



**KEY FEATURES**

- \*Universal Input
- \*Compact Size
- \*High Reliability
- \*I/O Isolation 4000Vac
- \*Operating Ambient Temperature Range -40°C to +70°C
- \*Safety Approval to IEC / EN / UL 62368-1
- \*Safety Approval to IEC / EN 60950-1
- \*Safety Approval to IEC / EN 60335-1
- \*Safety Approval to IEC / EN 60558-2-16

**ELECTRICAL SPECIFICATIONS**

**INPUT**

- \*Input range----- 90-305 Vac
- \*Frequency----- 47-440 Hz
- \*Input current----- 490mA max (Full load @115Vac)
- \*Inrush current----- 30A max (Cold start@115Vac,25°C)
- \*Efficiency----- (Refer next page)
- \*No load power consumption < 0.1W

**OUTPUT**

- \*Rating power----- 25W
- \*Line regulation----- +/-1% (typ)
- \*Load regulation----- +/-3% (typ)
- \*Hold up time----- 36ms min (@Full load & 230Vac 60Hz)
- \*Over power protection
- \*Over voltage protection
- \*Short circuit protection

**EMC**

- \*EMI --- EN55032 class B (Conduction & Radiation)
- \*EMS--- EN55035

**PHYSICAL**

- \*Dimensions----- 52.5 x 27.5 x 23.5 mm
- \*Case Material----- Plastic resin (flammability to UL 94V-0)

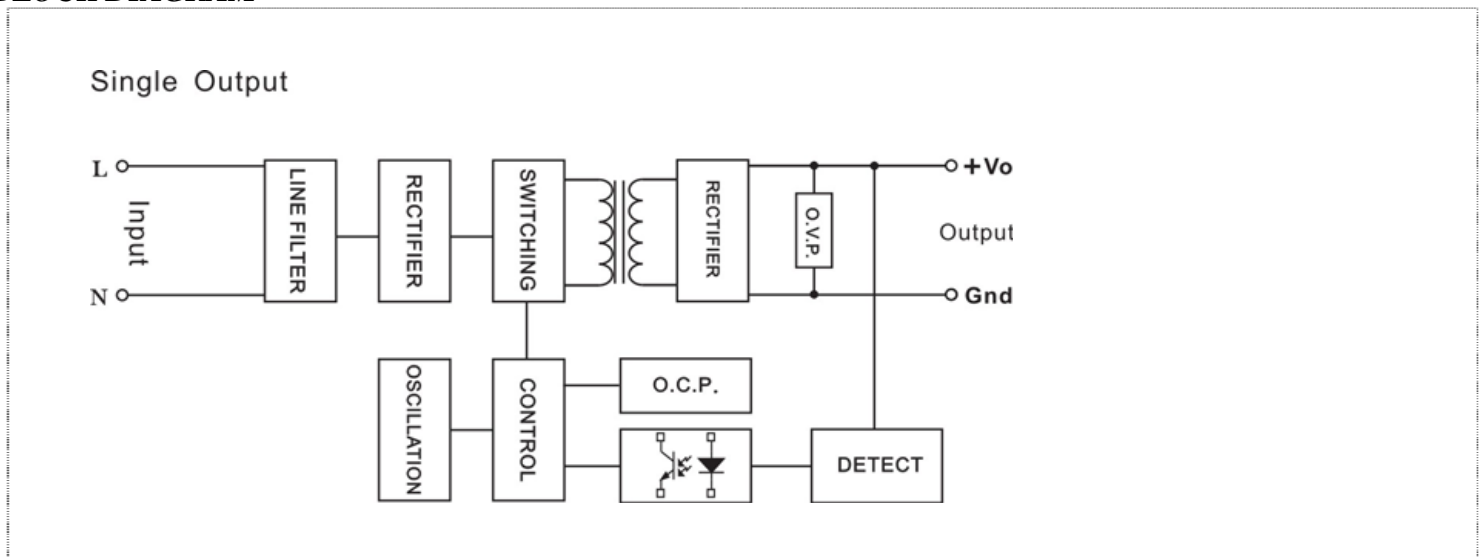
**APPLICATIONS**

- \*Telecommunications
- \*Test & industrial equipments

**ENVIRONMENTAL**

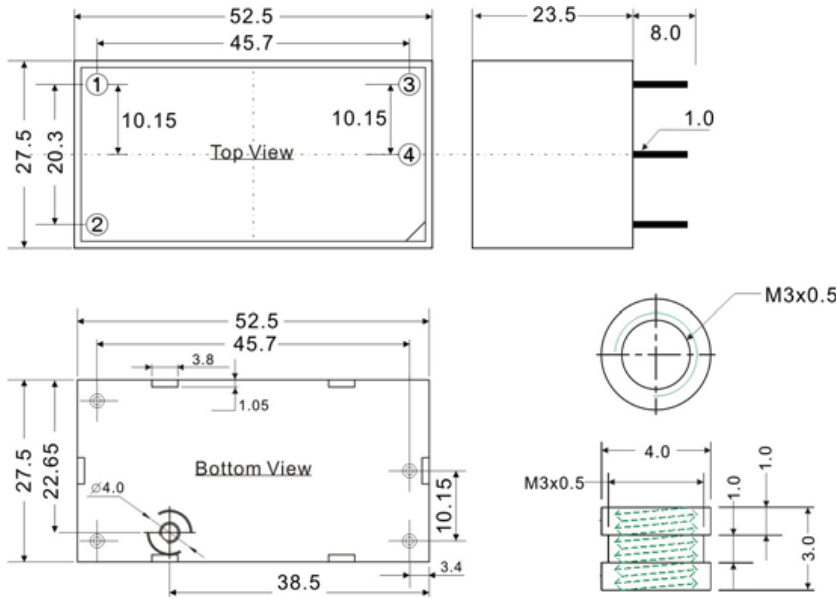
- \*Operating temperature:  
-40 to +70°C ambient (with derating)
- \*Humidity:  
Operating; non-condensing, 20% to 95%
- \*Storage temperature:  
-40 to +85°C
- \* Dielectric Strength (Hi-pot)  
Input to Output: 4000Vac / 10mA max / 60 second

**BLOCK DIAGRAM**



MODEL	OUTPUT VOLTAGE	OUTPUT CURRENT	RIPPLE & NOISE	EFFICIENCY (Typ.)	CAPACITOR LOAD (Max.)
AFCH25-5S	5 V	3922 mA	120 mV	84 %	2000 uF
AFCH25-12S	12 V	2083 mA	150 mV	88 %	680 uF
AFCH25-15S	15 V	1666 mA	160 mV	88 %	220 uF
AFCH25-24S	24 V	1042 mA	240 mV	87 %	220 uF

**MECHANICAL DIMENSIONS ( Unit : mm )**



PIN#	Single
1	AC IN (L)
2	AC IN (N)
3	+DC OUT
4	-DC OUT

**DERATING**

