



**KEY FEATURES**

- \*Universal Input
- \*High Reliability
- \*Adjustable Output Voltage
- \*Remote ON / OFF Control
- \*I/O Isolation 4300Vac
- \*Over-Voltage Category OVC III
- \*Operating Ambient Temperature Range -40°C to +85°C
- \*Safety Approval to IEC / EN / UL 62368-1

**ELECTRICAL SPECIFICATIONS**

**INPUT**

- \*Input range----- 90-264 Vac
- \*Frequency----- 47-63 Hz
- \*Input current----- 2A max (Full load @ 115Vac)
- \*Inrush current----- 45A max (Cold start@ 115Vac, 25°C)
- \*Efficiency----- (Refer next page)
- \*No load power consumption < 0.15W

**OUTPUT**

- \*Rating power----- 100W
- \*Line regulation----- +/-0.5% (typ)
- \*Load regulation----- +/-1% (typ)
- \*Hold up time----- 20ms min (@ Full load & 115Vac 60Hz)
- \*Over power protection
- \*Over voltage protection
- \*Short circuit protection

**EMC**

- \*EMI --- EN55032 class B (Conduction & Radiation)
- \*EMS--- EN55035

**PHYSICAL**

- \*Dimensions----- 89.0 x 63.5 x 27.6 mm
- \*Case Material----- Plastic resin (flammability to UL 94V-0)

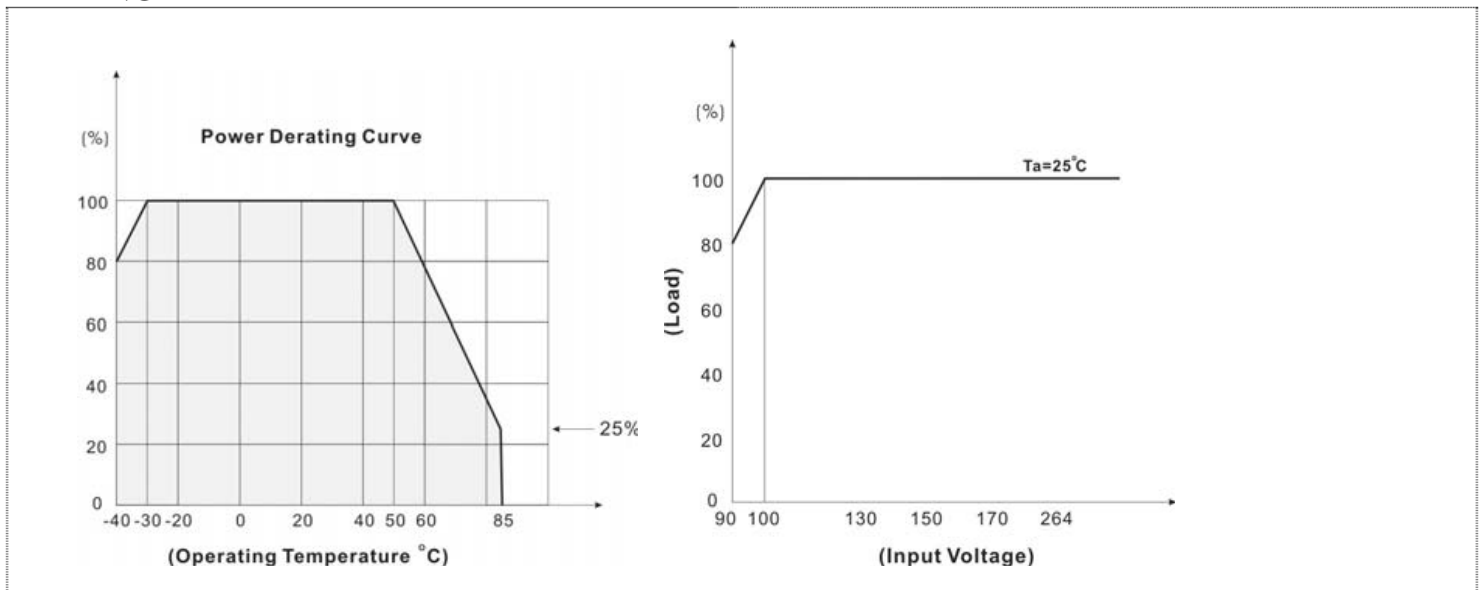
**APPLICATIONS**

- \*Telecommunications
- \*Test & industrial equipments

**ENVIRONMENTAL**

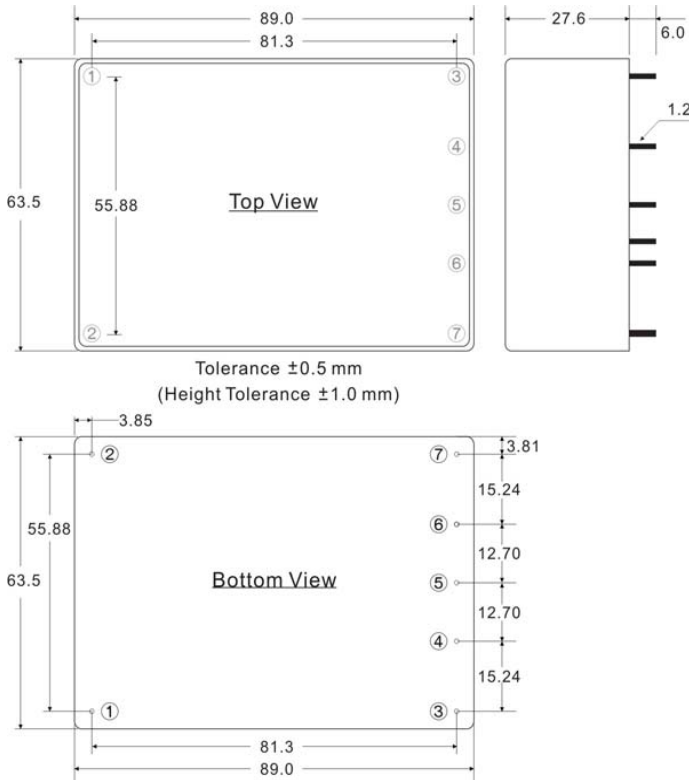
- \*Operating temperature: -40 to +85°C ambient (with derating)
- \*Humidity: Operating; non-condensing, 20% to 95%
- \*Storage temperature: -40 to +85°C
- \* Dielectric Strength (Hi-pot) Input to Output: 4300Vac / 10mA max / 60 second

**DERATING**



MODEL	OUTPUT VOLTAGE	OUTPUT CURRENT	RIPPLE & NOISE	EFFICIENCY (Typ.)	CAPACITOR LOAD (Max.)
AJCV100-12S	12 V	8333 mA	120 mV	93 %	4000 uF
AJCV100-24S	24 V	4166 mA	200 mV	93.5 %	2000 uF
AJCV100-48S	48 V	2083 mA	240 mV	93 %	1000 uF

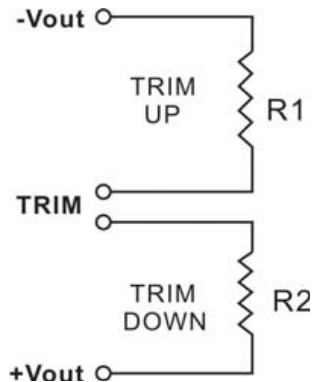
**MECHANICAL DIMENSIONS ( Unit : mm )**



PIN#	Φ	Single
1	1.2±0.1%mm	AC IN (N)
2	1.2±0.1%mm	AC IN (L)
3	1.2±0.1%mm	+DC OUT
4	1.2±0.1%mm	TRIM
5	1.2±0.1%mm	-DC OUT
6	1.2±0.1%mm	NO PIN
7	1.2±0.1%mm	ON / OFF

(Provide +5Vdc Controlled)

**TRIM**



	R1		R2	
12S	+5%	1%	-5%	-1%
	0	~ 150K	75K	~ 680K
24S	+5%	1%	-5%	-1%
	0	~ 680K	820K	~ 6.8M
48S	+5%	1%	-5%	-1%
	0	~ 330K	1M	~ 7.5M