

**KEY FEATURES**

- *Universal Input
- *Compact Size
- *High Reliability
- *I/O Isolation 4000Vac
- *Operating Ambient Temperature Range -40°C to +70°C
- *Safety Approval to IEC / EN / UL 62368-1
- *Safety Approval to IEC / EN 60950-1
- *Safety Approval to IEC / EN 60335-1
- *Safety Approval to IEC / EN 60558-2-16

ELECTRICAL SPECIFICATIONS**INPUT**

- *Input range----- 90-305 Vac
- *Frequency----- 47-440 Hz
- *Input current----- 1000mA max (Full load @115Vac)
- *Inrush current----- 45A max (Cold start@115Vac,25°C)
- *Efficiency----- (Refer next page)
- *No load power consumption < 0.1W

OUTPUT

- *Rating power----- 50W
- *Line regulation----- +/-2% (typ)
- *Load regulation----- +/-2.5% (typ)
- *Hold up time----- 30ms min (@Full load & 230Vac 60Hz)
- *Over power protection
- *Over voltage protection
- *Short circuit protection

EMC

- *EMI --- EN55032 class B (Conduction & Radiation)
- *EMS--- EN55035

PHYSICAL

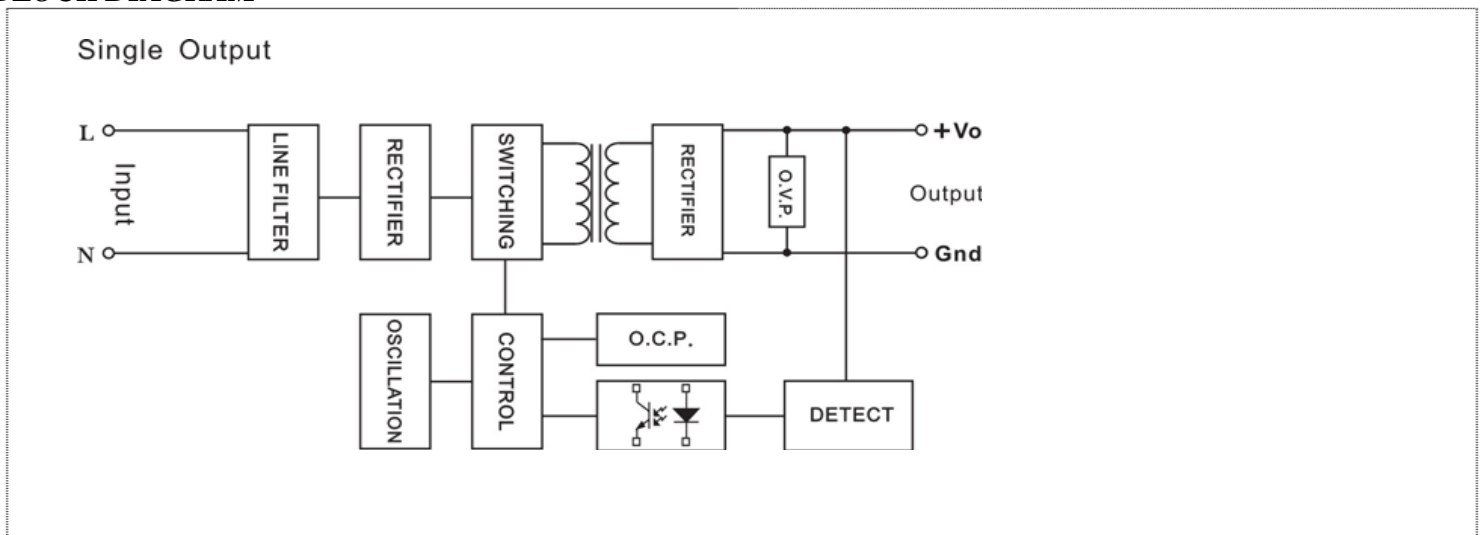
- *Dimensions----- 74.2 x 47.0 x 23.1 mm
- *Case Material----- Plastic resin (flammability to UL 94V-0)

APPLICATIONS

- *Telecommunications
- *Test & industrial equipments

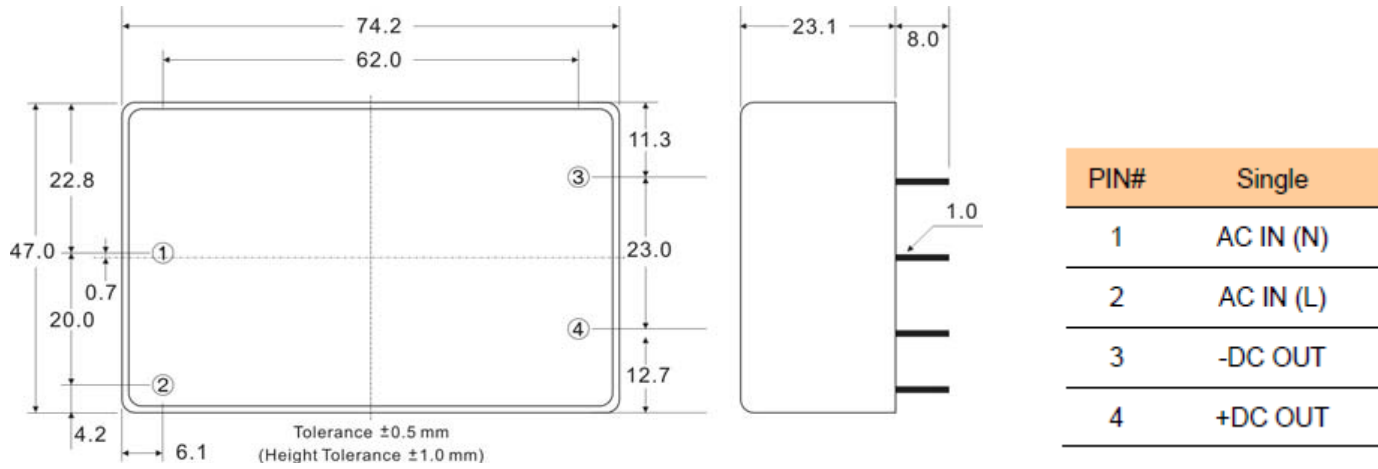
ENVIRONMENTAL

- *Operating temperature:
-40 to +70°C ambient (with derating)
- *Humidity:
Operating; non-condensing, 20% to 95%
- *Storage temperature:
-40 to +85°C
- * Dielectric Strength (Hi-pot)
Input to Output: 4000Vac / 10mA max / 60 second

BLOCK DIAGRAM

MODEL	OUTPUT VOLTAGE	OUTPUT CURRENT	RIPPLE & NOISE	EFFICIENCY (Typ.)	CAPACITOR LOAD (Max.)
MODEL SELECTION CHART					
ANCH50-12S	12 V	4167 mA	120 mV	89 %	3500 uF
ANCH50-15S	15 V	3333 mA	150 mV	88 %	3000 uF
ANCH50-24S	24 V	2083 mA	240 mV	88 %	2200 uF

MECHANICAL DIMENSIONS (Unit : mm)



DERATING

