

**KEY FEATURES**

- \*Universal Input
- \*Compact Size
- \*High Reliability
- \*I/O Isolation 4000Vac
- \*Operating Ambient Temperature Range -40°C to +70°C
- \*Safety Approval to IEC / EN / UL 62368-1
- \*Safety Approval to IEC / EN 60950-1
- \*Safety Approval to IEC / EN 60335-1
- \*Safety Approval to IEC / EN 60558-2-16

**ELECTRICAL SPECIFICATIONS****INPUT**

- \*Input range----- 90-305 Vac
- \*Frequency----- 47-440 Hz
- \*Input current----- 150mA max (Full load @115Vac)
- \*Inrush current----- 30A max (Cold start@115Vac,25°C)
- \*Efficiency----- (Refer next page)
- \*No load power consumption < 0.1W

**OUTPUT**

- \*Rating power----- 5W
- \*Line regulation----- +/-0.2% (typ)
- \*Load regulation----- +/-1% (typ)
- \*Hold up time----- 15ms min (@Full load & 115Vac 60Hz)
- \*Over power protection
- \*Over voltage protection
- \*Short circuit protection

**EMC**

- \*EMI --- EN55032 class B (Conduction & Radiation)
- \*EMS--- EN55035

**PHYSICAL**

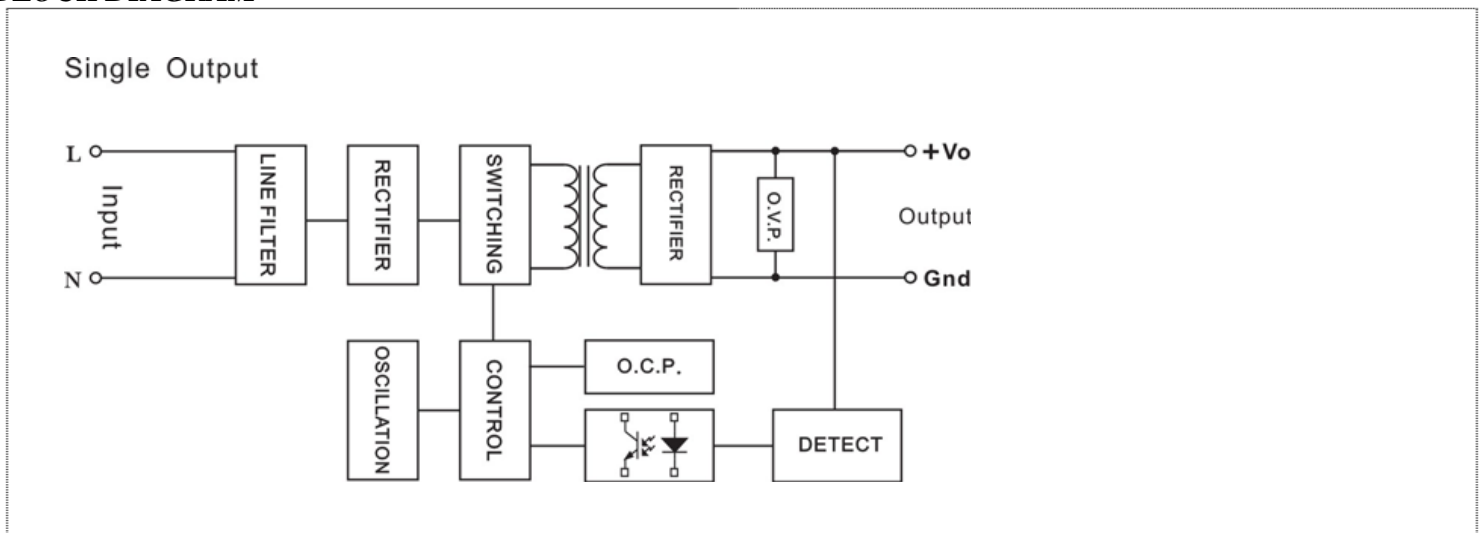
- \*Dimensions----- 37.0 x 27.5 x 17.5 mm
- \*Case Material----- Plastic resin (flammability to UL 94V-0)

**APPLICATIONS**

- \*Telecommunications
- \*Test & industrial equipments

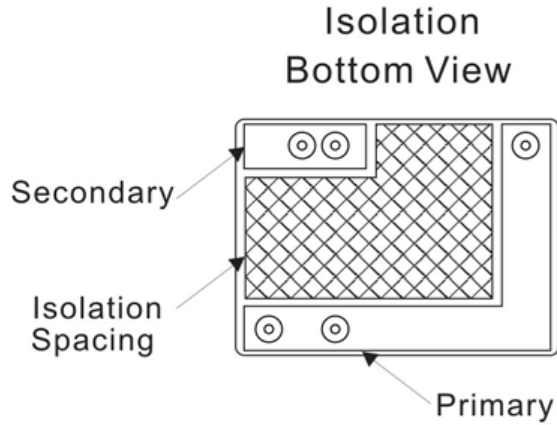
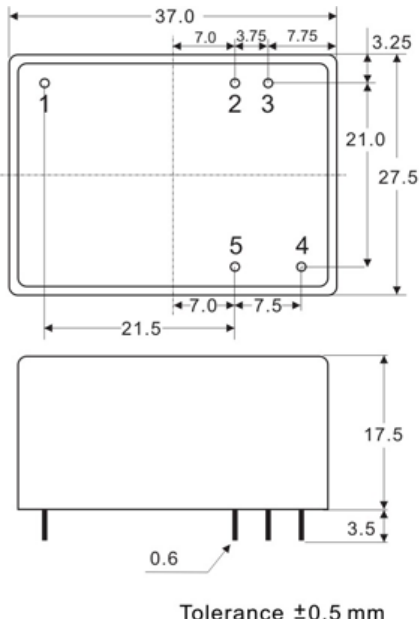
**ENVIRONMENTAL**

- \*Operating temperature:  
-40 to +70°C ambient (with derating)
- \*Humidity:  
Operating; non-condensing, 20% to 95%
- \*Storage temperature:  
-40 to +85°C
- \* Dielectric Strength (Hi-pot)  
Input to Output: 4000Vac / 10mA max / 60 second

**BLOCK DIAGRAM**

MODEL	OUTPUT VOLTAGE	OUTPUT CURRENT	RIPPLE & NOISE	EFFICIENCY (Typ.)	CAPACITOR LOAD (Max.)
<b>MODEL SELECTION CHART</b>					
AOCH05-3.3S	3.3 V	1515 mA	100 mV	72 %	3500 uF
AOCH05-5S	5 V	1000 mA	100 mV	77 %	2500 uF
AOCH05-12S	12 V	420 mA	150 mV	81 %	470 uF
AOCH05-24S	24 V	210 mA	200 mV	83 %	150 uF

**MECHANICAL DIMENSIONS ( Unit : mm )**



PIN#	Single
1	NO CONNECT
2	+Vo
3	GND
4	AC IN (L)
5	AC IN (N)

**DERATING**

