



KEY FEATURES

- *Universal Input
- *Compact Size
- *High Reliability
- *I/O Isolation 4000Vac
- *Operating Ambient Temperature Range -40°C to +70°C
- *Safety Approval to IEC / EN / UL 62368-1
- *Safety Approval to IEC / EN 60950-1
- *Safety Approval to IEC / EN 60335-1
- *Safety Approval to IEC / EN 60558-2-16

ELECTRICAL SPECIFICATIONS

INPUT

- *Input range----- 90-305 Vac
- *Frequency----- 47-440 Hz
- *Input current----- 230mA max (Full load @115Vac)
- *Inrush current----- 30A max (Cold start@115Vac,25°C)
- *Efficiency----- (Refer next page)
- *External Fuse----- 2A(slow blow type)(mandatory)
- *No load power consumption < 0.1W

OUTPUT

- *Rating power----- 10W
- *Line regulation----- +/-0.2% (typ)
- *Load regulation----- +/-1% (typ)
- *Hold up time----- 30ms min (@Full load & 230Vac 60Hz)
- *Over power protection
- *Over voltage protection
- *Short circuit protection

EMC

- *EMI --- EN55032 class B (Conduction & Radiation)
- *EMS--- EN55035

PHYSICAL

- *Dimensions----- 37.0 x 27.5 x 20.0 mm
- *Case Material----- Plastic resin (flammability to UL 94V-0)

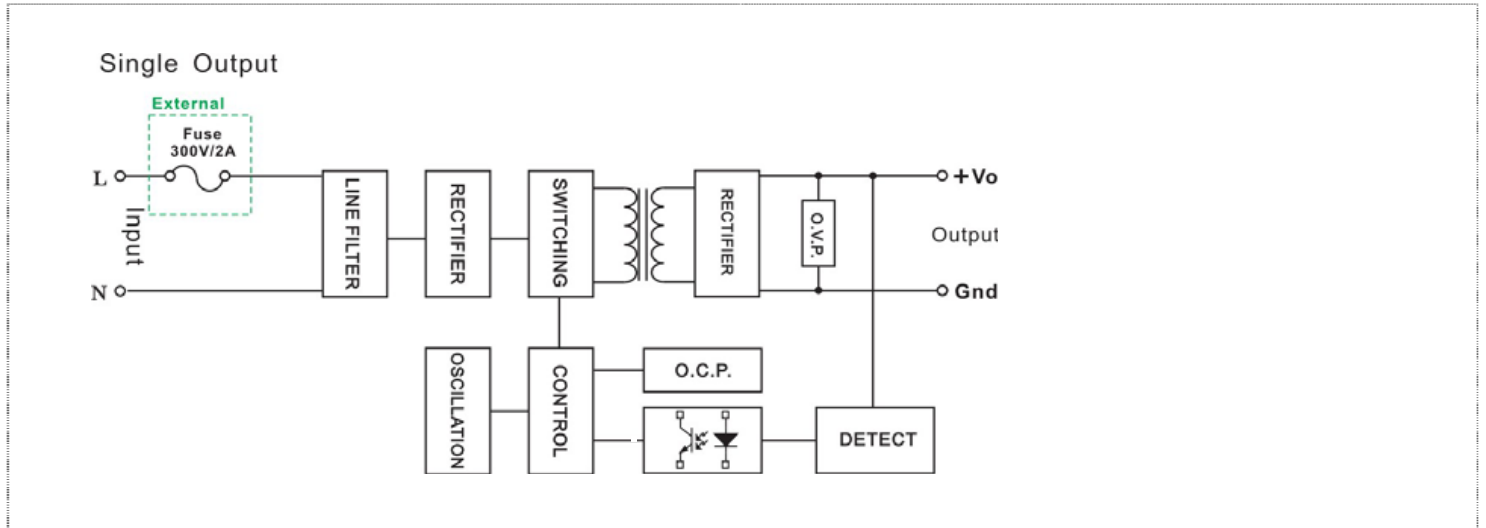
APPLICATIONS

- *Telecommunications
- *Test & industrial equipments

ENVIRONMENTAL

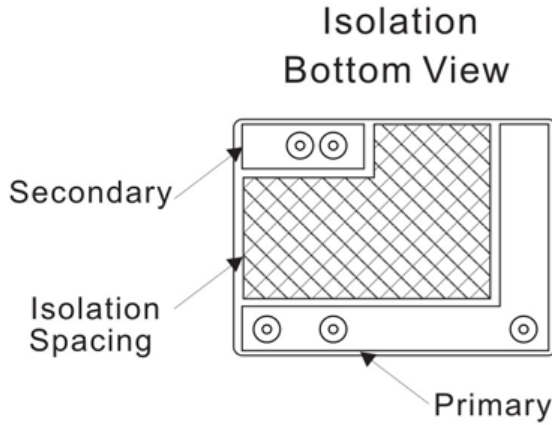
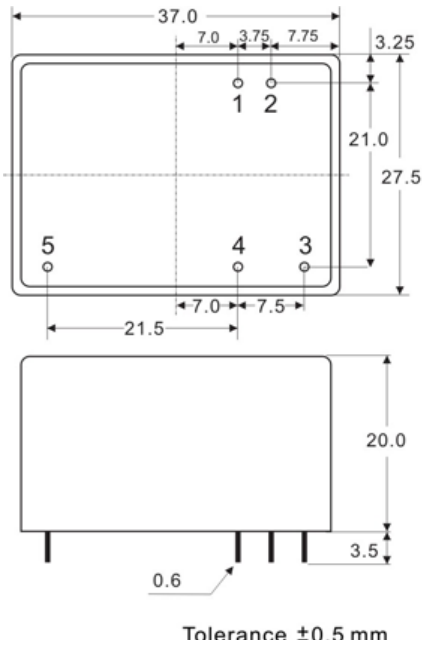
- *Operating temperature:
-40 to +70°C ambient (with derating)
- *Humidity:
Operating; non-condensing, 20% to 95%
- *Storage temperature:
-40 to +85°C
- * Dielectric Strength (Hi-pot)
Input to Output: 4000Vac / 10mA max / 60 second

BLOCK DIAGRAM



MODEL	OUTPUT VOLTAGE	OUTPUT CURRENT	RIPPLE & NOISE	EFFICIENCY (Typ.)	CAPACITOR LOAD (Max.)
AOCH10-5S	5 V	2000 mA	150 mV	81 %	3500 uF
AOCH10-12S	12 V	833 mA	150 mV	85 %	700 uF
AOCH10-15S	15 V	667 mA	160 mV	86 %	390 uF
AOCH10-24S	24 V	417 mA	240 mV	86 %	180 uF

MECHANICAL DIMENSIONS (Unit : mm)



PIN#	Single
1	+Vo
2	GND
3	AC IN (L)
4	AC IN (N)
5	NC CONNECT

DERATING

