



KEY FEATURES

- *Universal Input
- *Compact Size
- *High Reliability
- *I/O Isolation 4000Vac
- *Operating Ambient Temperature Range -40°C to +85°C
- *Safety Approval to IEC / EN / UL 62368-1
- *Safety Approval to IEC / EN 60950-1

ELECTRICAL SPECIFICATIONS

INPUT

- *Input range----- 90-305 Vac
- *Frequency----- 47-440 Hz
- *Input current----- 1500mA max (Full load @115Vac)
- *Inrush current----- 45A max (Cold start@115Vac,25°C)
- *Efficiency----- (Refer next page)
- *No load power consumption < 0.1W

OUTPUT

- *Rating power----- 60W
- *Line regulation----- +/-2% (typ)
- *Load regulation----- +/-2.5% (typ)
- *Hold up time----- 30ms min (@Full load & 230Vac 60Hz)
- *Over power protection
- *Over voltage protection
- *Short circuit protection

EMC

- *EMI --- EN55032 class B (Conduction & Radiation)
- *EMS--- EN55035

PHYSICAL

- *Dimensions----- 74.2 x 47.0 x 23.1 mm
- *Case Material----- Plastic resin (flammability to UL 94V-0)

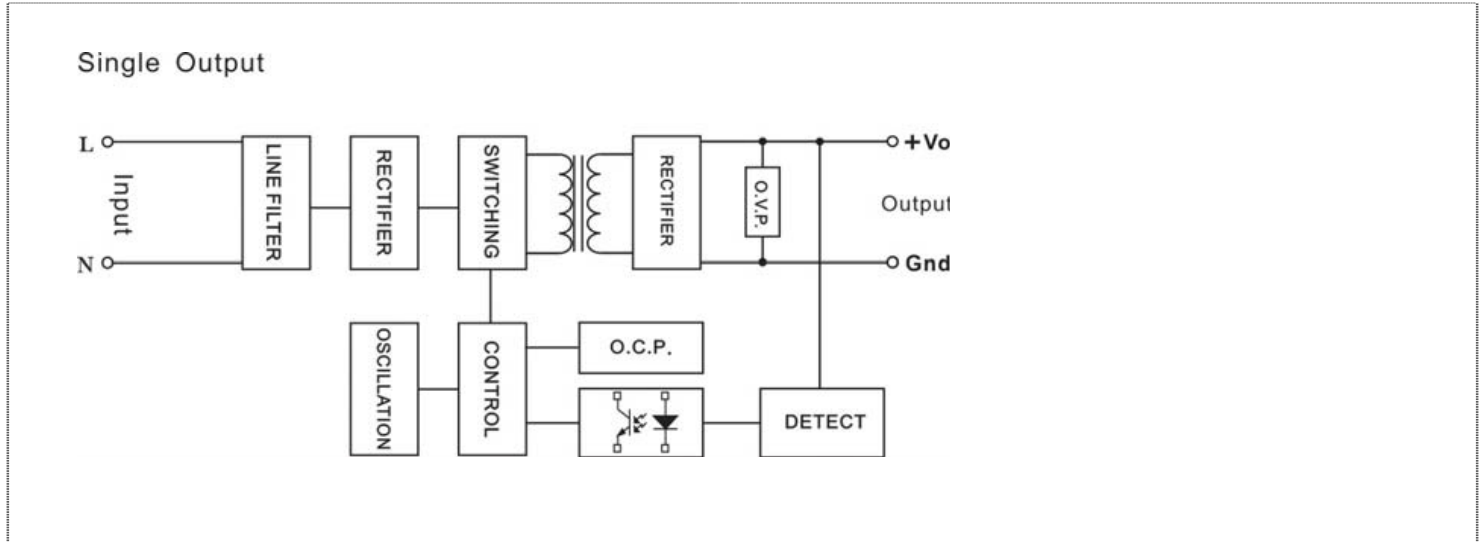
APPLICATIONS

- *Telecommunications
- *Test & industrial equipments

ENVIRONMENTAL

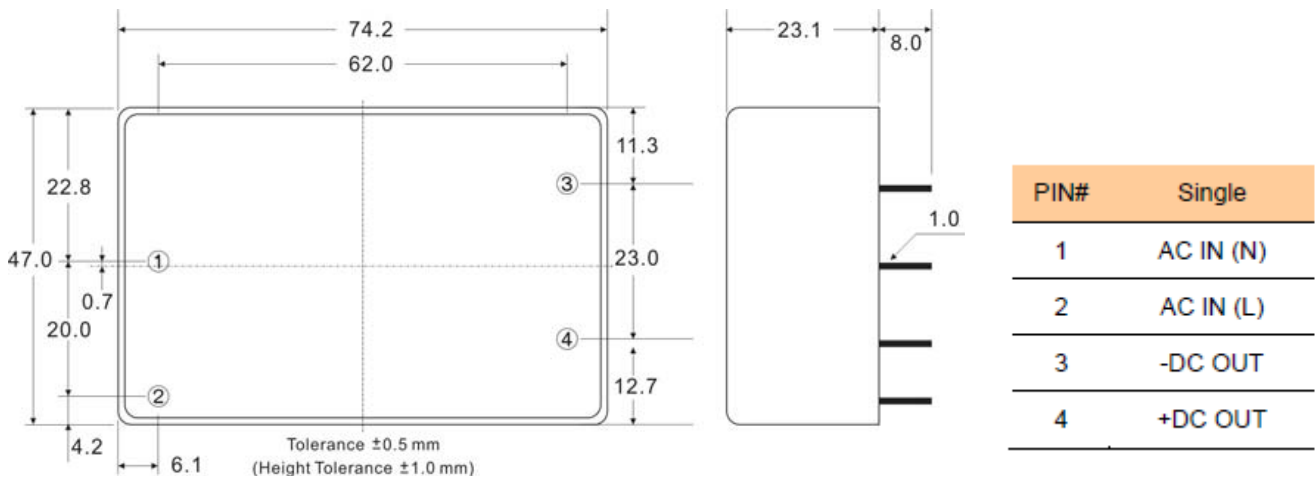
- *Operating temperature: -40 to +85°C ambient (with derating)
- *Humidity: Operating; non-condensing, 20% to 95%
- *Storage temperature: -40 to +85°C
- * Dielectric Strength (Hi-pot) Input to Output: 4000Vac / 10mA max / 60 second

BLOCK DIAGRAM



MODEL	OUTPUT VOLTAGE	OUTPUT CURRENT	RIPPLE & NOISE	EFFICIENCY (Typ.)	CAPACITOR LOAD (Max.)
MODEL SELECTION CHART					
ARC60-12S	12 V	5000 mA	120 mV	90 %	6000 uF
ARC60-15S	15 V	4000 mA	150 mV	90 %	5000 uF
ARC60-24S	24 V	2500 mA	240 mV	89 %	1200 uF

MECHANICAL DIMENSIONS (Unit : mm)(Top View)



DERATING

