



KEY FEATURES

- *Universal Input
- *Compact Size
- *High Reliability
- *Isolation Class II
- *Safety Approval to IEC / EN 62368-1

ELECTRICAL SPECIFICATIONS

INPUT

- *Input range----- 90-305 Vac
- *Frequency----- 47-63 Hz
- *Input current----- 75mA max (Full load @ 115Vac)
- *Inrush current----- 30A max (Cold start @ 115Vac, 25°C)
- *Efficiency----- (Refer next page)
- *External Fuse----- 3.15A (slow blow type) (mandatory)

OUTPUT

- *Rating power----- 2W
- *Line regulation----- +/-5%
- *Load regulation----- +/-6% (10%-100% Load)
- *Turn on delay time- 3s max (@ Full load & 115Vac 60Hz)
- *Hold up time----- 15ms min (@ Full load & 115Vac 60Hz)
- *Over power protection
- *Short circuit protection

EMC

- *EMI --- EN55032 Class B (Conduction & Radiation)
- *EMS--- EN55024

PHYSICAL

- *Dimensions----- 33.7 x 22.2 x 17.0 mm
- *Fully Encapsulated Plastic Case

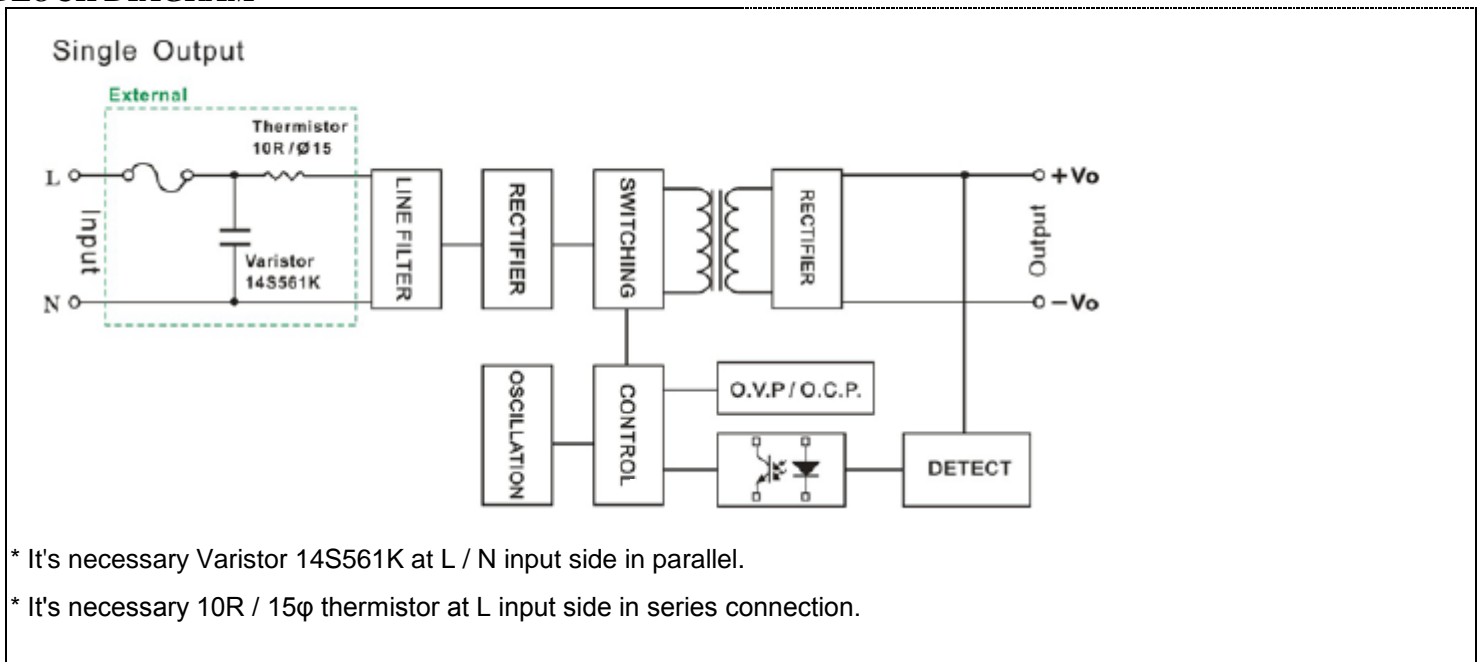
APPLICATIONS

- *Telecommunications
- *Test & industrial equipments

ENVIRONMENTAL

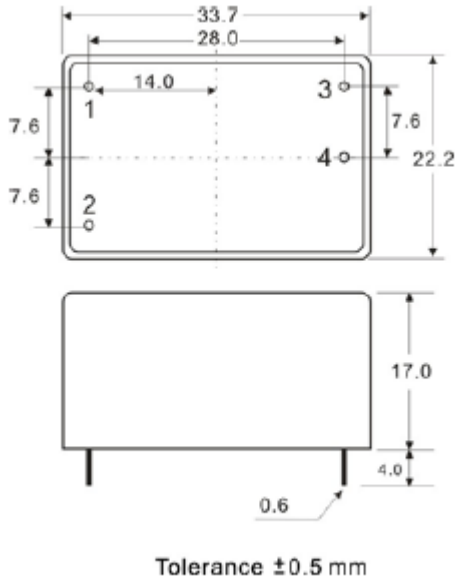
- *Operating temperature: -40 to +80°C ambient
- *Humidity: Operating; non-condensing, 20% to 95%
- *Storage temperature: -40 to +85°C
- * Dielectric Strength(Hi-pot) Primary to Secondary: 3000Vac/10mA max / 60 second

BLOCK DIAGRAM



MODEL	OUTPUT VOLTAGE	OUTPUT CURRENT	RIPPLE & NOISE	EFFICIENCY (Typ.)	CAPACITOR LOAD (Max.)
MODEL SELECTION CHART					
AYC-3.3S	3.3 V	600 mA	300 mV	66 %	7000 uF
AYC-5S	5 V	400 mA	300 mV	70 %	4000 uF
AYC-9S	9 V	220 mA	300 mV	73 %	1200 uF
AYC-12S	12 V	167 mA	300 mV	73 %	500 uF
AYC-15S	15 V	133 mA	300 mV	73 %	350 uF
AYC-24S	24 V	83 mA	300 mV	75 %	110 uF

MECHANICAL DIMENSIONS (TOP VIEW) (Unit : mm)



PIN#	Single
1	AC IN (N)
2	AC IN (L)
3	-DC OUT
4	+DC OUT

DERATING

