



**KEY FEATURES**

- \*Universal Input
- \*Compact Size
- \*High Reliability
- \*Isolation Class II
- \*Safety Approval to IEC / UL 60601-1
- \*Safety Approval to IEC / UL 60950-1

**ELECTRICAL SPECIFICATIONS**

**INPUT**

- \*Input range----- 90-264 Vac
- \*Frequency----- 47-440 Hz
- \*Input current----- 385mA max (Full load @ 115Vac)
- \*Inrush current----- 20A max (Cold start@ 115Vac, 25°C)
- \*Efficiency----- (Refer next page)
- \*No load power consumption < 0.1W
- \*External Fuse----- 3.15A (slow blow type) (recommend)

**OUTPUT**

- \*Rating power----- 15W
- \*Line regulation----- +/-0.5% (typ)
- \*Load regulation----- +/-1% (5%-100%) (typ)
- \*Hold up time----- 15ms min (@ Full load & 115Vac 60Hz)
- \*Over power protection
- \*Over voltage protection
- \*Short circuit protection

**EMC**

- \*EMI --- EN55011 class B (Conduction & Radiation)
- \*EMS --- EN60601-1-2

**PHYSICAL**

- \*Dimensions----- 52.5 x 27.5 x 23.5 mm
- \*Case Material----- Plastic resin (flammability to UL 94V-0)

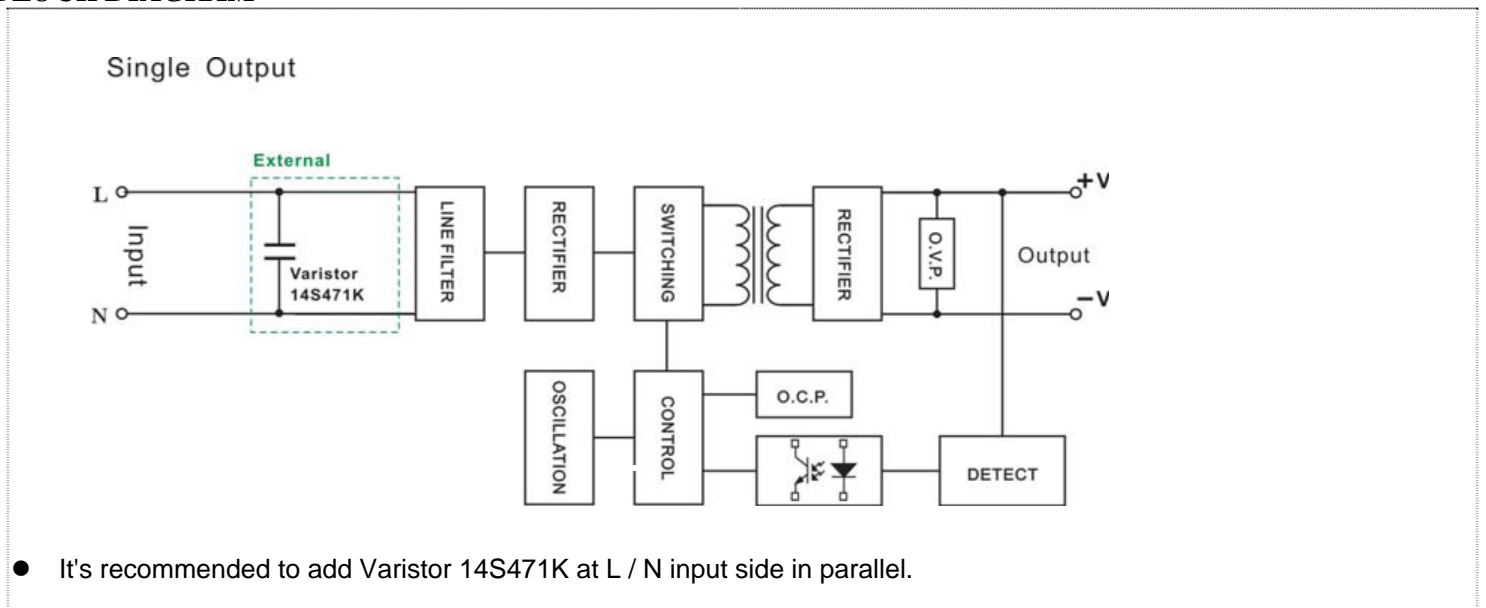
**APPLICATIONS**

- \*Medical equipments
- \*Test & industrial equipments

**ENVIRONMENTAL**

- \*Operating temperature: -40 to +80°C ambient (with derating)
- \*Humidity: Operating; non-condensing, 20% to 95%
- \*Storage temperature: -40 to +90°C
- \* Dielectric Strength (Hi-pot) Input to Output: 4000Vac / 10mA max / 60 second

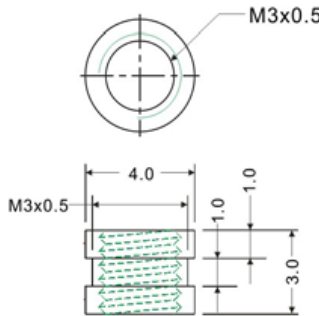
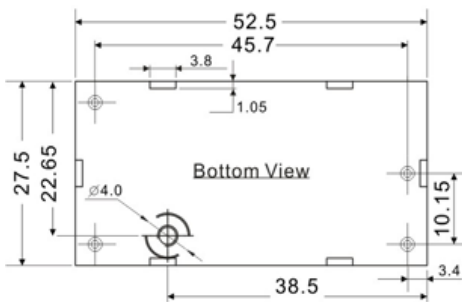
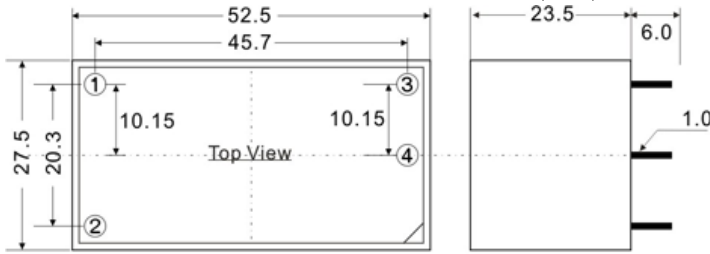
**BLOCK DIAGRAM**



● It's recommended to add Varistor 14S471K at L / N input side in parallel.

MODEL	OUTPUT VOLTAGE	OUTPUT CURRENT	RIPPLE & NOISE	EFFICIENCY (Typ.)	CAPACITOR LOAD (Max.)
<b>MODEL SELECTION CHART</b>					
MFC-5S	5 V	3000 mA	120 mV	79 %	7000 uF
MFC-9S	9 V	1666 mA	120 mV	80 %	5000 uF
MFC-12S	12 V	1250 mA	120 mV	84 %	1500 uF
MFC-15S	15 V	1000 mA	150 mV	84 %	1000 uF
MFC-24S	24 V	625 mA	240 mV	85 %	470 uF

**MECHANICAL DIMENSIONS ( Unit : mm ) ( Tolerance  $\pm 0.5mm$  )**



PIN#	Single
1	AC IN (L)
2	AC IN (N)
3	+DC OUT
4	-DC OUT

**DERATING**

