



KEY FEATURES

- *Universal Input
- *Compact Size
- *High Reliability
- *With P.F.C Function > 0.9
- *Safety Approval to IEC / EN / UL 60601 3.1 Edition
- *4000Vac Input to Output 2MOPP Insulation

ELECTRICAL SPECIFICATIONS

INPUT

- *Input range----- 90-264 Vac
- *Frequency----- 47-63 Hz
- *Input current----- 2A max (Full load @115Vac)
- *Inrush current----- 40A max (Cold start@115Vac,25°C)
- *Efficiency----- (Refer next page)
- *No load power consumption < 0.3W

OUTPUT

- *Rating power----- 100W
- *Trim----- +/-10% Output Voltage
- *Line regulation----- +/-1% (typ)
- *Load regulation----- +/-1% (typ)
- *Hold up time----- 10ms min (@Full load & 115Vac 60Hz)
- *Over power protection
- *Over voltage protection
- *Short circuit protection
- *Over temperature protection

EMC

- *EMI --- (Conduction) EN55011 class B
(Radiation) EN55011 Class I class B
Class II class A
- *EMS--- EN60601-1-2

PHYSICAL

- *Dimensions----- 83.8 x 58.4 x 35.0 mm

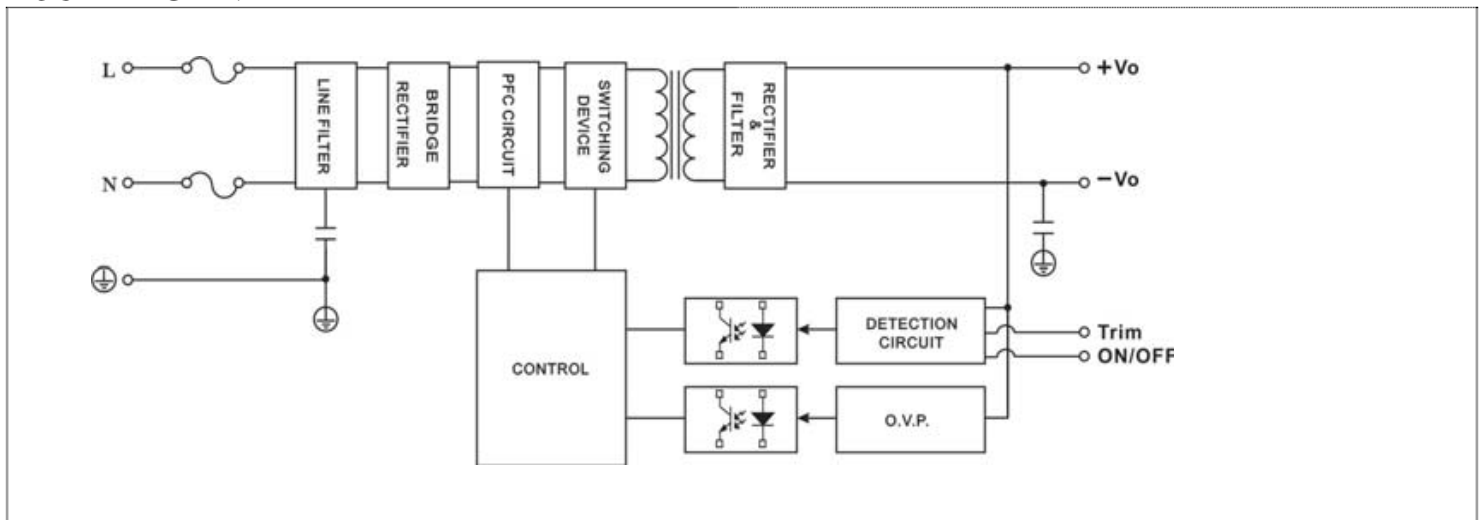
APPLICATIONS

- *Medical equipments
- *Test & industrial equipments

ENVIRONMENTAL

- *Operating temperature:
-30 to +70°C ambient (with derating)
- *Humidity:
Operating; non-condensing, 20% to 95%
- *Storage temperature:
-30 to +85°C
- * Dielectric Strength (Hi-pot)
Input to Output: 4000Vac / 10mA max / 60 second
Input to PE : 2000Vac / 10mA max / 60 second
Output to PE : 1500Vac / 10mA max / 60 second

BLOCK DIAGRAM

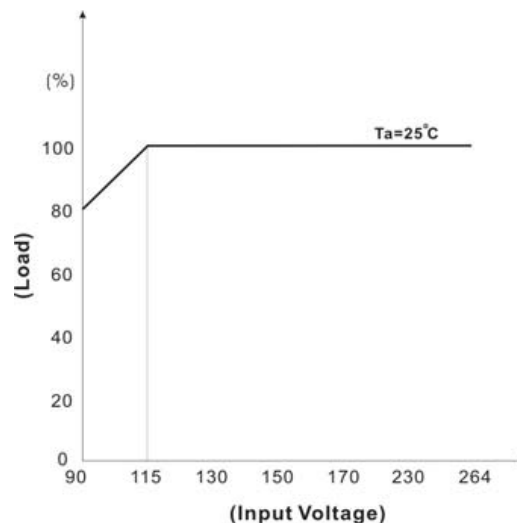
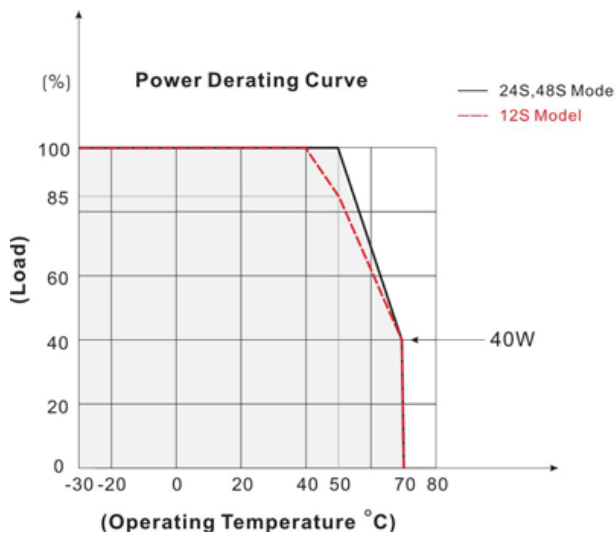


MODEL	OUTPUT VOLTAGE	OUTPUT CURRENT	RIPPLE & NOISE	EFFICIENCY (Typ.)	CAPACITOR LOAD (Max.)
MODEL SELECTION CHART					
MQCS100-12S	12 V	8.333 A	160 mV	90 %	3000 uF
MQCS100-24S	24 V	4.167 A	240 mV	90 %	1500 uF
MQCS100-48S	48 V	2.083 A	480 mV	90 %	500 uF

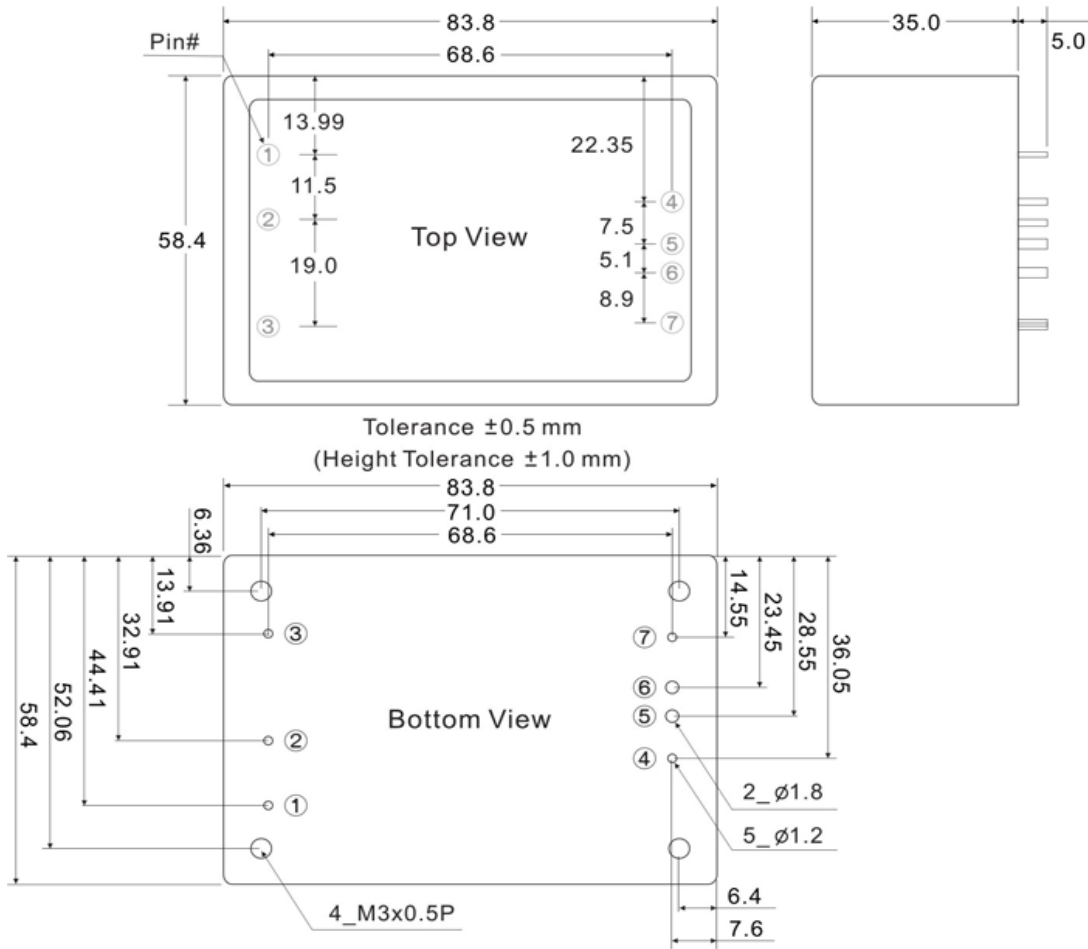
TRIM

	12S		24S		48S	
Trim → -V	+10%	0%	+10%	0%	+10%	0%
	16KΩ	~ 10M	17KΩ	~ 10M	20KΩ	~ 10M
Trim → +V	0%	-10%	0%	-10%	0%	-10%
	10M	~ 45KΩ	10M	~ 125KΩ	10M	~ 280KΩ

DERATING



MECHANICAL DIMENSIONS (Unit : mm)



PIN#	Φ	Single
1	1.2±0.3mm	PE
2	1.2±0.3mm	AC IN (N)
3	1.2±0.3mm	AC IN (L)
4	1.2±0.3mm	ON / OFF
(Provide +5Vdc Controlled)		
5	1.8±0.3mm	+DC OUT
6	1.8±0.3mm	-DC OUT
7	1.2±0.3mm	Trim

Remark:

Please reserve the pin 4 hole on PCB.

If the remote on/off function is not required, please connect the pin 4 circuit layout with pin6, or keep pin 4 floating.