



**KEY FEATURES**

- \*Universal Input
- \*Compact Size
- \*High Reliability
- \*Isolation Class II
- \*Safety Approval to IEC / UL 60601-1
- \*Safety Approval to IEC / UL 60950-1

**ELECTRICAL SPECIFICATIONS**

**INPUT**

- \*Input range----- 90-264 Vac
- \*Frequency----- 47-440 Hz
- \*Input current----- 1.5A max (Full load @115Vac)
- \*Inrush current----- 55A max (Cold start@115Vac,25°C)
- \*Efficiency----- (Refer next page)
- \*No load power consumption < 0.3W
- \*External Fuse----- 3.15A(slow blow type)(recommend)

**OUTPUT**

- \*Rating power----- (5V: 51W , others: 60W)
- \*Line regulation----- +/-0.5% (typ)
- \*Load regulation----- +/-1.5% (5%-100%)(typ)
- \*Hold up time----- 10ms min (@Full load & 115Vac 60Hz)
- \*Over power protection
- \*Over voltage protection
- \*Short circuit protection

**EMC**

- \*EMI --- EN55011 class B (Conduction & Radiation)
- \*EMS--- EN60601-1-2

**PHYSICAL**

- \*Dimensions----- 89.0 x 63.5 x 27.6 mm
- \*Case Material----- Plastic resin (flammability to UL 94V-0 )

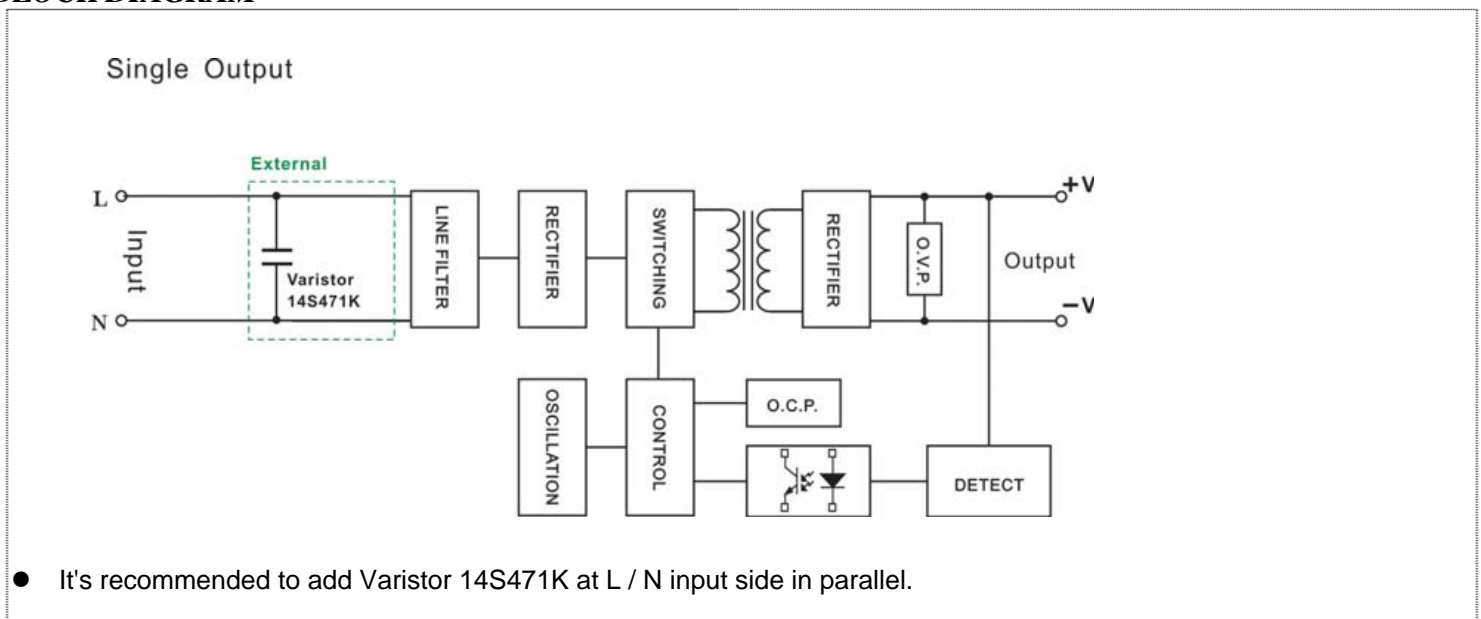
**APPLICATIONS**

- \*Medical equipments
- \*Test & industrial equipments

**ENVIRONMENTAL**

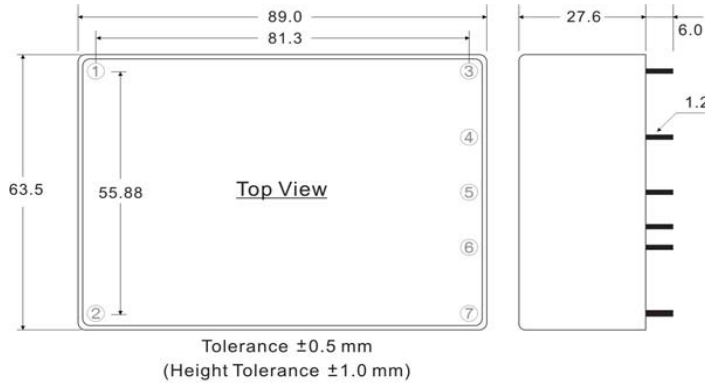
- \*Operating temperature:  
-40 to +80°C ambient (with derating)
- \*Humidity:  
Operating; non-condensing, 20% to 95%
- \*Storage temperature:  
-40 to +90°C
- \* Dielectric Strength (Hi-pot)  
Input to Output: 4000Vac / 10mA max / 60 second

**BLOCK DIAGRAM**

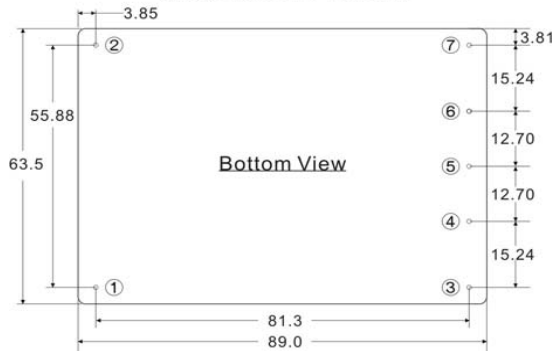


MODEL	OUTPUT VOLTAGE	OUTPUT CURRENT	RIPPLE & NOISE	EFFICIENCY (Typ.)	CAPACITOR LOAD (Max.)
<b>MODEL SELECTION CHART</b>					
MSC60-5S	5.1 V	10000 mA	100 mV	86 %	7000 uF
MSC60-9S	9 V	6666 mA	100 mV	87 %	5000 uF
MSC60-12S	12 V	5000 mA	120 mV	88 %	1500 uF
MSC60-15S	15 V	4000 mA	150 mV	86 %	1000 uF
MSC60-24S	24 V	2500 mA	240 mV	87 %	470 uF

**MECHANICAL DIMENSIONS ( Unit : mm )**



PIN#	Single
1	AC IN (L)
2	AC IN (N)
3	+DC OUT
4	NO PIN
5	-DC OUT
6	NO PIN
7	NO PIN



**DERATING**

