



KEY FEATURES

- *Universal Input
- *Compact Size
- *High Reliability
- *Isolation Class II
- *Safety Approval to IEC / UL 60601-1
- *Safety Approval to IEC / UL 60950-1

ELECTRICAL SPECIFICATIONS

INPUT

- *Input range----- 90-264 Vac
- *Frequency----- 47-440 Hz
- *Input current----- 650mA max (Full load @ 115Vac)
- *Inrush current----- 30A max (Cold start@ 115Vac,25°C)
- *Efficiency----- (Refer next page)
- *No load power consumption < 0.15W
- *External Fuse----- 3.15A(slow blow type)(recommend)

OUTPUT

- *Rating power----- (5V: 25W , others: 30W)
- *Line regulation----- +/-0.5% (typ)
- *Load regulation----- +/-1% (10%-100%)(typ)
- *Hold up time----- 10ms min (@Full load & 115Vac 60Hz)
- *Over power protection
- *Over voltage protection
- *Short circuit protection

EMC

- *EMI --- EN55011 class B (Conduction & Radiation)
- *EMS--- EN60601-1-2

PHYSICAL

- *Dimensions----- 64.1 x 45.6 x 23.5 mm
- *Case Material----- Plastic resin (flammability to UL 94V-0)

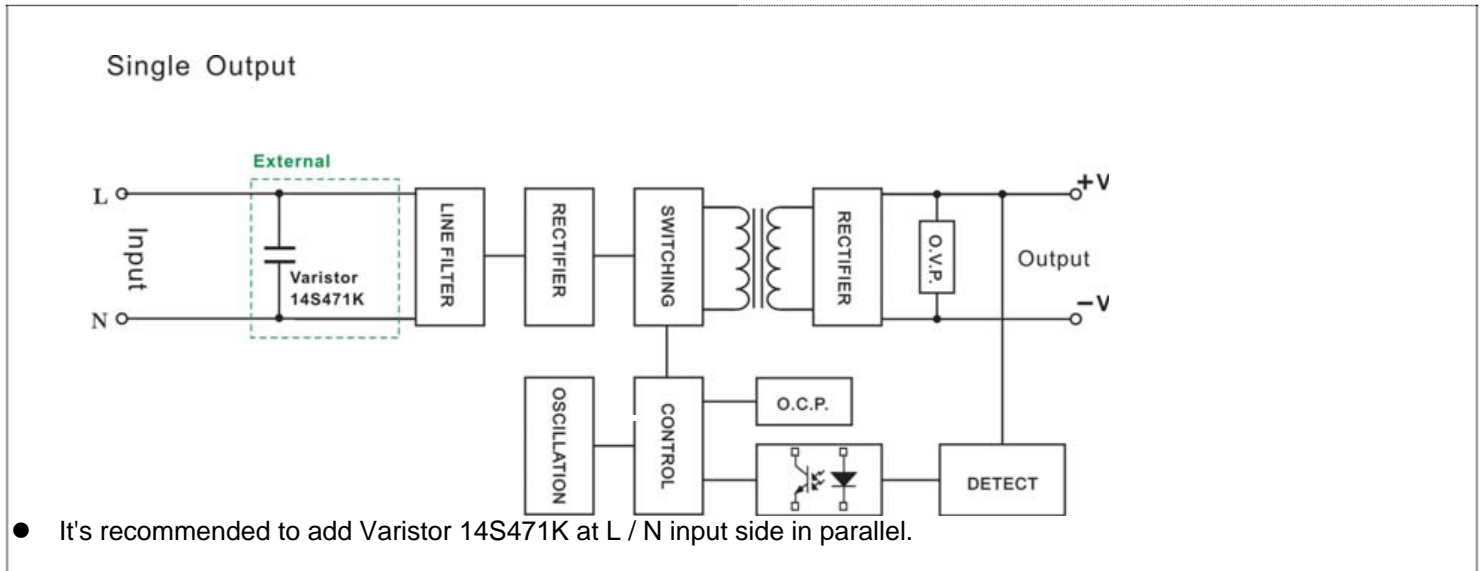
APPLICATIONS

- *Medical equipments
- *Test & industrial equipments

ENVIRONMENTAL

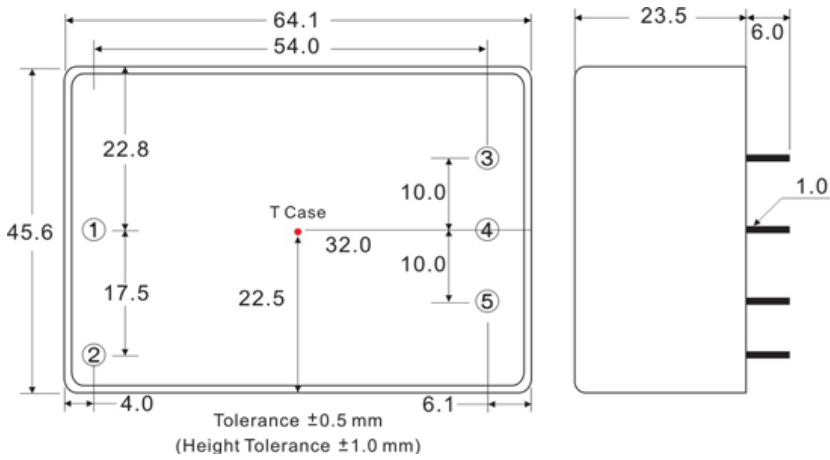
- *Operating temperature: -40 to +80°C ambient (with derating)
- *Humidity: Operating; non-condensing, 20% to 95%
- *Storage temperature: -40 to +90°C
- * Dielectric Strength (Hi-pot) Input to Output: 4000Vac / 10mA max / 60 second

BLOCK DIAGRAM



MODEL	OUTPUT VOLTAGE	OUTPUT CURRENT	RIPPLE & NOISE	EFFICIENCY (Typ.)	CAPACITOR LOAD (Max.)
MODEL SELECTION CHART					
MTC30-5S	5 V	5000 mA	100 mV	84 %	6800 uF
MTC30-12S	12 V	2500 mA	150 mV	89 %	1600 uF
MTC30-15S	15 V	2000 mA	150 mV	86 %	1200 uF
MTC30-24S	24 V	1250 mA	240 mV	86 %	470 uF

MECHANICAL DIMENSIONS (Unit : mm) (TOP VIEW)



PIN#	Single
1	AC IN (N)
2	AC IN (L)
3	-DC OUT
4	NO PIN
5	+DC OUT

DERATING

