



KEY FEATURES

- *Universal Input
- *Compact Size
- *High Reliability
- *Isolation Class II
- *Safety Approval to IEC / UL 60601-1
- *Safety Approval to IEC / UL 60950-1

ELECTRICAL SPECIFICATIONS

INPUT

- *Input range----- 90-264 Vac
- *Frequency----- 47-440 Hz
- *Input current----- 440mA max (Full load @ 115Vac)
- *Inrush current----- 20A max (Cold start@ 115Vac, 25°C)
- *Efficiency----- (Refer next page)
- *No load power consumption < 0.1W
- *External Fuse----- 3.15A(slow blow type)(recommend)

OUTPUT

- *Rating power----- 20W
- *Line regulation----- +/-0.5% (typ)
- *Load regulation----- +/-1% (10%-100%)(typ)
- *Hold up time----- 6ms min (@ Full load & 115Vac 60Hz)
- *Over power protection
- *Over voltage protection
- *Short circuit protection

EMC

- *EMI --- EN55011 class B (Conduction & Radiation)
- *EMS--- EN60601-1-2

PHYSICAL

- *Dimensions----- 52.5 x 27.5 x 23.5 mm
- *Case Material----- Plastic resin (flammability to UL 94V-0)

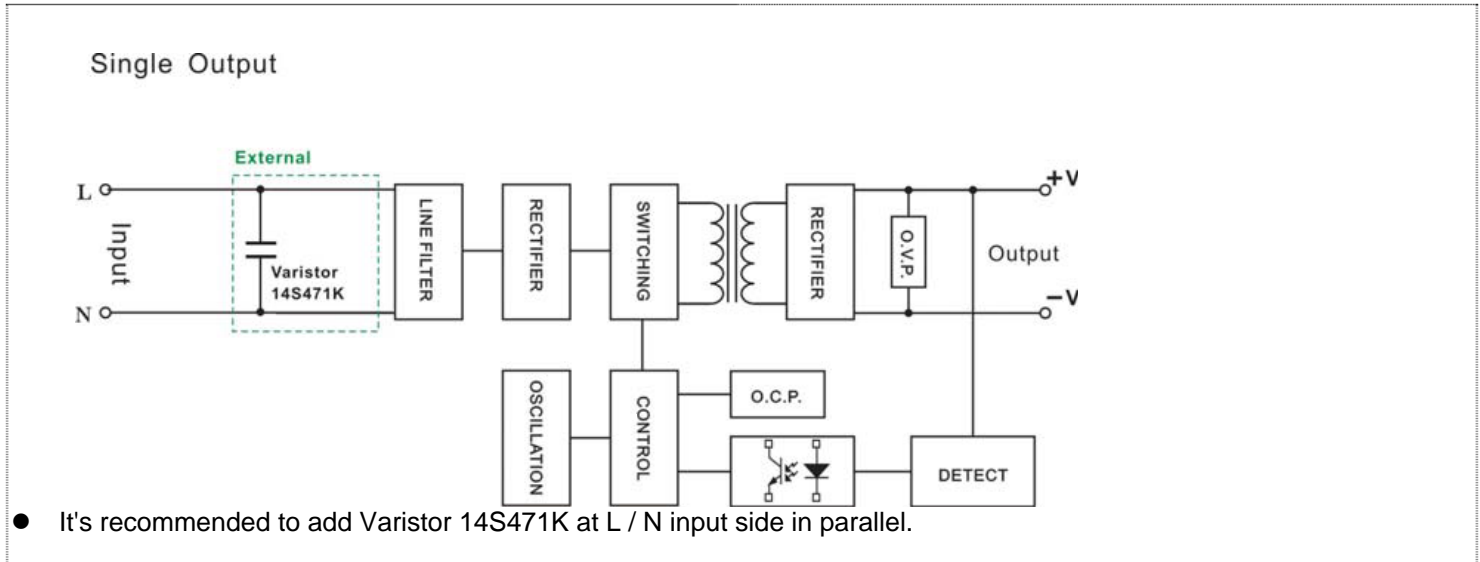
APPLICATIONS

- *Medical equipments
- *Test & industrial equipments

ENVIRONMENTAL

- *Operating temperature:
-40 to +80°C ambient (with derating)
- *Humidity:
Operating; non-condensing, 20% to 95%
- *Storage temperature:
-40 to +90°C
- * Dielectric Strength (Hi-pot)
Input to Output: 4000Vac / 10mA max / 60 second

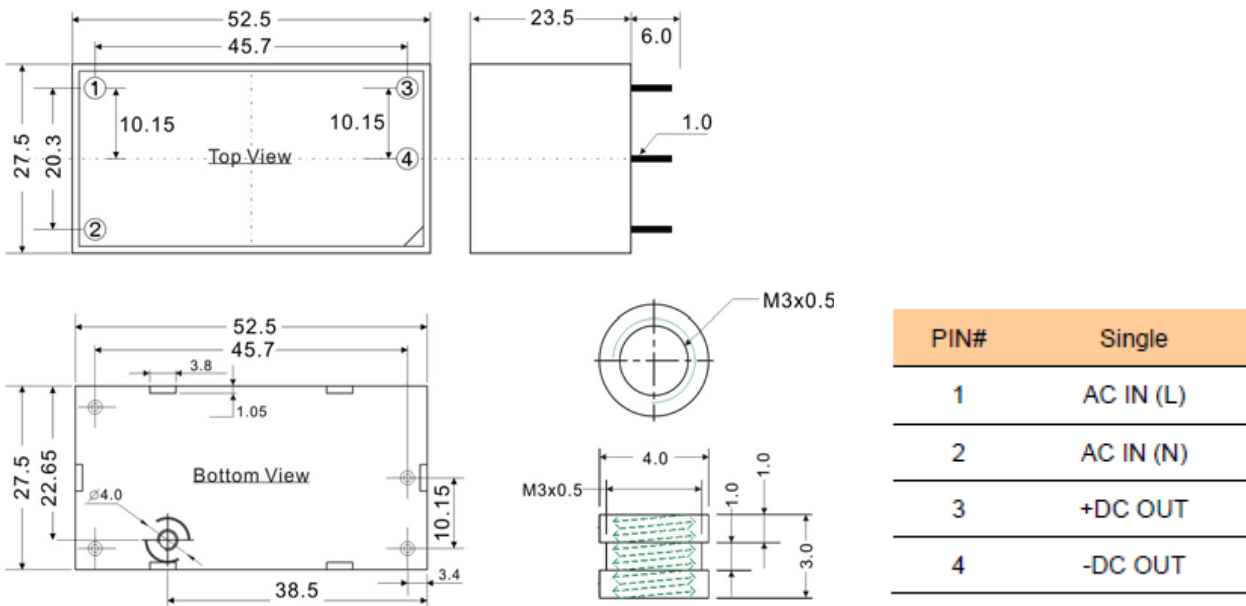
BLOCK DIAGRAM



MODEL	OUTPUT VOLTAGE	OUTPUT CURRENT	RIPPLE & NOISE	EFFICIENCY (Typ.)	CAPACITOR LOAD (Max.)
MZC20-12S	12 V	1667 mA	150 mV	83 %	1500 uF
MZC20-24S	24 V	833 mA	240 mV	82 %	470 uF



MECHANICAL DIMENSIONS (Unit : mm) (Tolerance ± 0.5mm)



DERATING

