

18Watt,Single Output,AC-DC Power Module Converter

FEATURES:

- Universal Input 90~264VAC
- Efficiency at 82% Typical
- Protection: Short Circuit /Overload/Over Voltage
- Fully Encapsulated Plastic Case
- Internal Input Filter

Specifications typical at TA=25°C, nominal input voltage and rated output current unless otherwise specified

Part Number	Output Wattage	Output Voltage	Output Current		Ripple & Noise(note1)	Efficiency
	(W)	(V)	(mA)(min)	(mA)(max)	(mV) max	%(TYP)
GA015-S15C01	18	Vo=+15.0	0	1200	150	82

Input Specifications

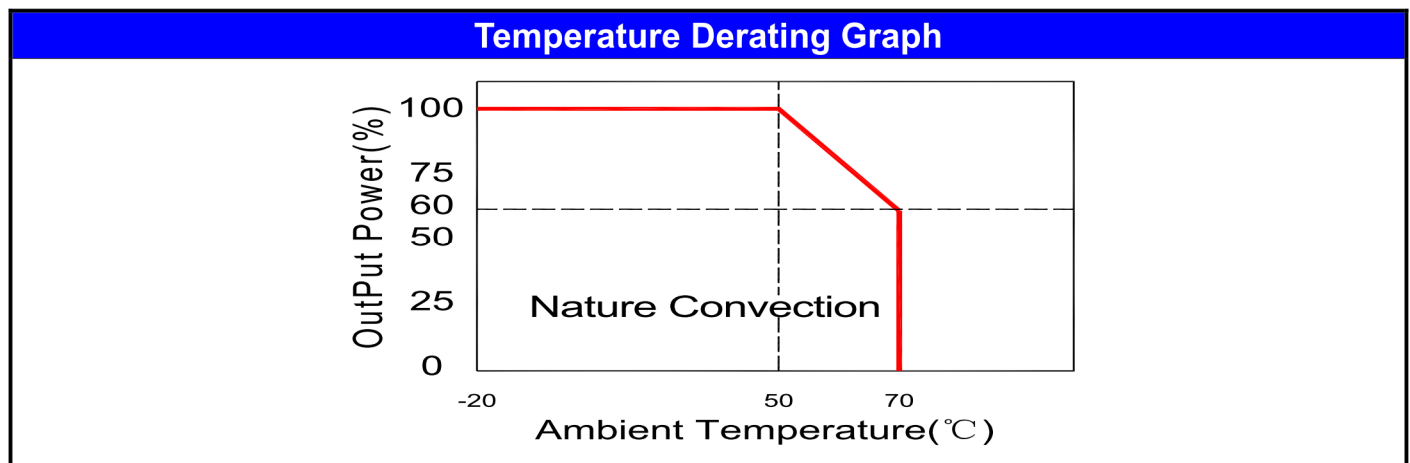
Parameters	Conditions	Min	Typ	Max	Units
Rated input voltage	Vo,lo nom		100-240		Vac
Voltage Range	Vo,lo nom	AC in	90	264	Vac
		DC in	120	370	Vdc
Frequency		47	50/60	63	Hz
Input Current	Vo,lo nom			0.5	A
Inrush Current	At 115Vac			10	A
	At 230Vac			20	A
Input Fuse	VDE/UL/CCC FUSE 2.5A/250V (Slow blow)				

Output Specifications

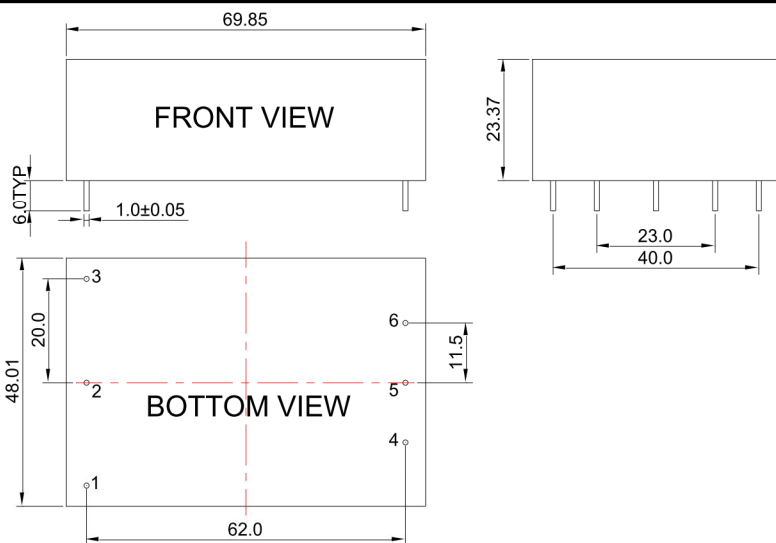
Parameters	Conditions	Min	Typ	Max	Units
Output Voltage Accuracy	Vi nom,lo nom			±2	%
Minimum Load	Vi nom	0			
Line Regulation	Io nom,Vi min...Vi max		±1		%
Load Regulation	Vi nom, Io min...Io nom		±2		%
Transient Recovery time	Vi nom, Io nom = ←→0.5 Io nom		1,000		uS
Protection	Overload	Above 110% rated output power			
		Protection type: Recovers automatically after fault condition is removed			
	Over Voltage	120%-150% rated output Voltage			
	Short circuit	Protection type: Zener diode clamp			
		Recovers automatically after fault condition is removed			

Note. 1. Ripple & noise is measured by using 20 MHz bandwidth, measured with a 47uf paralleled with a high-frequency 0.47uf capacitor across each output by full load.

General Specifications					
Parameters	Conditions	Min	Typ	Max	Units
Switching Frequency	Vi nom,lo nom		65		KHz
Isolation Voltage	Input / Output	3KVac/ 5mA/5Secs			
Isolation Resistance	Input / Output,@500 Vdc	100			MΩ
Operating Temperature	Operating at Vi nom,lo nom	-20		+70	°C
Derating	Vi nom,lo nom+51 to 71°C			2	%/°C
Storage Temperature	Non Operational	-40		+85	°C
Relative Humidity@40°C	Vi nom,lo nom			95	% RH
Safety Standards	Design refer to EN62368-1				
EMI Conduction & Radiation	Design refer to EN55032				
EMS Immunity	Design refer to EN55024				
Dimension	L69.85x W48.01 x H23.37				
Cooling	Free air convection				



Markings and dimensions

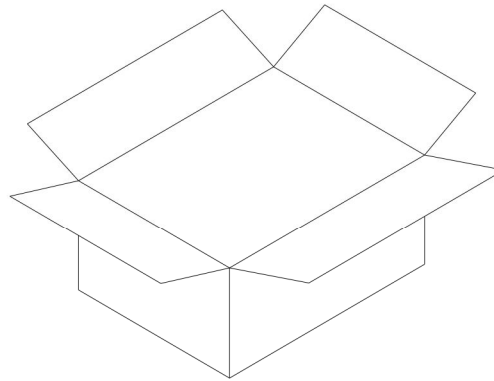
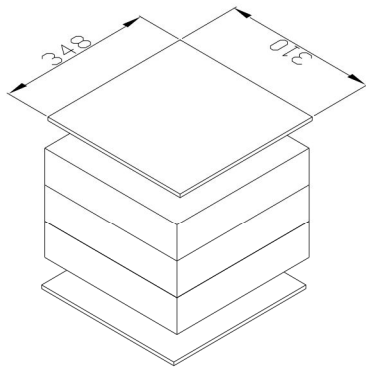
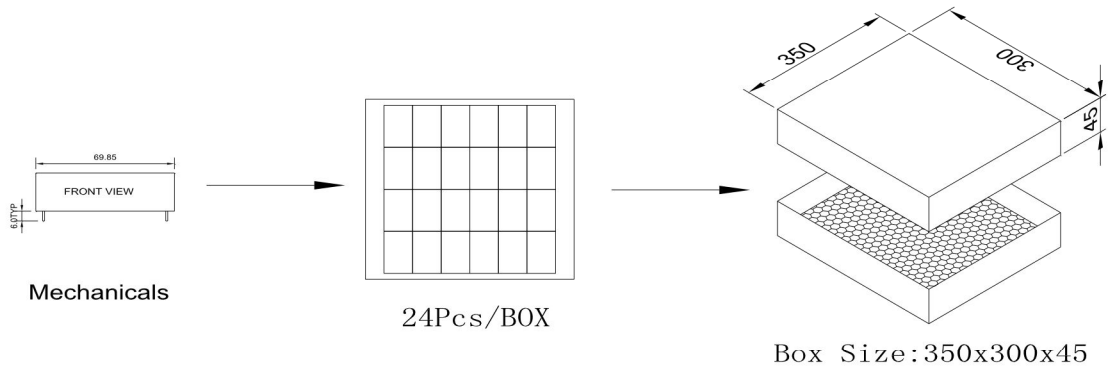


PIN	Model
	Single
1	FG
2	ACN
3	ACL
4	-Vo
5	NO PIN
6	+Vo

UNIT: mm Unless otherwise specified, all tolerances are ± 0.50

18Watt,Single Output,AC-DC Power Module Converter

- 1. Weight:145grams/pcs
- 2. outer carton unit : 72pcs/box
- 3. Weight: 11.5kg per carton



Outer carton: 375x320x160mm

UNIT:mm