

### FEATURES:

- Universal Input 90~264VAC
- Efficiency at 88% Typical
- Protection: Short Circuit /Overload/Over Voltage
- Fully Encapsulated Plastic Case
- Internal Input Filter



Specifications typical at TA=25°C, nominal input voltage and rated output current unless otherwise specified

Part Number	Output Wattage	Output Voltage	Output Current		Ripple & Noise(note1)	Efficiency
	(W)	(V)	(mA)(min)	(mA)(max)	(mV) max	%(TYP)
GA030-S48C01	48	Vo=+48.0	0	1000	240	88

### Input Specifications

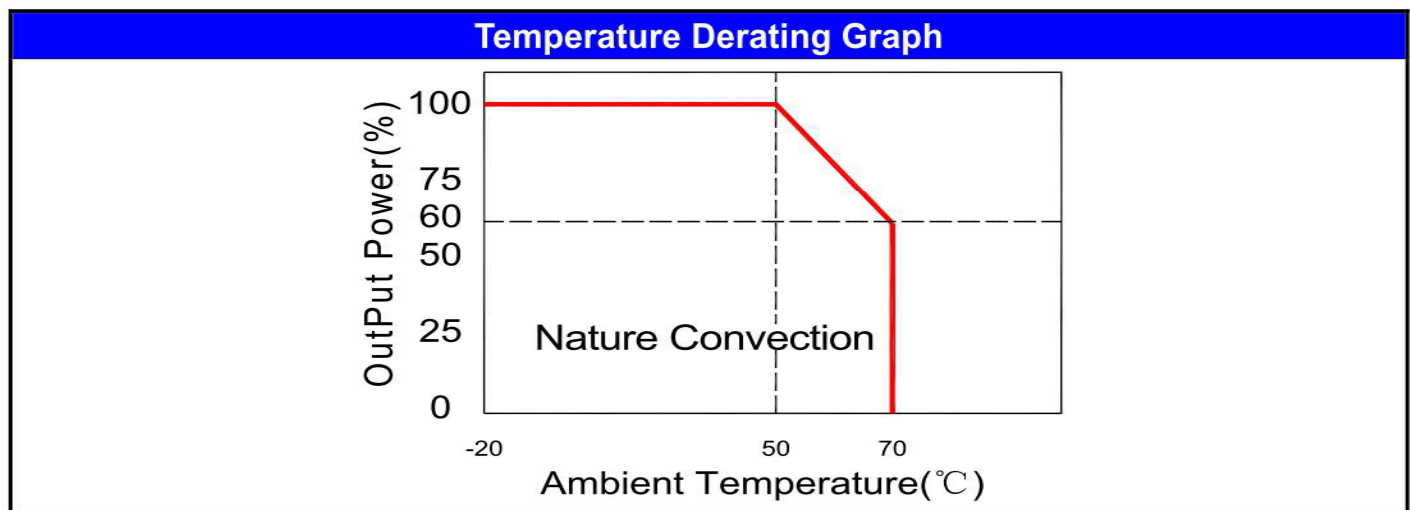
Parameters	Conditions	Min	Typ	Max	Units
Rated input voltage	Vo,lo nom		100-240		Vac
Voltage Range	Vo,lo nom	AC	90	264	Vac
		DC	120	370	Vdc
Frequency		47	50/60	63	Hz
Input Current	Vo,lo nom			1.1	A
Inrush Current	At 115Vac			25	A
	At 230Vac			50	A
Input Fuse	VDE/UL/CCC FUSE 3.15A/250V(Slow blow)				

### Output Specifications

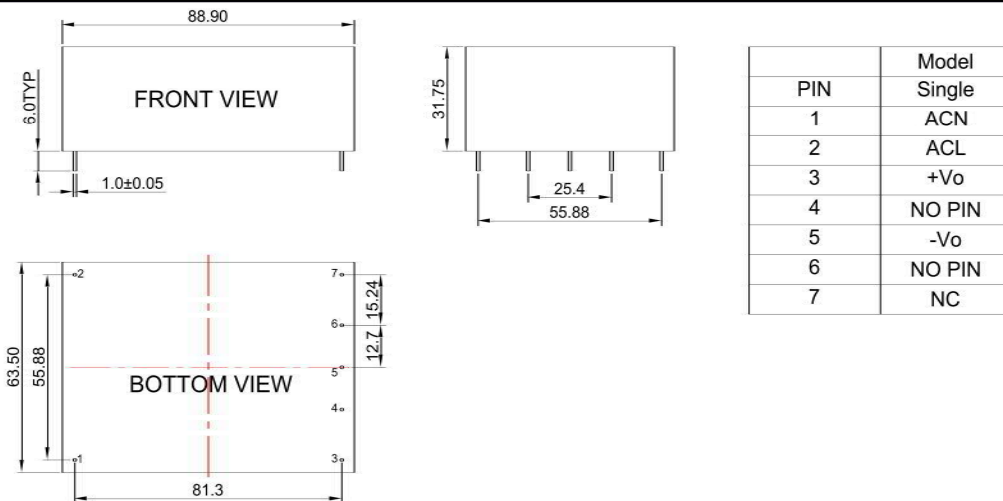
Parameters	Conditions	Min	Typ	Max	Units
Output Voltage Accuracy	Vi nom,lo nom Vo			±2	%
Minimum Load	Vi nom	0			%
Line Regulation	lo nom,Vi min...Vi max		±1		%
Load Regulation	Vi nom, lo min...lo nom Vo		±2		%
Transient Recovery Time	Vi nom,lo nom = ←→0.5 lo nom		1,000		uS
Protection	Overload	Above 110% rated output power			
		<b>Protection type:</b> Recovers automatically after fault condition is removed			
	Over Voltage	120%-150% rated output Voltage			
		<b>Protection type:</b> Zener diode clamp			
Short circuit		Recovers automatically after fault condition is removed			

Note. 1. Ripple & noise is measured by using 20 MHz bandwidth, measured with a 47uf paralleled with a high-frequency 0.47uf capacitor across each output by full load.

General Specifications					
Parameters	Conditions	Min	Typ	Max	Units
Switching Frequency	Vi nom,lo nom		65		KHz
Isolation Voltage	Input / Output	3KVac/ 5mA/5Secs			
Isolation Resistance	Input / Output,@500 Vdc	100			MΩ
Operating Temperature	Operating at Vi nom,lo nom	-20		+70	°C
Derating	Vi nom,lo nom+51 to 71°C			2	%/°C
Storage Temperature	Non Operational	-40		+85	°C
Relative Humidity@40°C	Vi nom,lo nom			95	% RH
Safety Standards	EN62368-1 approved				
EMI Conduction & Radiation	Compliance to EN55032				
EMS Immunity	Compliance to EN55024				
Dimension	L88.90x W63.50 x H31.75				mm
Cooling	Free air convection				



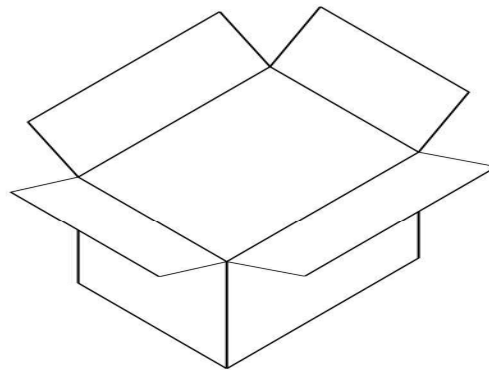
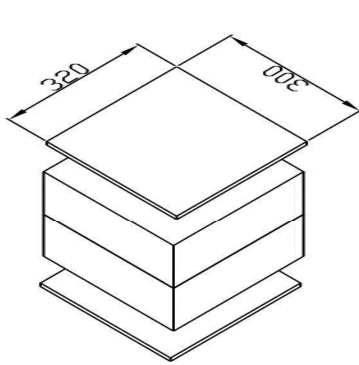
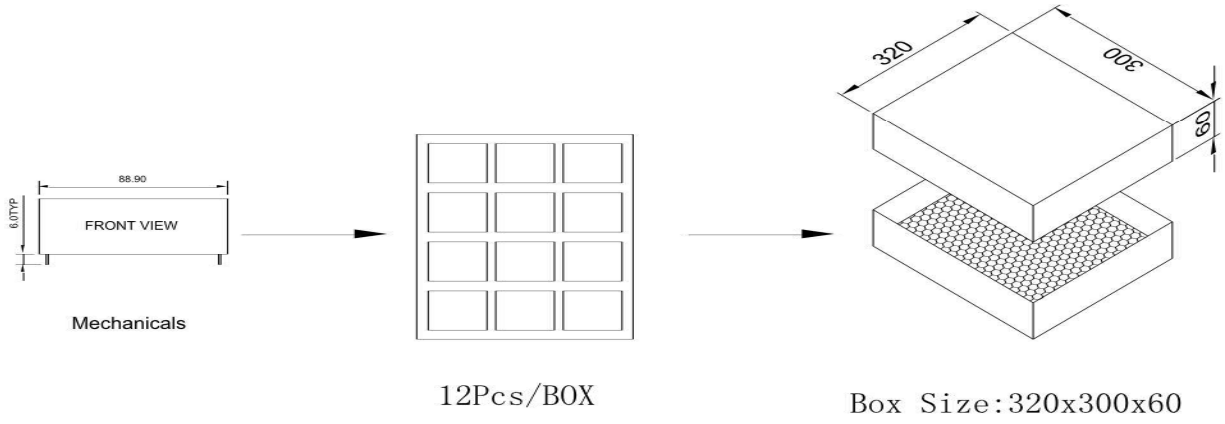
### Markings and dimensions



UNIT: mm Unless otherwise specified, all tolerances are ±0.50

**48Watt,Single Output,AC-DC Power Module Converter**

- 1. Weight:335grams/pcs
- 2. outer carton unit : 24pcs/box
- 3. Weight:8.8kg per carton



Outer carton: 375x320x160mm

UNIT:mm