

FEATURES:

- Universal Input 90~264VAC
- Efficiency at 78% Typical
- Protection: Short Circuit /Overload/Over Voltage
- Fully Encapsulated Plastic Case
- 2 Years Warranty
- ROHS Compliant

$$\frac{\text{GA5E}}{\text{A}} - \frac{\text{S}}{\text{B}} \frac{15}{\text{C}} - \frac{3}{\text{D}}$$

A:Series
B:Single Output
C:Output Voltage
D:Output Power



Specifications typical at TA=25°C, nominal input voltage and rated output current unless otherwise specified

Part Number	Output Wattage	Output Voltage	Output Current		Ripple & Noise(note)	Efficiency
	(W)	(V)	(mA)(min)	(mA)(max)	(mV) max	%(TYP)
GA5E-S15-3C01	3.0	Vo=+15.0	0	200	150	78

Input Specifications

Parameters	Conditions	Min	Typ	Max	Units
Rated input voltage	Vo,lo nom		100-240		Vac
Voltage Range	Vo,lo nom AC in	90		264	Vac
	DC in	120		370	Vdc
Frequency		47	50/60	63	Hz
Input Current	Vo,lo nom			0.1	A
Inrush Current	At 115Vac			10	A
	At 230Vac			20	A
Input Fuse	VDE/UL/CCC FUSE 2.5A/250V (Slow blow)				

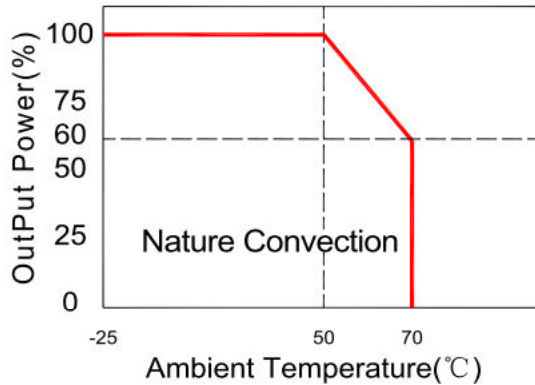
Output Specifications

Parameters	Conditions	Min	Typ	Max	Units
Output Voltage Accuracy	Vi nom,lo nom Vo			±2	%
Minimum Load	Vi nom	0			
Line Regulation	Io nom,Vi min...Vi max			±1.0	%
Load Regulation	Vi nom, Io min...Io Vo			±1.0	%
Transient Recovery time	Vi nom, Io nom = ↔ 0.5 Io nom		1,000		uS
Protection	Over load	Above 110% rated output power Protection type: Recovers automatically after fault condition is removed			
	Short circuit	Recovers automatically after fault condition is removed			
	Over Voltage	120%-150% rated output Voltage Protection type: Zener diode clamp			

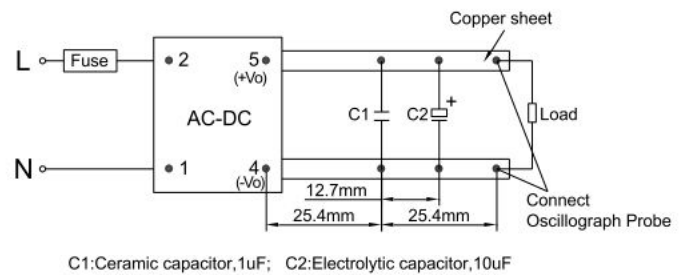
Note . Ripple & noise is measured by using 20 MHz bandwidth, measured with a 47uf paralleled with a high-frequency 0.47uf capacitor across each output by full load.

General Specifications					
Parameters	Conditions	Min	Typ	Max	Units
Switching Frequency	Vi nom,lo nom		65		KHz
Isolation Voltage	Input / Output	3KVac/ 5mA/5Secs			
Isolation Resistance	Input / Output,@500 Vdc	100			MΩ
Operating Temperature	Refer to Temperature Derating Graph	-25		+70	°C
Storage Temperature	Non Operational	-40		+85	°C
Relative Humidity	Vi nom,lo nom			95	% RH
Safety Standards	UL 62368-1, IEC62368-1 approved				
EMI Conduction & Radiation	Compliance to EN55032,CLASS B				
EMS Immunity	Compliance to EN61000				
Dimension	L25.4 x W25.4 x H16.1 mm				
Cooling	Free air convection				

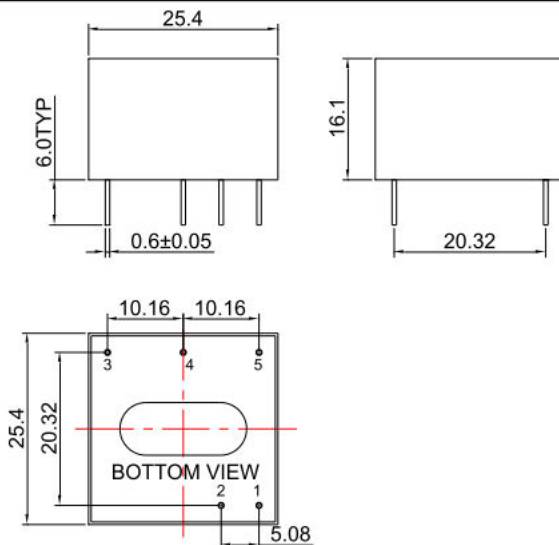
Temperature Derating Graph



Parallel Lines Measure



Markings and dimensions



PIN	Model
1	ACN
2	ACL
3	NC
4	-Vo
5	+Vo

Unit:mm Unless otherwise specified, all tolerances are ± 0.50

3Watt,Single Output,AC-DC Power Module Converter

- 1. Weight:20grams/pcs
- 2. outer carton unit : 490pcs/box
- 3. Weight: 11.7kg per carton

