

FEATURES:

- Universal Input 90~264VAC
- Efficiency at 80% Typical
- Protection: Short Circuit /Overload/Over voltage
- Design refer to EMI EN55032 & EMS EN55024 standard
- Internal Input Filter

Specifications typical at TA=25°C, nominal input voltage and rated output current unless otherwise specified

Part Number	Output Wattage	Output Voltage	Output Current		Ripple & Noise(note1)	Efficiency
	(W)	(V)	(mA)(min)	(mA)(max)	(mV) max	%(TYP)
GB015-S12C01	18	Vo=+12.0	0	1500	100	80

Input Specifications

Parameters	Conditions	Min	Typ	Max	Units
Rated input voltage	Vo,lo nom		100-240		Vac
Voltage Range	Vo,lo nom	90		264	Vac
	AC in	120		370	Vdc
Frequency		47	50/60	63	Hz
Input Current	Vo,lo nom			0.5	A
Inrush Current	At 115Vac			10	A
	At 230Vac			20	A
Input Fuse	VDE/UL/CCC FUSE 2.5A/250V(Slow Blow)				

Output Specifications

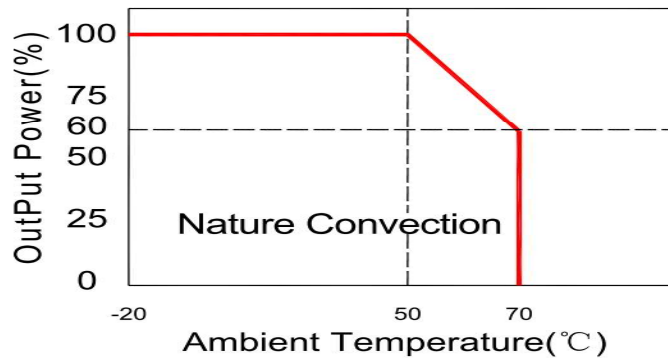
Parameters	Conditions	Min	Typ	Max	Units
Output Voltage Accuracy	Vi nom,lo nom	Vo		±2	%
Minimum Load	Vi nom	0			
Line Regulation	lo nom,Vi min...Vi max		±1		%
Load Regulation	Vi nom, lo min...lo nom	Vo	±2		%
Transient Recovery Time	Vi nom,lo nom = ↔0.5 lo nom		1,000		uS
Protection	Overload	Above 110% rated output power			
		Protection type: Recovers automatically after fault condition is removed			
	Over Voltage	120%-150% rated output Voltage			
Short circuit	Protection type: Zener diode clamp				
		Recovers automatically after fault condition is removed			

Note. 1.Ripple & noise is measured by using 20 MHz bandwidth, measured with a 47uf paralleled with a high-frequency 0.47uf capacitor across each output by full load.

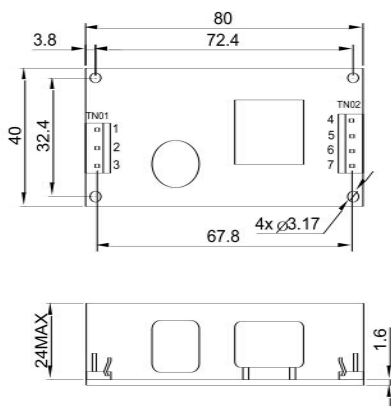
DESCRIPTION:

General Specifications					
Parameters	Conditions	Min	Typ	Max	Units
Switching Frequency	Vi nom,lo nom		65		KHz
Isolation Voltage	Input / Output	3KVac/ 5mA/5Secs			
Isolation Resistance	Input / Output,@500 Vdc	100			MΩ
Operating Temperature	Operating at Vi nom,lo nom	-20		+70	°C
Derating	Vi nom,lo nom+51 to 71°C			2	%/°C
Storage Temperature	Non Operational	-40		+85	°C
Relative Humidity	Vi nom,lo nom			95	% RH
Safety Standards	Design refer to EN60950-1				
EMI Conduction & Radiation	Design refer to EN55032				
EMS Immunity	Design refer to EN55024				
Dimension	L80 x W40 x H24MAX				mm
Cooling	Free air convection				

Temperature Derating Graph



Markings and dimensions



Notes:

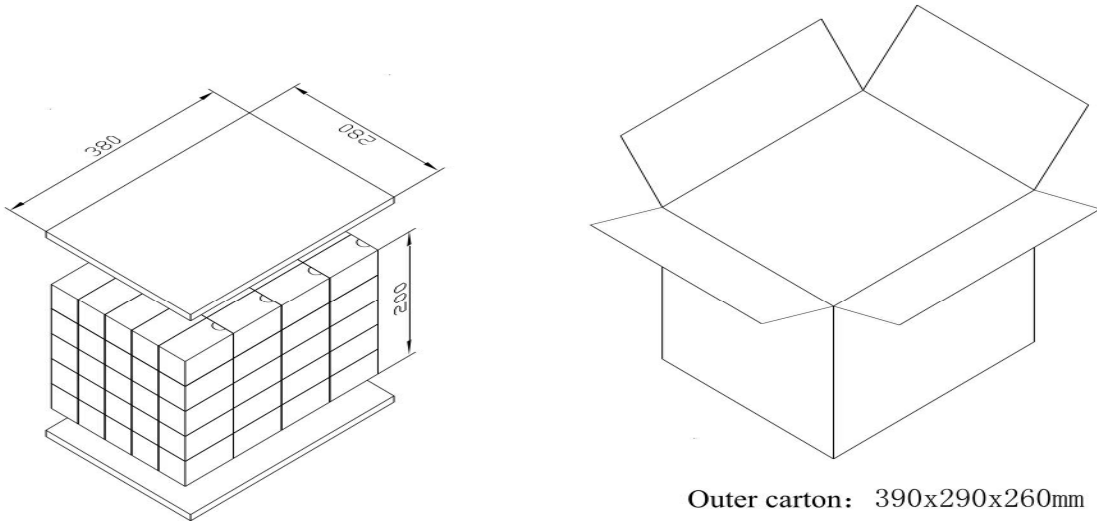
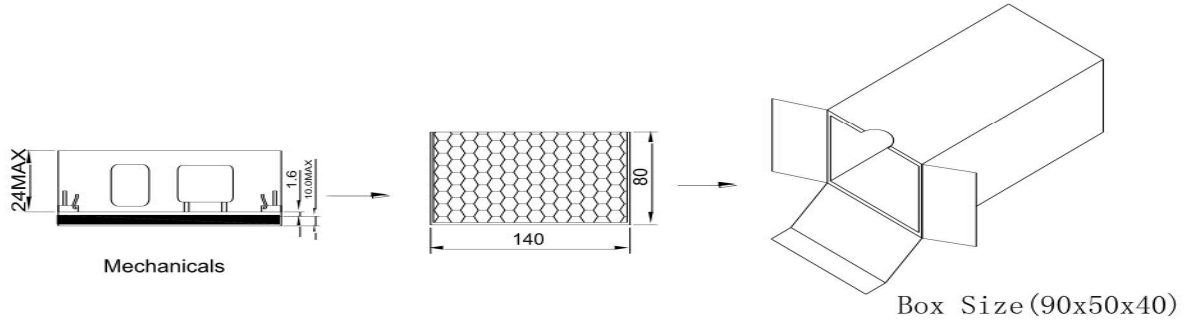
- 1.Input connector mates with Molex housing 09-50-3031 and Molex 2478 series crimp terminal.
- 2.Output connector mates with Molex housing 09-50-3041 and Molex 2478 series crimp terminal.

TN01	Model
PIN	Single
1	ACL
2	No PIN
3	ACN
TN02	
4	+Vo
5	+Vo
6	-Vo
7	-Vo

UNIT: mm Unless otherwise specified, all tolerances are ± 0.50

18Watt,Single Output,AC-DC Open Frame Converter

1. Weight:60grams/pcs
2. outer carton unit : 100pcs/box
3. Weight: 6.8kg per carton



UNIT:mm