

FEATURES:

- Universal Input 90~264VAC
- Efficiency at 75% Typical
- Protection: Short Circuit /Overload/Over Voltage
- Meet EMI EN55022 & EMS EN55024 standard
- Internal Input Filter

Specifications typical at TA=25°C, nominal input voltage and rated output current unless otherwise specified

Part Number	Output Wattage	Output Voltage	Output Current		Ripple & Noise(note1)	Efficiency
	(W)	(V)	(mA)(min)	(mA)(max)	(mV) max	%(TYP)
GB040-T051515C01	15	Vo1=+5.0	600	3000	100	75
	30	Vo2=+15.0	400	2000	240	
	4.5	Vo3=-15.0	60	300	240	

Input Specifications

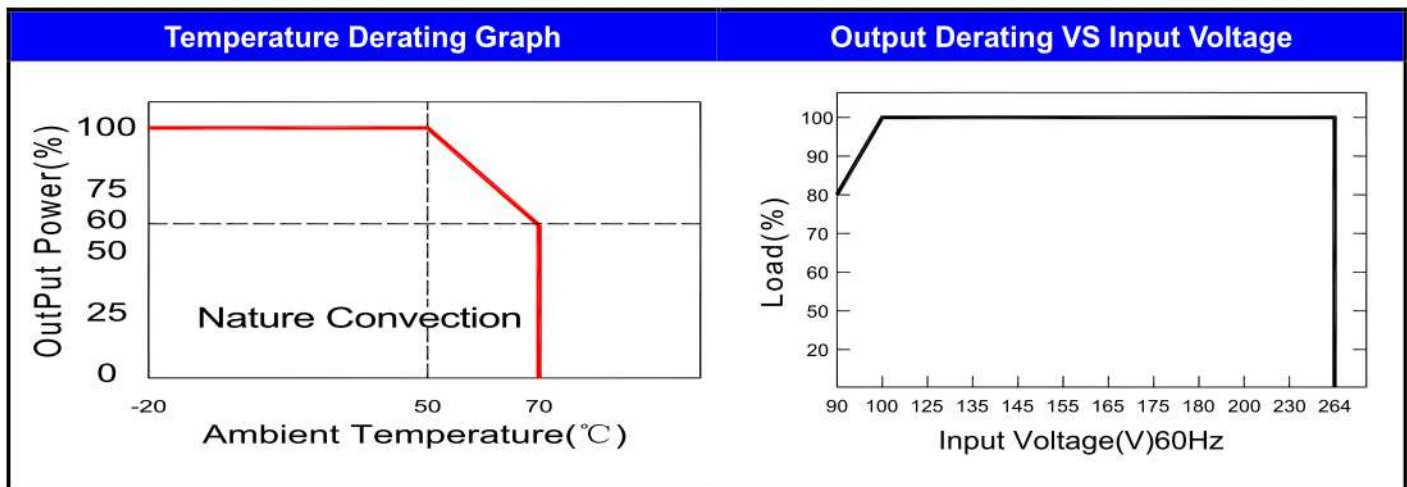
Parameters	Conditions	Min	Typ	Max	Units
Rated input voltage	Vo,lo nom		100-240		Vac
Voltage Range	Vo,lo nom	90		264	Vac
Frequency		47	50/60	63	Hz
Input Current	Vo,lo nom			1.5	A
Inrush Current	At 100Vac			20	A
	At 240Vac			40	A
Input Fuse	VDE/UL/CCC FUSE 3.15A/250V				

Output Specifications

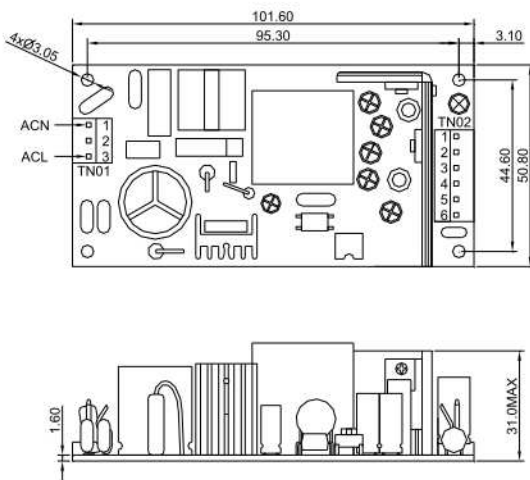
Parameters	Conditions	Min	Typ	Max	Units
Output Voltage Accuracy	Vi nom,lo nom	Vo1		±3	%
		Vo2/ Vo3		±5	%
Minimum Load	each output	20			%
Line Regulation	Io nom,Vi min...Vi max	Vo1/ Vo3		±1	%
		Vo2		±2	%
Load Regulation	Vi nom, Io min...Io nom	Vo1		±3	%
		Vo2/ Vo3		±5	%
Protection	Overload	Above 110% rated output power			
		Protection type:Recovers automatically after fault condition is removed			
	Over Voltage	120%-150% rated output Voltage			
		Protection type:Shut off o/p voltage, re-power on to recover			
	Short circuit	Recovers automatically after fault condition is removed			

Note . 1.Ripple & noise is measured by using 20 MHz bandwidth, measured with a 47uf paralleled with a high-frequency 0.47uf capacitor across each output by full load.

General Specifications					
Parameters	Conditions	Min	Typ	Max	Units
Switching Frequency	Vi nom, Io nom		65		KHz
Isolation Voltage	Input / Output	3KVac/ 5mA/5Secs			
Isolation Resistance	Input / Output, @500 Vdc	100			MΩ
Operating Temperature	Operating at Vi nom, Io nom	-20		+70	°C
Derating	Vi nom, Io nom+51 to 71°C			2	%/°C
Storage Temperature	Non Operational	-40		+85	°C
Relative Humidity	Vi nom, Io nom			95	% RH
Dimension	L101.60 x W50.80 x H31.0				mm
Cooling	Free air convection				



Markings and dimensions



Notes:

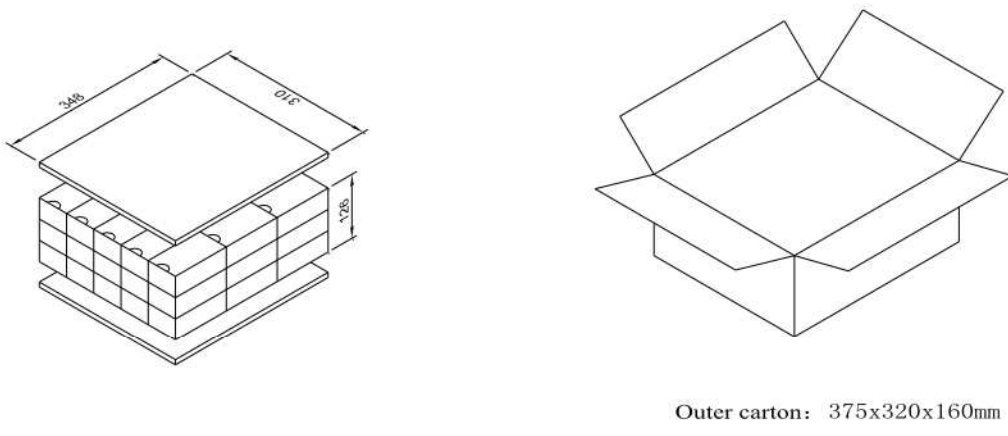
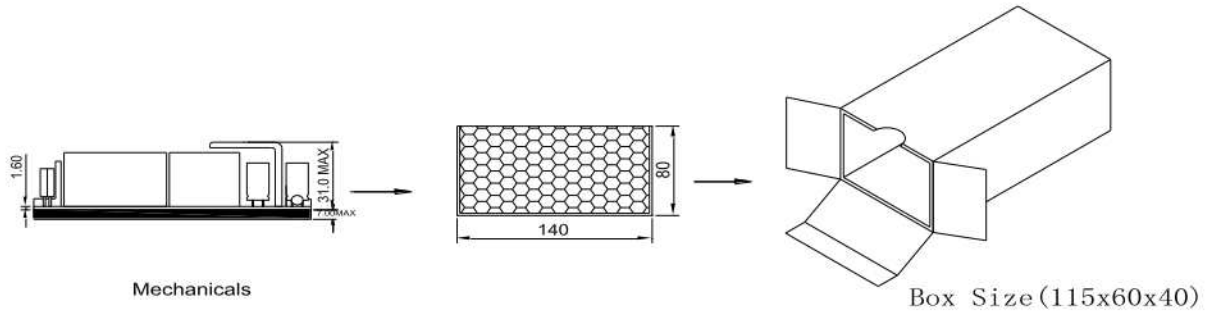
1. Input connector mates with Molex housing 09-50-3031 and Molex 2478 series crimp terminal.
2. Output connector mates with Molex housing 09-50-3061 and Molex 2478 series crimp terminal.

TN01	Model
PIN	Triple OUTPUT
1	ACN
2	No Pin
3	ACL
TN02	
1	Vo2
2	Vo1
3	Vo1
4	COM
5	COM
6	Vo3

UNIT: mm Unless otherwise specified, all tolerances are ± 0.50

49.5Watt, Triple Output, AC-DC Open Frame Converter

1. Weight: 150grams/pcs
2. outer carton unit : 45 pcs/box
3. Weight: 7.5kg per carton



UNIT:mm