

FEATURES:

- Universal Input 90~264VAC
- Efficiency at 88% Typical
- Protection: Short Circuit /Overload/Over voltage
- Design refer to EMI EN55032 & EMS EN55024 standard
- Power Factor Correction

Specifications typical at TA=25°C, nominal input voltage and rated output current unless otherwise specified

Part Number	Output Wattage	Output Voltage	Output Current		Ripple & Noise(note1)	Efficiency
	(W)	(V)	(mA)(min)	(mA)(max)	(mV) max	%(TYP)
GB100-S24C01	100	Vo=+24.0	0	4160	240	88

Input Specifications

Parameters	Conditions		Min	Typ	Max	Units
Rated input voltage	Vo,lo nom			100-240		Vac
Voltage Range	Vo,lo nom	AC in	90		264	Vac
		DC in	127		370	Vdc
Frequency			47	50/60	63	Hz
Input Current	Vo,lo nom				1.5	A
Inrush Current	At 100Vac				30	A
	At 240Vac				60	A
Input Fuse	VDE/UL/CCC FUSE 3.15A/250V					
Power Factor	PF> 0.93 / 230Vac PF> 0.98 / 115Vac at full load					

Output Specifications

Parameters	Conditions		Min	Typ	Max	Units
Output Voltage Accuracy	Vi nom,lo nom	Vo			±2	%
Minimum Load	Vi nom		0			
Line Regulation	lo nom,Vi min...Vi max			±1		%
Load Regulation	Vi nom, lo min...lo nom	Vo		±3		%
Protection	Overload		115% -150% rated output power.			
			Protection type:Shut off o/p voltage, re-power on to recover			
	Over Voltage		120%-150% rated output Voltage			
			Protection type:Shut off o/p voltage, re-power on to recover			
Short circuit		Protection type:Shut off o/p voltage, re-power on to recover				

Note. 1. Ripple & noise is measured by using 20 MHz bandwidth, measured with a 47uf paralleled with a high-frequency 0.47uf capacitor across each output by full load.

DESCRIPTION:

Rev. 1.0

AP'PD:Zhu ShiYang

DWN: Chen JiaPei

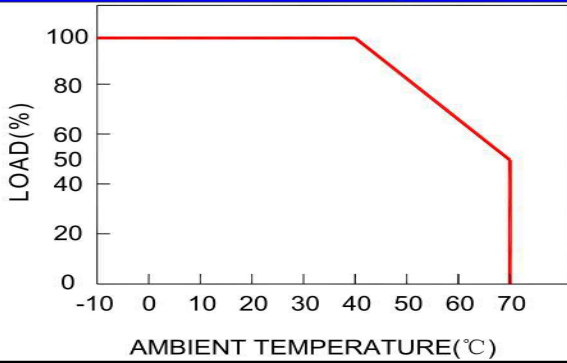
Page 1 of 3

2020-4-9

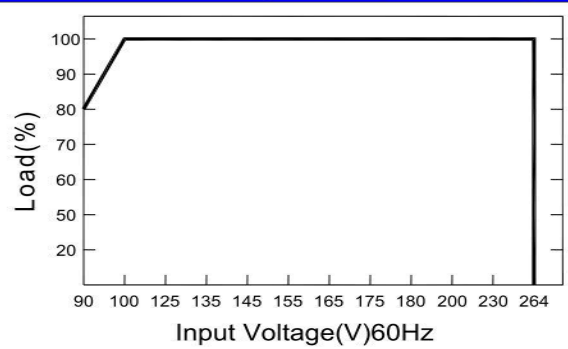
General Specifications

Parameters	Conditions	Min	Typ	Max	Units
MTBF	MIL-HDBK-217F(25°C)	100,000			Hrs
Isolation Voltage	Input To Output	3000V AC 5mA/5Secs			
	Input To Ground	1500V AC 5mA/5Secs			
	Output To Ground	500V AC 5mA/5Secs			
Safety Standards	Design refer to UL62368-1,IEC62368-1				
Size		127x76.2x35.56			mm
Weight			345		g
Operating Temperature	With Derating	-10		+70	°C
Storage Temperature		-45		+85	°C

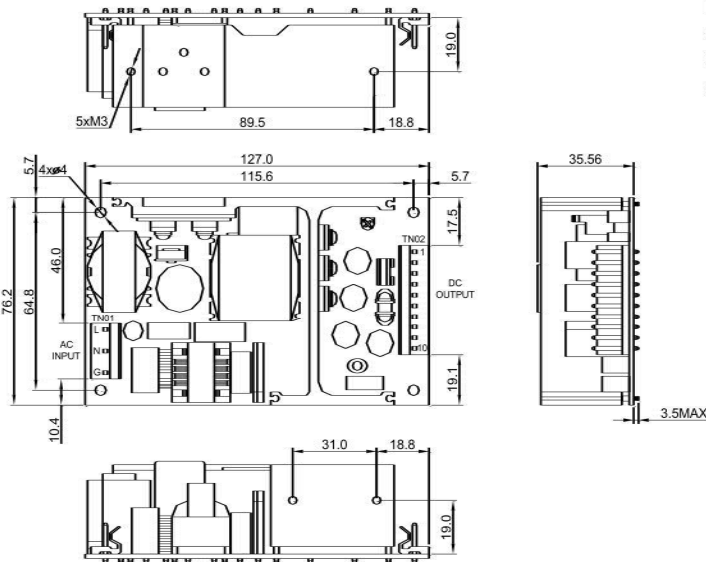
Temperature Derating Graph



Output Derating VS Input Voltage



Markings and dimensions



Notes:

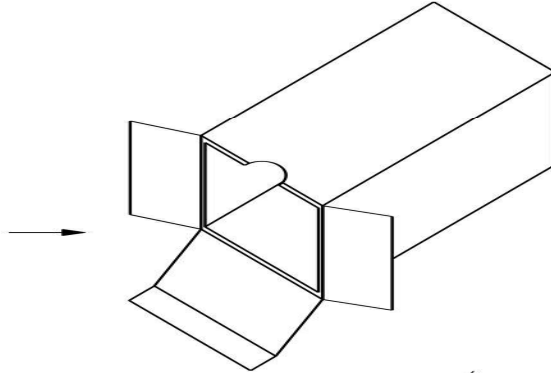
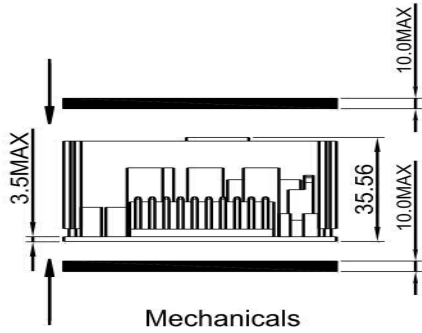
- 1.Input connector mates with Molex housing 09-50-3051 and Molex 2478 series crimp terminal.
- 2.Output connector mates with Molex housing 09-50-3101 and Molex 2478 series crimp terminal.

TN01	Models
1	ACL
2	NO PIN
3	ACN
4	NO PIN
5	FG
TN02	
Pins	Single
1	+Vo
2	+Vo
3	+Vo
4	+Vo
5	+Vo
6	-Vo
7	-Vo
8	-Vo
9	-Vo
10	-Vo

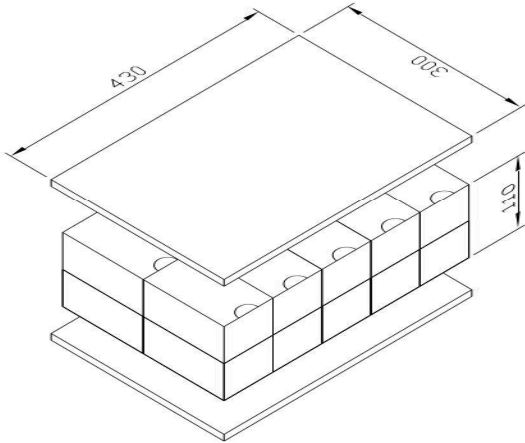
UNIT: mm Unless otherwise specified, all tolerances are ± 0.50

100Watt,Single Output,AC-DC Open Frame Converter

- 1. Weight:345grams/pcs
- 2. outer carton unit : 20pcs/box
- 3. Weight: 7.7kg per carton



Box Size (140x85x55)



Outer carton: 460x310x145mm

UNIT:mm