

FEATURES:

- Universal Input 90~264VAC
- Efficiency at 87% Typical
- Protection: Short Circuit /Overload/Over voltage
- Design refer to EN55032 & EMS EN55024 standard
- Internal Input Filter
- 2 Years Warranty
- ROHS Compliant

GB60A - S 24
A B C

A:Series

B:Single Output

C:Output Voltage 

Specifications typical at TA=25°C, nominal input voltage and rated output current unless otherwise specified

Part Number	Output Wattage	Output Voltage	Output Current		Ripple & Noise(note1)	Efficiency
	(W)	(V)	(mA)(min)	(mA)(max)	(mV) max	%(TYP)
GB60A-S24C01	60	Vo=+24.0	0	2500	240	87

Input Specifications

Parameters	Conditions		Min	Typ	Max	Units
Rated input voltage	Vo,lo nom			100-240		Vac
Voltage Range	Vo,lo nom	AC in	90		264	Vac
		DC in	120		370	Vdc
Frequency			47	50/60	63	Hz
Input Current	Vo,lo nom				1.5	A
Inrush Current	At 100Vac				20	A
	At 240Vac				40	A
Input Fuse	VDE/UL/CCC FUSE 3.15A/250V					

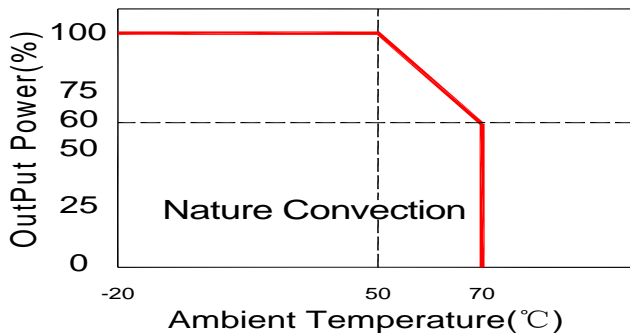
Output Specifications

Parameters	Conditions		Min	Typ	Max	Units
Output Voltage Accuracy	Vi nom,lo nom	Vo			±2	%
Minimum Load	Vi nom		0			
Line Regulation	lo nom,Vi min...Vi max			±1		%
Load Regulation	Vi nom, lo min...lo nom	Vo		±2		%
Protection	Overload		115% -150% rated output power			
			Protection type: Recovers automatically after fault condition is removed			
	Over Voltage		120%-150% rated output Voltage			
			Protection type: Shut off o/p voltage, re-power on to recover			
Short circuit		Recovers automatically after fault condition is removed				

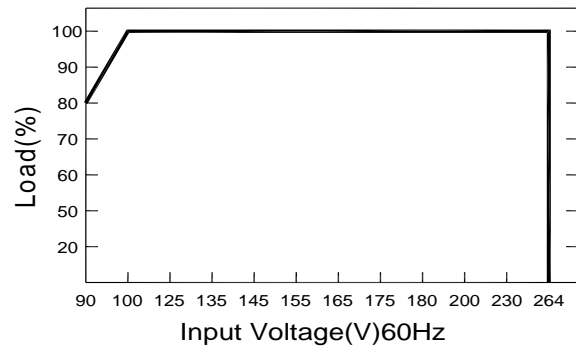
Note. 1. Ripple & noise is measured by using 20 MHz bandwidth, measured with a 47uf paralleled with a high-frequency 0.47uf capacitor across each output by full load.

General Specifications					
Parameters	Conditions	Min	Typ	Max	Units
Switching Frequency	Vi nom,lo nom		65		KHz
Isolation Voltage	Input / Output	3KVac/ 5mA/5Secs			
Isolation Resistance	Input / Output,@500 Vdc	100			MΩ
Operating Temperature	Operating at Vi nom,lo nom	-20		+70	°C
Derating	Vi nom,lo nom+51 to 71°C			2	%/°C
Storage Temperature	Non Operational	-40		+85	°C
Relative Humidity	Vi nom,lo nom			95	% RH
Safety Standards	EN62368-1 approved				
EMI Conduction & Radiation	Compliance to EN55032				
EMS Immunity	Compliance to EN55024				
Dimension	L101.6 x W50.8 x H31.0				mm
Cooling	Free air convection				

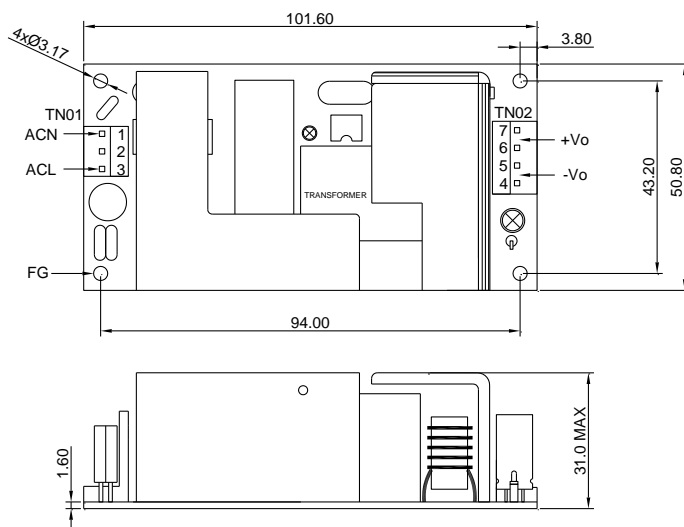
Temperature Derating Graph



Output Derating VS Input Voltage



Markings and dimensions



Notes:

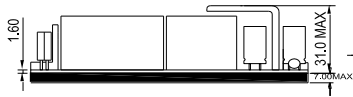
1. Input connector mates with Molex housing 09-50-3031 and Molex 2478 series crimp terminal.
2. Output connector mates with Molex housing 09-50-3041 and Molex 2478 series crimp terminal.

TN01	Model
PIN	Single Output
1	ACN
2	No PIN
3	ACL
TN02	
4	-Vo
5	-Vo
6	+Vo
7	+Vo

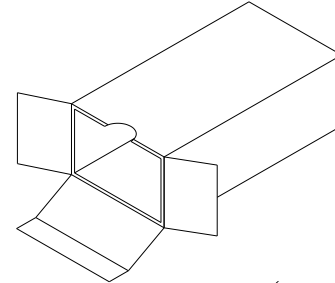
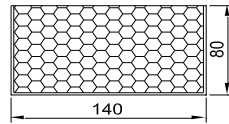
UNIT: mm Unless otherwise specified, all tolerances are ± 0.50

60Watt,Single Output,AC-DC Open Frame Converter

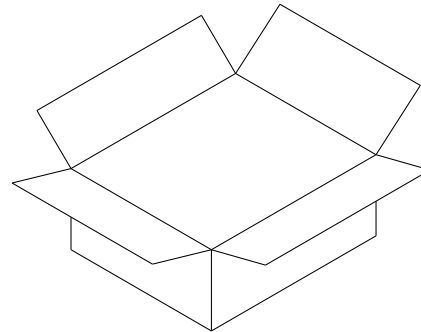
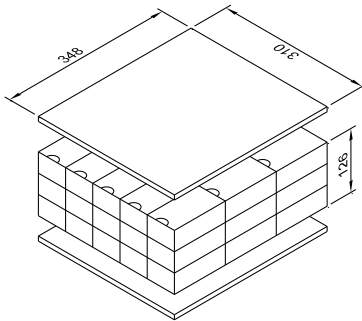
- 1. Weight: 150grams/pcs
- 2. outer carton unit : 45 pcs/box
- 3. Weight: 7.5kg per carton



Mechanicals



Box Size (115x60x40)



Outer carton: 375x320x160mm

UNIT:mm