

3Watt,Single Output,AC-DC Open Frame Converter

FEATURES:

- Universal Input 85~305VAC
- Efficiency at 80% Typical
- Protection: Short Circuit /Over Load
- Ultra small size
- 2 Years Warranty
- ROHS Compliant

$\frac{GS3}{A} - \frac{S}{B} \frac{24}{C}$

A:Series
B:Single Output
C:Output Voltage

Specifications typical at TA=25°C, nominal input voltage and rated output current unless otherwise specified

| Part Number | Output Wattage | Output Voltage | Output Current | | Efficiency | Max. Capacitive Load |
|-------------|----------------|----------------|----------------|-----------|------------|----------------------|
| | (W) | (V) | (mA)(min) | (mA)(max) | %(TYP) | (μ F) |
| GS3-S24C01 | 3 | Vo=+24.0 | 0 | 125 | 80 | 120 |

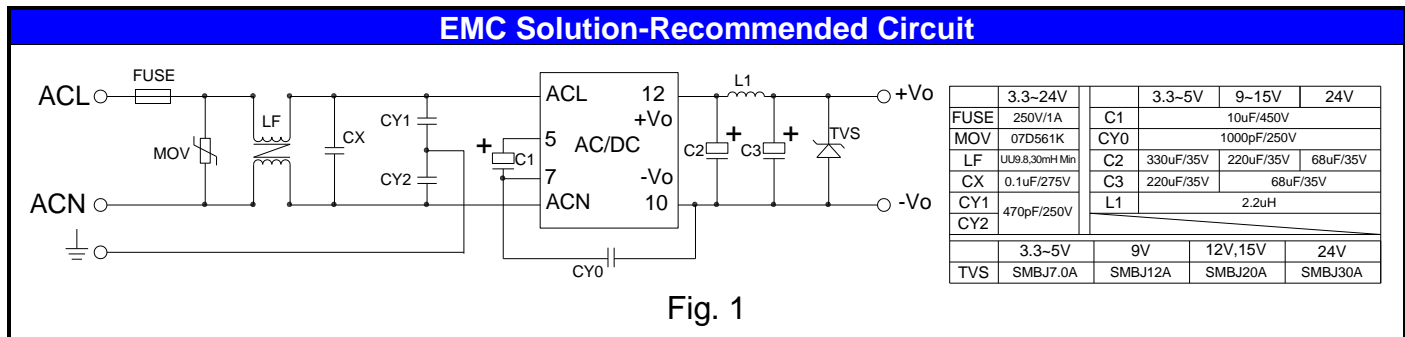
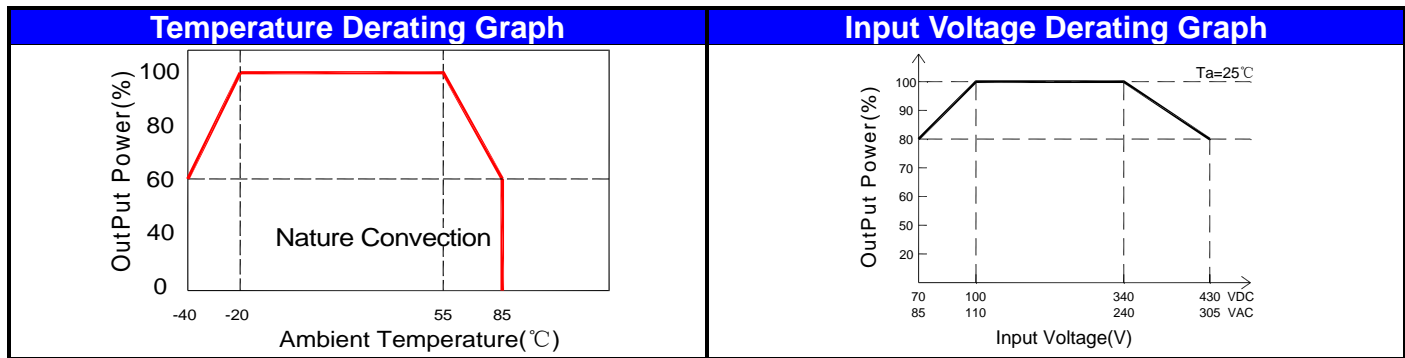
Input Specifications

| Parameters | Conditions | | Min | Typ | Max | Units |
|---------------------|------------|-----------|-----|---------|------|-------|
| Rated input voltage | Vo,lo nom | | | 100~277 | | Vac |
| Voltage Range | Vo,lo nom | AC in | 85 | | 305 | Vac |
| | | DC in | 70 | | 430 | Vdc |
| Frequency | | | 47 | | 63 | Hz |
| Input Current | Io nom | Vi:115VAC | | | 0.10 | A |
| | | Vi:230VAC | | | 0.05 | A |
| Inrush Current | Io nom | Vi:115VAC | | 10 | | A |
| | | Vi:230VAC | | 15 | | A |

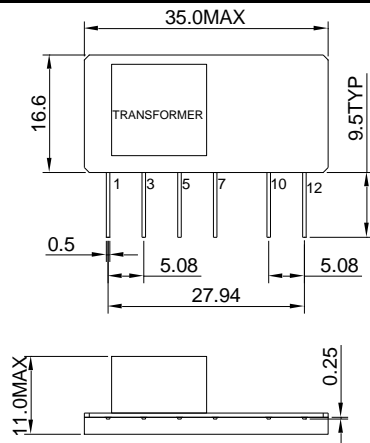
Output Specifications

| Parameters | Conditions | Min | Typ | Max | Units |
|-------------------------|-------------------------|--|-----------|---------|-------|
| Output Voltage Accuracy | Vi nom,lo nom | | | ± 5 | % |
| Minimum Load | Vi nom | | | 26 | Vdc |
| Line Regulation | Io nom,Vi min...Vi max | | ± 1.5 | | % |
| Load Regulation | 5%~100% Load | | ± 3.5 | | % |
| No Load | | | | 0.5 | W |
| Ripple & Noise | Vi nom,lo nom, BW=20MHz | | 80 | 150 | mVp-p |
| Protection | Over Load | Above 110% rated output power | | | |
| | | Protection type: Recovers automatically after fault condition is removed | | | |
| | Short circuit | Recovers automatically after fault condition is removed | | | |

| General Specifications | | | | | |
|----------------------------|---|------------------|-----|------|-------|
| Parameters | Conditions | Min | Typ | Max | Units |
| Switching Frequency | Vi nom,lo nom | | | 60 | KHz |
| Isolation Voltage | Input / Output | 3KVac/ 5mA/5Secs | | | |
| Isolation Resistance | Input / Output,@500 Vdc | 100 | | | MΩ |
| Operating Temperature | Operating at Vi nom,lo nom | -40 | | +85 | °C |
| Storage Temperature | Non Operational | -40 | | +105 | °C |
| Relative Humidity | Vi nom,lo nom | | | 85 | % RH |
| Safety Standards | Design refer to UL62368-1,IEC62368-1 | | | | |
| EMI Conduction & Radiation | EN55032,CLASS B(See Fig. 1 for recommended circuit) | | | | |
| EMS Immunity | EN61000 (See Fig. 1 for recommended circuit) | | | | |
| Dimension | L35.0 x W11.0 x H18.0 mm | | | | |
| Cooling | Free air convection | | | | |



Markings and dimensions



| PIN | Model |
|-----|---------|
| | Single |
| 1 | ACN |
| 3 | ACL |
| 5 | +V(cap) |
| 7 | -V(cap) |
| 10 | -Vo |
| 12 | +Vo |

UNIT:mm Unless otherwise specified,all tolerances are ±0.5

3Watt,Single Output,AC-DC Open Frame Converter

- 1. Weight: 4.8grams/pcs
- 2. outer carton unit : 432pcs/box
- 3. Weight: 3.7kg per carton

