

### FEATURES:

- Universal Input 85~305VAC
- Efficiency at 80% Typical
- Protection: Short Circuit / Over Load
- Ultra small size

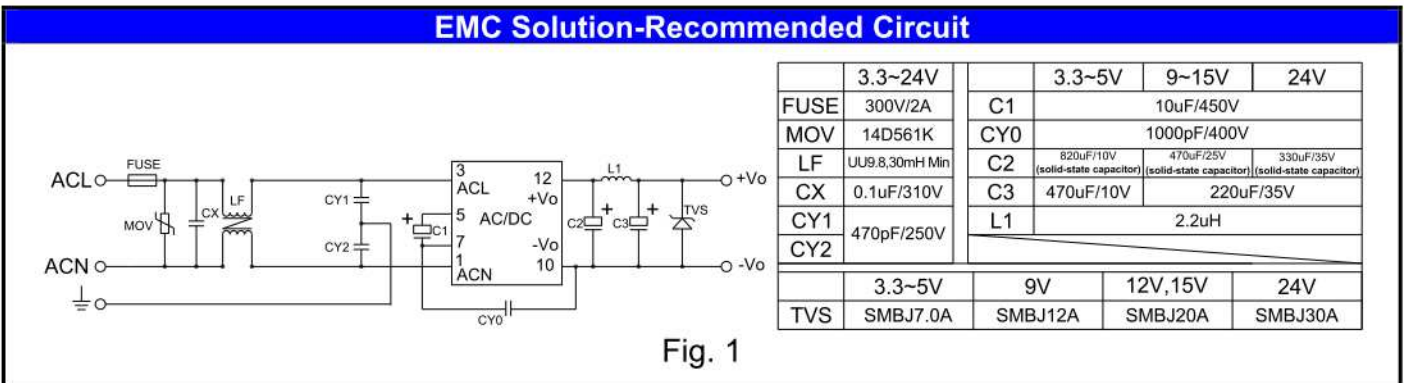
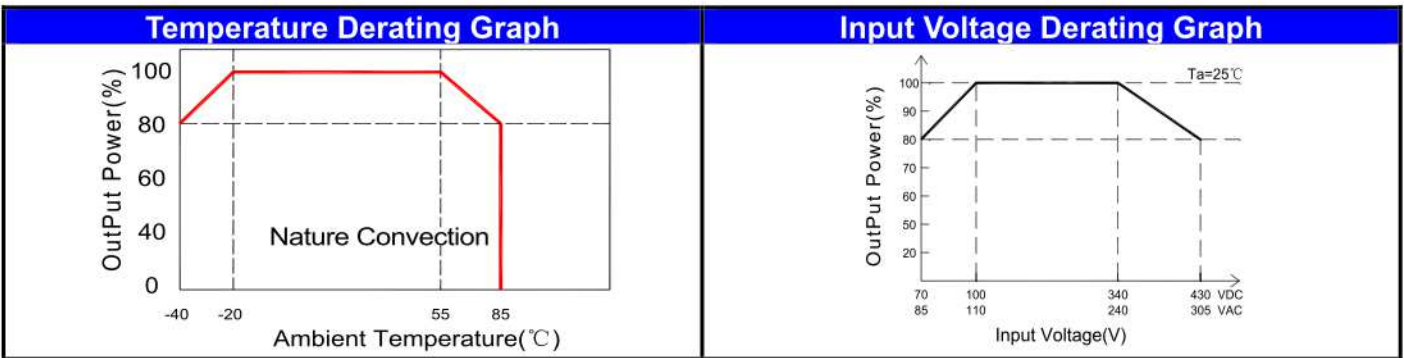
Specifications typical at TA=25°C, nominal input voltage and rated output current unless otherwise specified						
Part Number	Output Wattage	Output Voltage	Output Current		Efficiency	Max. Capacitive Load
	(W)	(V)	(mA)(min)	(mA)(max)	%(TYP)	(μF)
GS3-S24FC01	3	Vo=+24.0	12.5	125	80	120

Input Specifications						
Parameters	Conditions		Min	Typ	Max	Units
Rated input voltage	Vo,lo nom			100~277		Vac
Voltage Range	Vo,lo nom	AC in	85		305	Vac
		DC in	70		430	Vdc
Line Frequency	Vi nom.lo nom		47		63	Hz
Input Current	Io nom	Vi:115VAC			0.12	A
		Vi:230VAC			0.06	A
Inrush Current	Io nom	Vi:115VAC		13		A
		Vi:230VAC		23		A

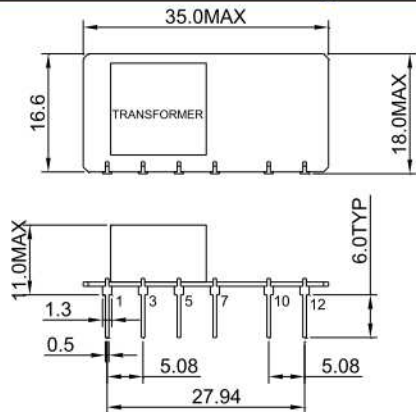
Output Specifications						
Parameters	Conditions		Min	Typ	Max	Units
Output Voltage Accuracy	Vi nom,lo nom				±5	%
Minimum Load	Vi nom		10			%
Line Regulation	Io nom,Vi min...Vi max			±1.5		%
Load Regulation	10%~100% Load			±2.5		%
No Load				0.1	0.15	W
Ripple & Noise	Vi nom,lo nom, BW=20MHz			80	120	mVp-p
Protection	Over Load		Above 110% rated output power			
	Short circuit		Protection type: Recovers automatically after fault condition is removed			

Note: The product is able to work with 0% - 10% load and with stable output.

General Specifications					
Parameters	Conditions	Min	Typ	Max	Units
Switching Frequency	Vi nom,lo nom		60		KHz
Isolation Voltage	Input / Output	3KVac/ 5mA/5Secs			
Isolation Resistance	Input / Output,@500 Vdc	100			MΩ
Operating Temperature	Refer to Temperature Derating Graph	-40		+85	°C
Storage Temperature	Non Operational	-40		+105	°C
Relative Humidity	Vi nom,lo nom			85	% RH
Safety Standards	Design refer to UL62368-1,IEC62368-1				
EMI Conduction & Radiation	EN55032,CLASS B(See Fig. 1 for recommended circuit)				
EMS Immunity	EN61000 (See Fig. 1 for recommended circuit)				
Dimension	L35.0 x W11.0 x H18.0 mm				
Cooling	Free air convection				



### Markings and dimensions

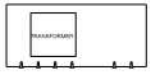


PIN	Model
	Single
1	ACN
3	ACL
5	+V(cap)
7	-V(cap)
10	-Vo
12	+Vo

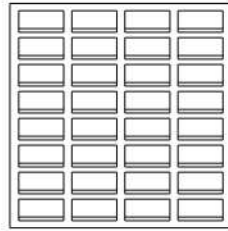
UNIT:mm Unless otherwise specified,all tolerances are ±0.5

**3Watt,Single Output,AC-DC Open Frame Converter**

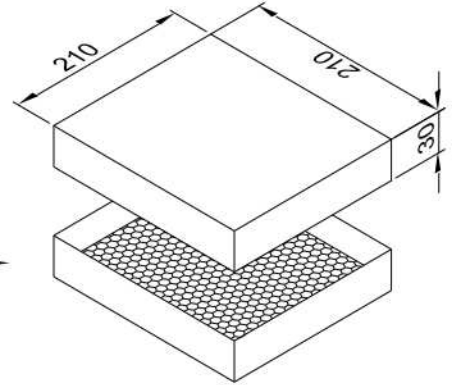
- 1. Weight:4.8grams/pcs
- 2. outer carton unit : 320pcs/box
- 3. Weight: 3.8kg per carton



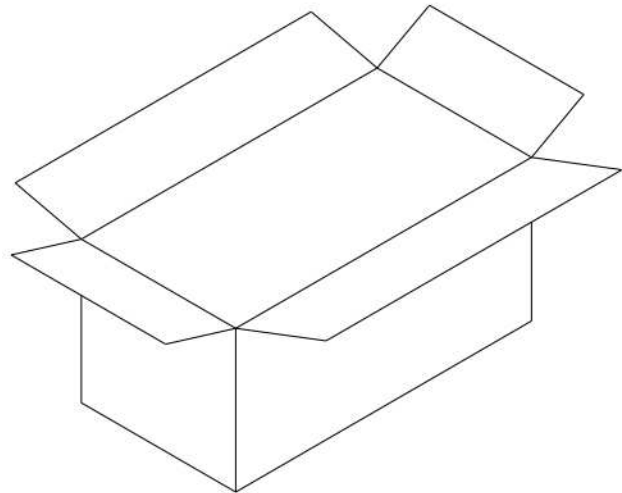
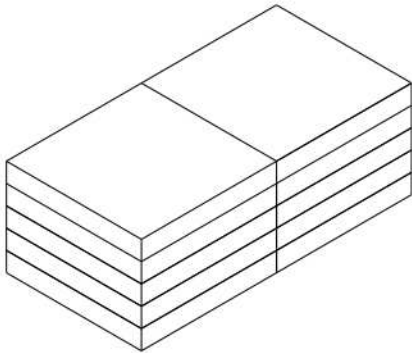
Mechanicals



32Pcs/BOX



Box Size:210x210x30



Outer carton: 460x240x220mm

UNIT:mm