

### FEATURES:

- Universal Input 85~305VAC
- Efficiency at 79% Typical
- Protection: Short Circuit /Over Load
- No-load power consumption 0.1W
- 2 Years Warranty
- ROHS Compliant



Specifications typical at TA=25°C, nominal input voltage and rated output current unless otherwise specified

Part Number	Output Wattage	Output Voltage	Output Current		Efficiency	Max. Capacitive Load
	(W)	(V)	(mA)(min)	(mA)(max)	%(TYP)	( $\mu$ F)
GS5H1-S15C01	5.0	Vo=+15.0	34	340	79	330

### Input Specifications

Parameters	Conditions		Min	Typ	Max	Units
Rated input voltage	Vo,lo nom			100-277		Vac
Voltage Range	Vo,lo nom	AC in	85		305	Vac
		DC in	70		430	Vdc
Frequency			47		63	Hz
Input Current	Io nom	Vi:115VAC			0.20	A
		Vi:230VAC			0.10	A
Inrush Current	Io nom	Vi:115VAC		20		A
		Vi:230VAC		40		A

### Output Specifications

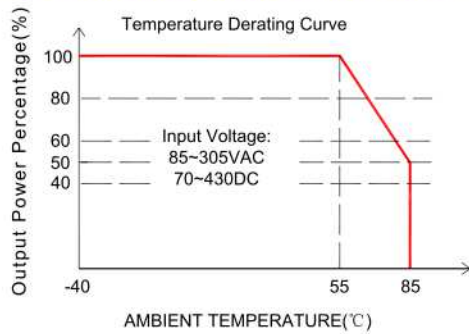
Parameters	Conditions	Min	Typ	Max	Units
Output Voltage Accuracy	10% - 100% load		$\pm 5$		%
Minimum Load	Vi nom	10			%
Line Regulation	Io nom, Vi min...Vi max		$\pm 1.5$		%
Load Regulation	10%~100% Load		$\pm 3.0$		%
No Load	230VAC		0.10	0.15	W
Ripple & Noise	Vi nom, Io nom, BW=20MHz		80	150	mVp-p
Protection	Over Load	Above 110% rated output power			
	Short circuit	Recoveres automatically after fault condition is removed			

Note: 1. The product is able to work with 0% - 10% load and with stable output.

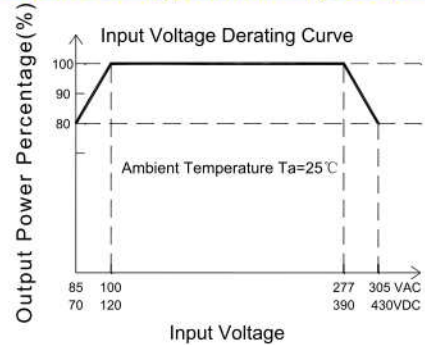
## 5.0Watt,Single Output,AC-DC Open Frame Converter

General Specifications					
Parameters	Conditions	Min	Typ	Max	Units
Switching Frequency	$V_i$ nom, $I_o$ nom		65		KHz
Isolation Voltage	Input / Output	3.6KVac/ 5mA/5Secs			Vac
		5KVdc/ 5mA/5Secs			Vdc
Operating Temperature	Refer to Temperature Derating Graph	-40		+85	°C
Storage Temperature	Non Operational	-40		+105	°C
Relative Humidity	$V_i$ nom, $I_o$ nom			95	% RH
Safety Standards	UL 62368-1, IEC62368-1 approved				
EMI Conduction & Radiation	EN55032, CLASS B (See Fig. 2 for recommended circuit)				
EMS Immunity	EN61000-3-2 (See Fig. 2 for recommended circuit)				
Dimension GS5H1-SXX(F)	L26.4 x W14.73 x H11.0 mm				
Cooling	Free air convection				

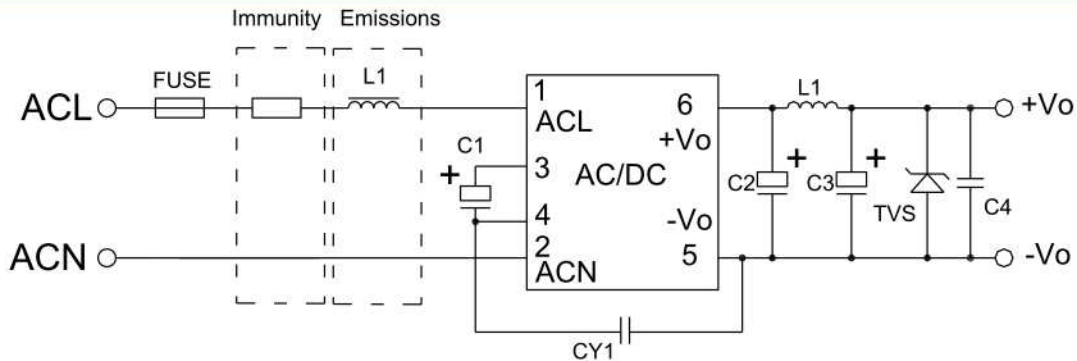
### Temperature Derating Graph



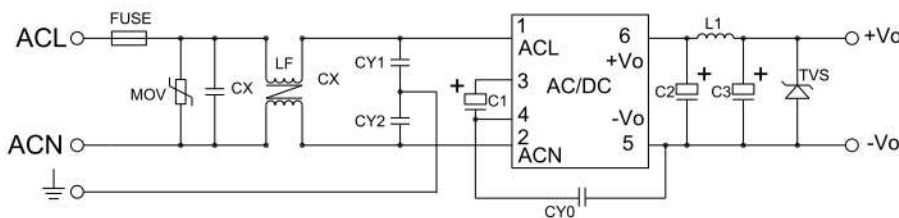
### Input Voltage Derating Graph



### Basic application

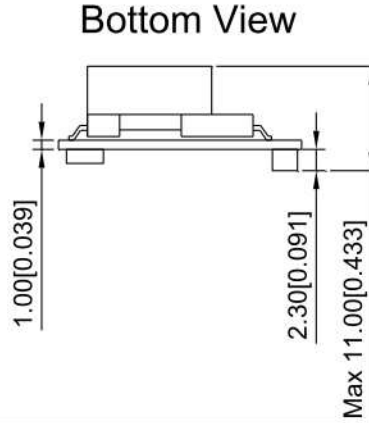
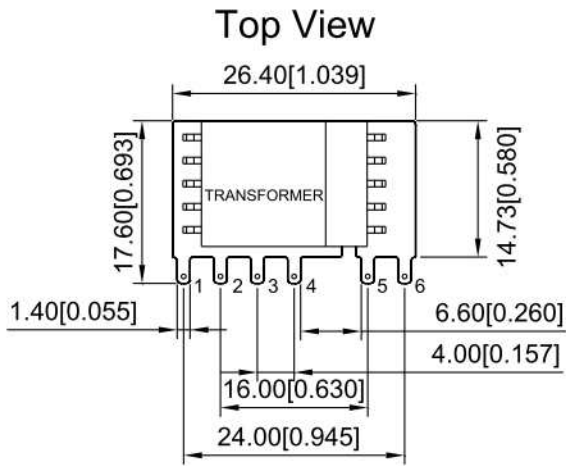


### EMC Solution-Recommended Circuit



	3.3~24V	3.3~5V	9~15V	24V
FUSE	300V/2A			
MOV	14D561K			
LF	UU9.8.30mH Mn			
CX	0.1uF/310V			
CY1	470pF/250V			
CY2				
TVS	SMBJ7.0A	SMBJ12A	SMBJ20A	SMBJ30A

### Markings and dimensions

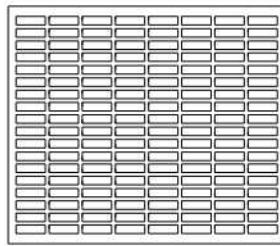


PIN	Model
1	ACL
2	ACN
3	+V(cap)
4	-V(cap)
5	-Vo
6	+Vo

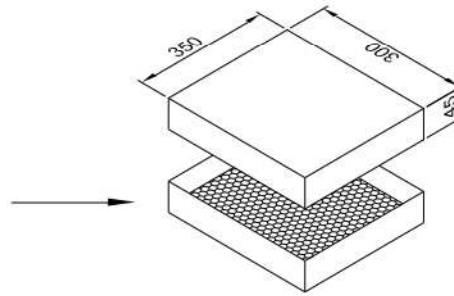
Note:  
 Unit: mm(inch)  
 Pin section tolerances: +0.15(+0.006)  
 General tolerances: +1.0(+0.040)

### Package

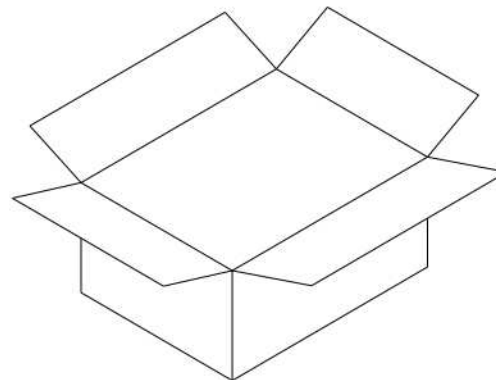
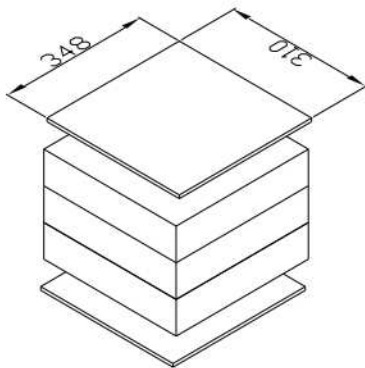
1. Weight: 5.5grams/pcs
2. outer carton unit : 432pcs/box
3. Weight: 4.1kg per carton



144Pcs/BOX



Box Size: 350x300x45



Outer carton: 375x320x160mm

UNIT:mm