

Features

- 3PIN SIP Package
- Pin-out compatible with LM78XX Linears
- UL94V-0 Package Material
- Operating Temperature:-40°C TO +82°C
- Efficiency up to 93%
- Non isolated, no need for heatsinks
- Short circuit protection



**NON-ISOLATED
DC/DC Converter**

Input Specifications

Input Voltage Range	:6.5~36Vdc	@When the input voltage is greater than 32V · a Pi filter must be added to the input.
Input current no load	:20mA TYP	

Output Specifications

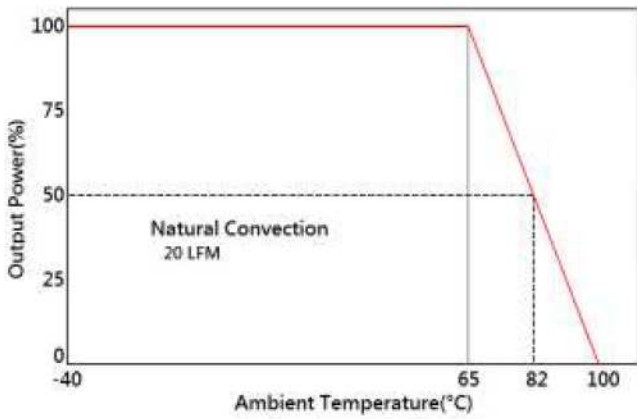
Output Voltage	:5Vdc	
Output Voltage Accuracy	:±3%	@Vout=4.85~5.15Vdc@Vin=6.5~36Vdc
Output Current	:2000mA	
Efficiency	:93% TYP	@Min Vin
	:89% TYP	@Max Vin
Ripple / Noise	:100mVp-p MAX	@20MHz Bandwidth
Short Circuit Protection	:Continuous	@automatics recovery
Line Regulation	:±0.5% MAX	@ LL to HL at Full Load
Load Regulation	:±0.5% MAX	@10% to 100% Load
Capacitive load	:900uF MAX	

General Specifications

Operating Temperature Range	: -40°C ~ +82°C (with derating)	Output load derate 2.86% per degree Celsius above 65°C as refer to temperature derating graph.
Storage Temperature	: -55°C ~ +125°C	
Switching Frequency	: 500KHz TYP	
Humidity	: 95% MAX	
Cooling	: Natural Convection	@20LFM
MTBF	: >1630000 Hours @25°C	MIL-HDBK-217F@25°C,Ground Benign.
Weight	: 4.0g TYP	

Temperature Derating Graph

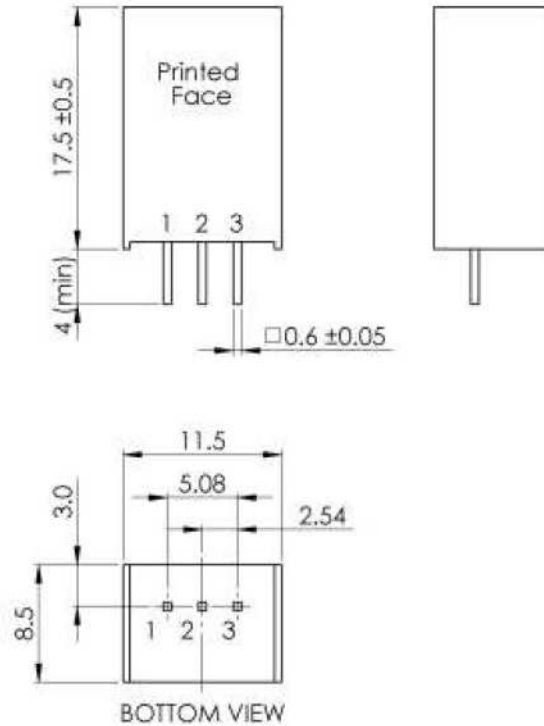
Part Number



01D - 05 - 2A
 A B C

- A: Series
- B: Output Voltage
- C: Output Current

Outline Dimensions

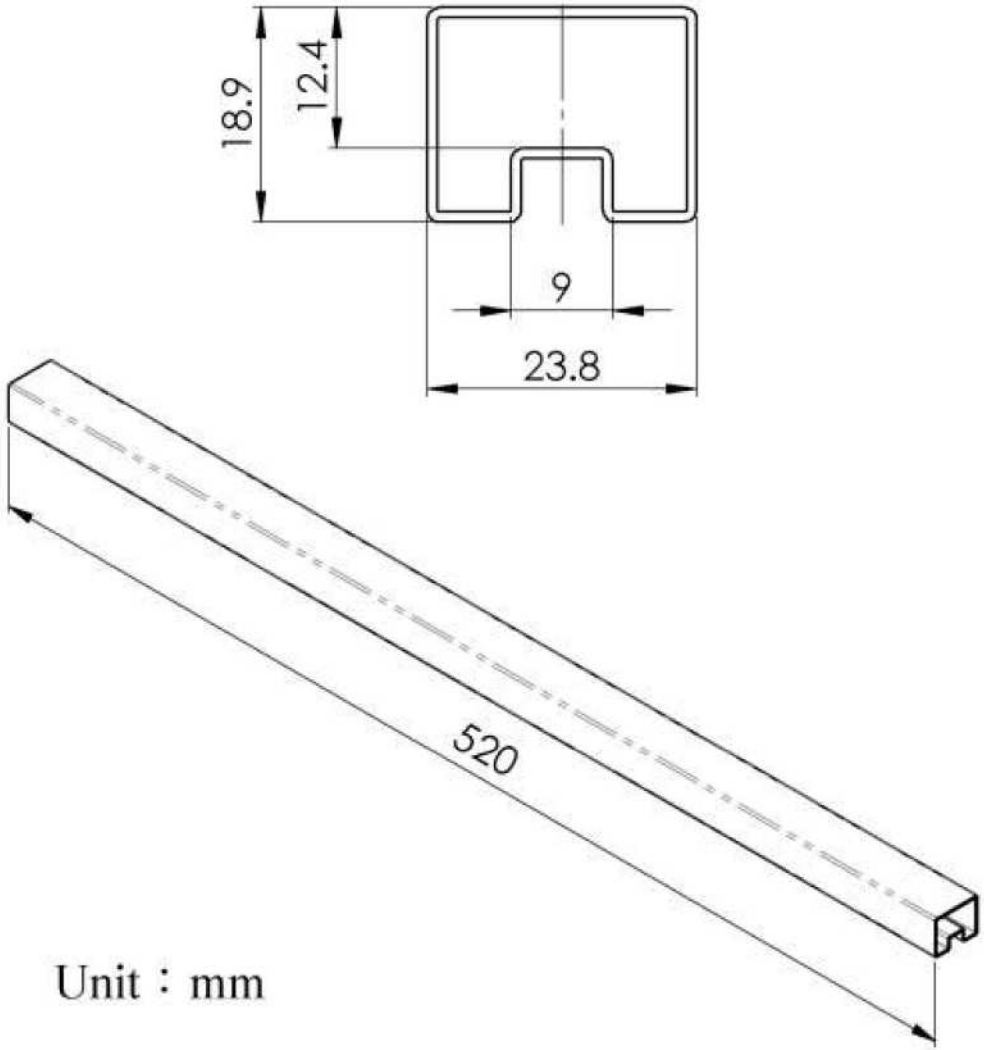


Unit : mm
 Tolerance : XX.X ± 0.5 , XX.XX ± 0.25

PIN Assignment

PIN	1	2	3
FUNCTION	+Vin	GND	+Vout

Packing Formation



Unit : mm

Weight	: 4.0 grams/pcs
Tube	: 42 pcs