

Features

- Open frame package
- Remote On/Off
- Adjustable output voltages
- Operating Temperature:-40°C TO +60°C
- Efficiency up to 95%
- Non isolated, no need for heatsinks
- Short circuit protection



**NON-ISOLATED
DC/DC Converter**

Input Specifications

Input Voltage Range	:10~30Vdc	Input voltage must be at least 3.0V higher than output voltage
Input current no load	:30mA TYP.	

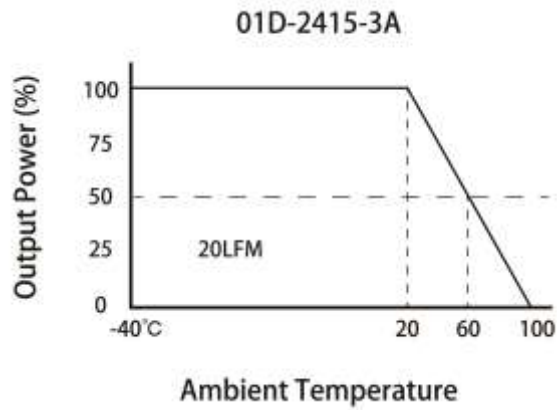
Output Specifications

Output Voltage	:5Vdc~15Vdc	
Output Voltage Accuracy	: ±3%	@ Vout=4.85~15.45 @ Vin=10~30Vdc
Output Current	:3000mA	
Efficiency	:95% TYP.	@ Vout=12Vdc @ Vin=24Vdc
Ripple / Noise	:150mVp-p MAX.	@20MHz Bandwidth
Short Circuit Protection	: Continuous	@automatics recovery
Line Regulation	: ±0.2% MAX.	@ LL to HL at Full Load
Load Regulation	: ±0.8% MAX.	@0% to 100% Load

General Specifications

Operating Temperature Range	: -40°C ~ +60°C (with derating)	Output load derate 1.25% per degree Celsius above 20°C as refer to temperature derating graph.
Storage Temperature	: -55°C ~ +125°C	
Switching Frequency	:300KHz TYP.	
Humidity	:95% MAX.	
Cooling	: Natural Convection	@20LFM
MTBF	:>4.4 x 10 ⁶ Hours @25°C	MIL-HDBK-217F@25°C, Ground Benign.
Weight	:2.0g TYP.	
Conducted Emission	: EN55022 Class A	
Radiated Emission	: EN55022 Class A	

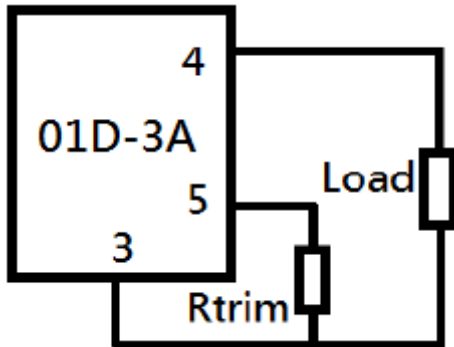
Temperature Derating Graph **Part Number**



01D – 24 15 – 3A
 A B C D

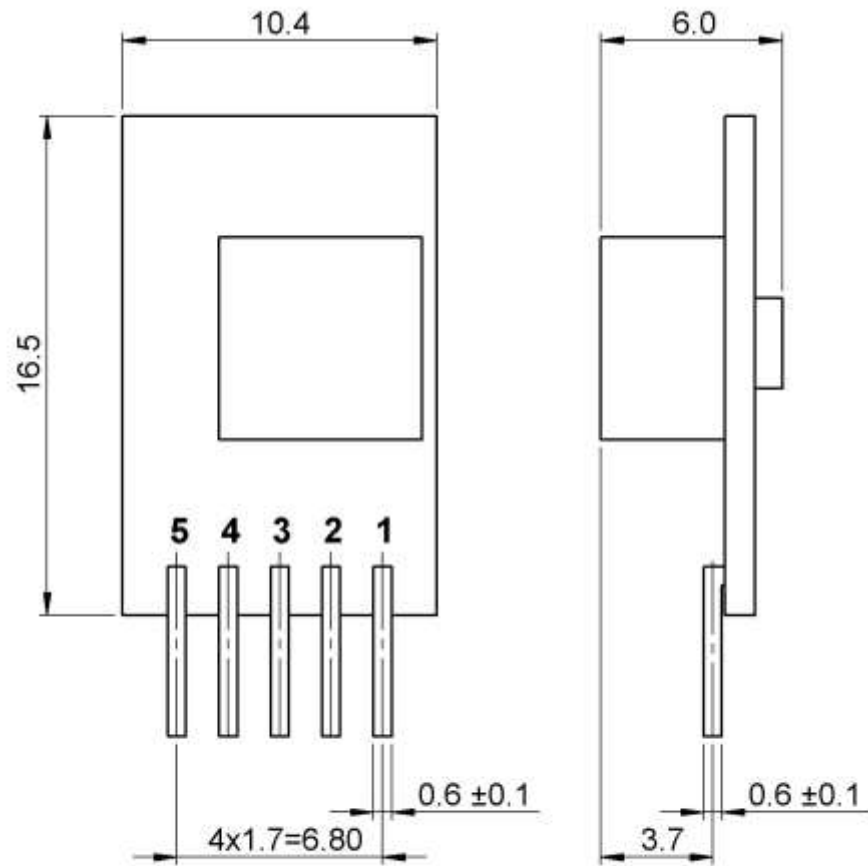
- A: Series
- B: Input Voltage
- C: Maximum Output Voltage
- D: Output Current

Trim Applications



Part Number	R trim [KΩ]
01D-2415-3A	8.4/(Vo-5)

Outline Dimensions



Unit : mm

Tolerance : XX.X ± 0.5 , XX.XX ± 0.25

PIN Assignment

PIN	1	2	3	4	5
FUNCTION	Remote On/Off	+Vin	GND	+Vout	Trim