

**Features**

- 3PIN SIP Package
- Pin-out compatible with LM78XX Linear
- UL94V-0 Package Material
- Operating Temperature:-40°C TO +85°C
- Efficiency up to 95%
- Non isolated, no need for heatsinks
- Short circuit protection



**NON-ISOLATED  
DC/DC Converter**

**Input Specifications**

Input Voltage Range	:15~36Vdc
Input current no load	:2mA TYP

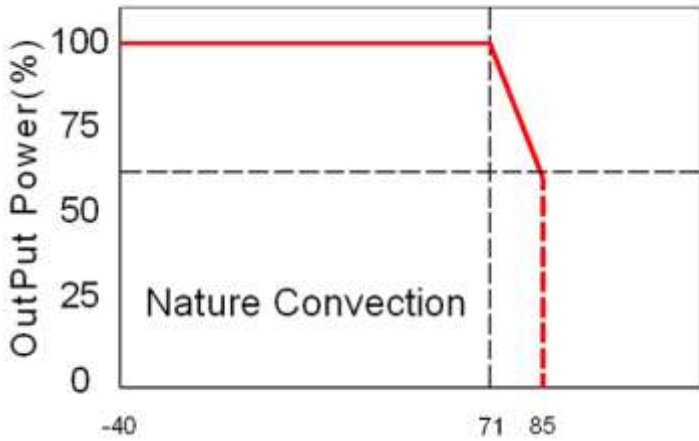
**Output Specifications**

Output Voltage	:12Vdc	
Output Voltage Accuracy	:±2%	@Vout=11.76~12.24Vdc @Vin=15~36Vdc
Output Current	:1000mA	
Efficiency	:95% TYP @Min Vin	
	:92% TYP @Max Vin	
Ripple / Noise	:75mVp-p MAX	@20MHz Bandwidth
Short Circuit Protection	:Continuous	@auto-recovery
Line Regulation	:±0.3% MAX	@ at Full Load
Load Regulation	:±0.4% TYP	@10% to 100% load
Capacitive Load	470 μF max	

**General Specifications**

Operating Temperature Range	:-40°C ~ +85°C (with derating)	Output load derate 2.86% per degree Celsius above 71°C as refer to temperature derating graph.
Storage Temperature	:-55°C ~ +125°C	
Switching Frequency	:440KHz TYP	
Humidity	:95% MAX	
Cooling	: Natural convection	@(20 LFM)
MTBF	:>5000x10 <sup>3</sup> Hours	MIL-HDBK-217F@25°C,Ground Benign.
Weight	:2.0g TYP	
Conducted Emission	:EN55022 Class A	
Radiated Emission	:EN55022 Class A	

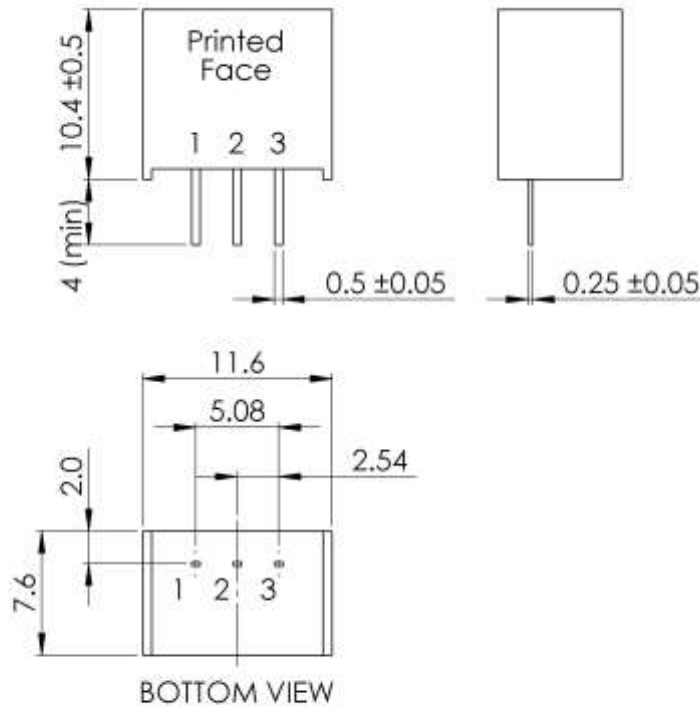
**Temperature Derating Graph** **Part Number**



01DC - 12 - 1A  
 A            B            C

A: Series  
 B: Output Voltage  
 C: Output Current

**Outline Dimensions**

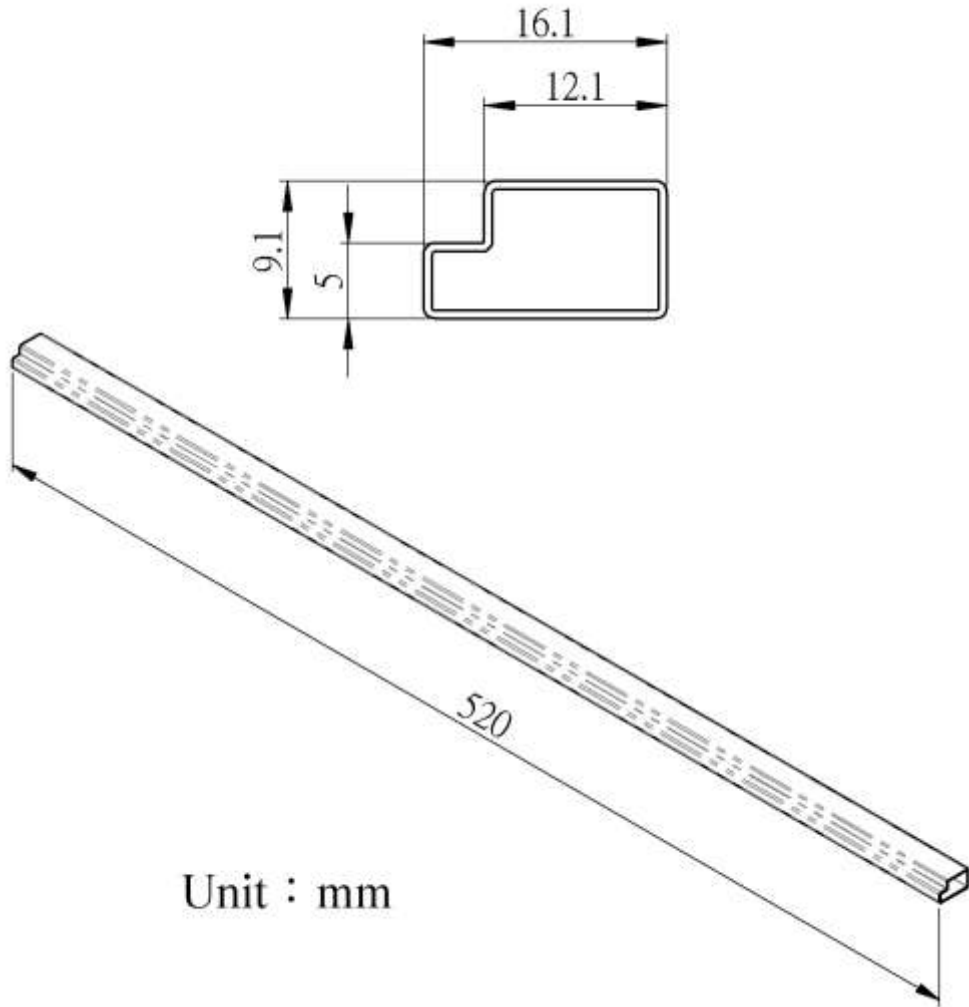


Unit : mm  
 Tolerance : XX.X ± 0.5 , XX.XX ± 0.25

**PIN Assignment**

PIN	1	2	3
FUNCTION	+Vin	GND	+Vout

**Packing Formation**



Unit : mm

<b>Weight</b>	<b>: 2.0 grams/pcs</b>
<b>Tube</b>	<b>: 43 pcs</b>