

Features

- 3PIN SIP Package
- Pin-out compatible with LM78XX Linear
- UL94V-0 Package Material
- Operating Temperature:-40°C TO +85°C
- Efficiency up to 95%
- Non isolated, no need for heatsinks
- Short circuit protection



**NON-ISOLATED
DC/DC Converter**

Input Specifications

Input Voltage Range	:18~36Vdc
Input current no load	:2mA TYP

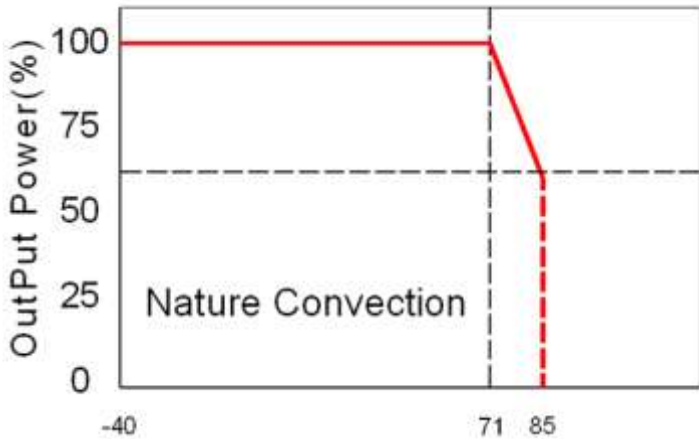
Output Specifications

Output Voltage	:15Vdc	
Output Voltage Accuracy	:±3%	@Vout=14.55~15.45Vdc @Vin=18~36Vdc
Output Current	:500mA	
Efficiency	:95% TYP @Min Vin	
	:93% TYP @Max Vin	
Ripple / Noise	:75mVp-p MAX	@20MHz Bandwidth
Short Circuit Protection	:Continuous	@auto-recovery
Line Regulation	:±0.3% MAX	@ at Full Load
Load Regulation	:±0.4% TYP	@10% to 100% load
Capacitive Load	680 μF max	

General Specifications

Operating Temperature Range	:-40°C ~ +85°C (with derating)	Output load derate 2.86% per degree Celsius above 71°C as refer to temperature derating graph.
Storage Temperature	:-55°C ~ +125°C	
Switching Frequency	:440KHz TYP	
Humidity	:95% MAX	
Cooling	: Natural convection	@(20 LFM)
MTBF	:>5000x10 ³ Hours	MIL-HDBK-217F@25°C,Ground Benign.
Weight	:2.0g TYP	
Conducted Emission	:EN55022 Class A	
Radiated Emission	:EN55022 Class A	

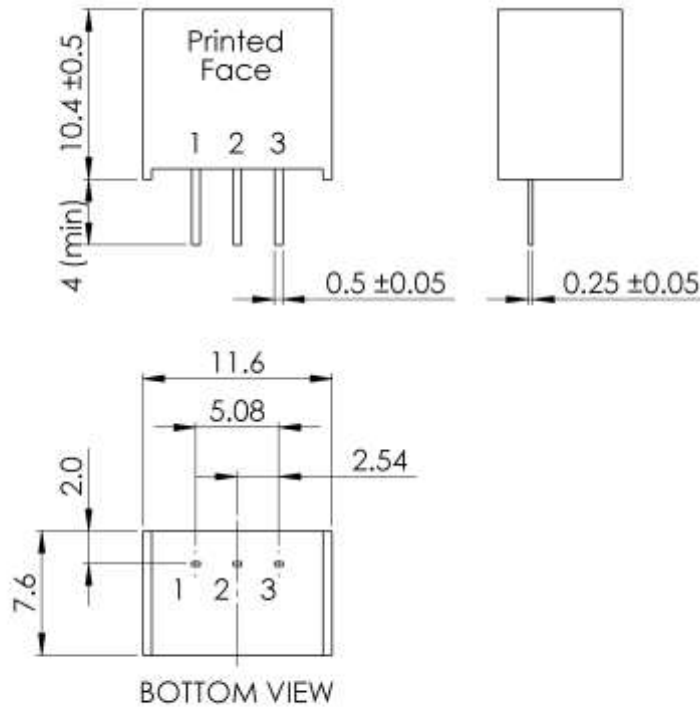
Temperature Derating Graph **Part Number**



01DC - 15 - 500
 A B C

A: Series
 B: Output Voltage
 C: Output Current

Outline Dimensions

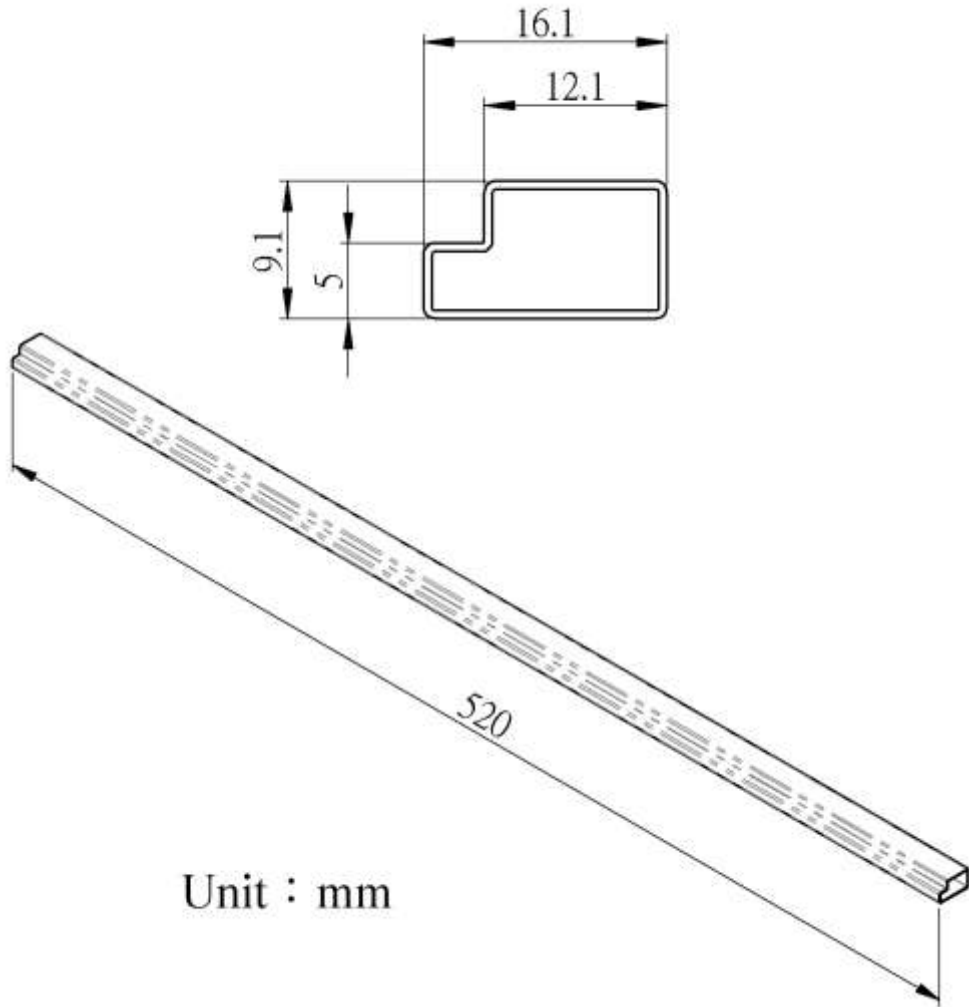


Unit : mm
 Tolerance : XX.X ± 0.5 , XX.XX ± 0.25

PIN Assignment

PIN	1	2	3
FUNCTION	+Vin	GND	+Vout

Packing Formation



Unit : mm

Weight	: 2.0 grams/pcs
Tube	: 43 pcs