

**Features**

- 3PIN SIP Package
- Pin-out compatible with LM78XX Linear
- UL94V-0 Package Material
- Operating Temperature:-40°C TO +85°C
- Efficiency up to 91%
- Non isolated, no need for heatsinks
- Short circuit protection



**NON-ISOLATED  
DC/DC Converter**

**Input Specifications**

|                       |             |
|-----------------------|-------------|
| Input Voltage Range   | :4.75~36Vdc |
| Input current no load | :2mA TYP    |

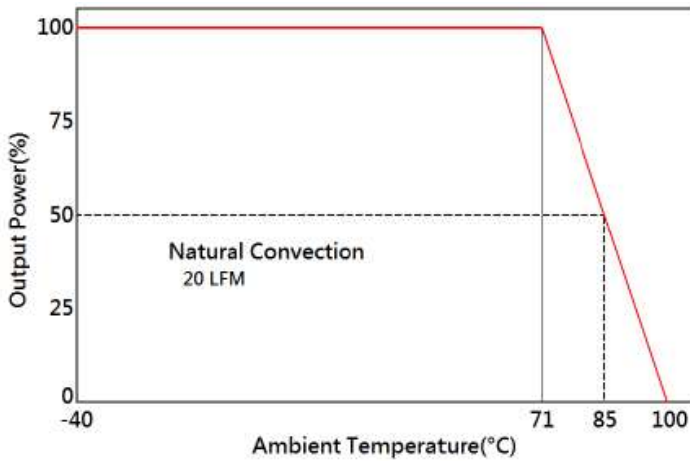
**Output Specifications**

|                          |                   |                                      |
|--------------------------|-------------------|--------------------------------------|
| Output Voltage           | :3.3Vdc           |                                      |
| Output Voltage Accuracy  | :±2%              | @Vout=3.234~3.366Vdc @Vin=4.75~36Vdc |
| Output Current           | :500mA            |                                      |
| Efficiency               | :91% TYP @Min Vin |                                      |
|                          | :81% TYP @Max Vin |                                      |
| Ripple / Noise           | :30mVp-p MAX      | @20MHz Bandwidth                     |
| Short Circuit Protection | :Continuous       | @auto-recovery                       |
| Line Regulation          | :±0.4% MAX        | @ at Full Load                       |
| Load Regulation          | :±0.6% TYP        | @10% to 100% load                    |
| Capacitive load          | :220uF MAX        |                                      |

**General Specifications**

|                             |                                |  |
|-----------------------------|--------------------------------|--|
| Operating Temperature Range | :-40°C ~ +85°C (with derating) | Output load derate 2.86% per degree Celsius above 71°C as refer to temperature derating graph. |
| Storage Temperature         | :-55°C ~ +125°C                |  |
| Switching Frequency         | :440KHz TYP                    |  |
| Humidity                    | :95% MAX                       |  |
| Cooling                     | : Natural convection           | @20LFM   |
| MTBF                        | :>5000000 Hours                | MIL-HDBK-217F@25°C,Ground Benign.  |
| Weight                      | :2.0g TYP                      |  |
| Conducted Emission          | :EN55022 Class A               |  |
| Radiated Emission           | :EN55022 Class A               |  |

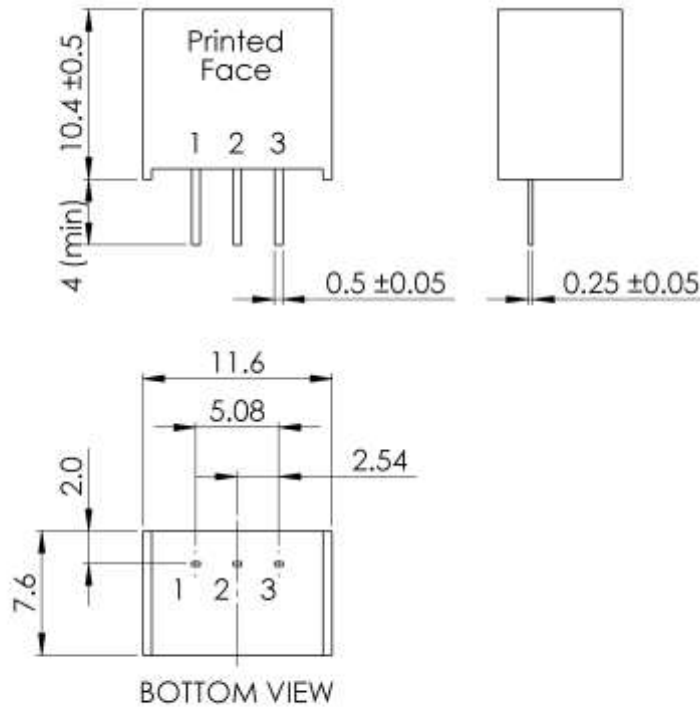
**Temperature Derating Graph** **Part Number**



01DC — 3R3 — 500  
 A                      B                      C

A: Series  
 B: Output Voltage  
 C: Output Current

**Outline Dimensions**

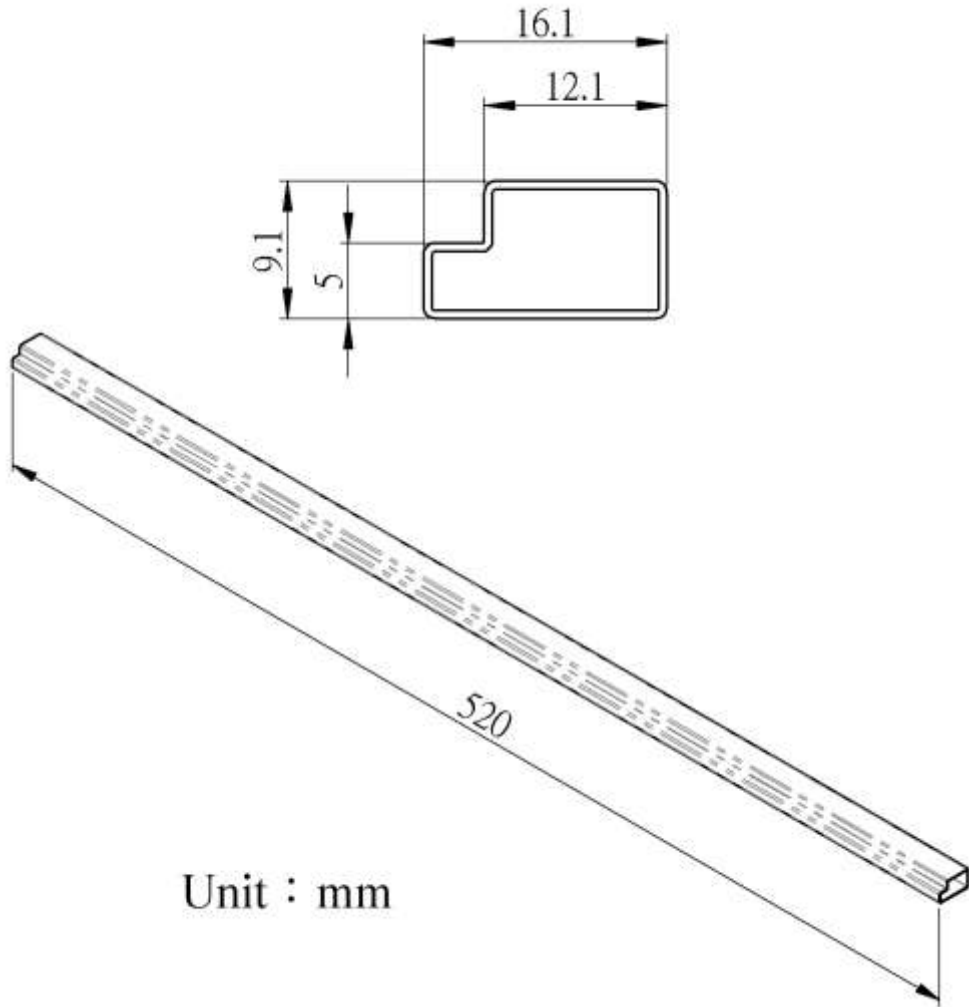


Unit : mm  
 Tolerance : XX.X ± 0.5 , XX.XX ± 0.25

**PIN Assignment**

| PIN      | 1    | 2   | 3     |
|----------|------|-----|-------|
| FUNCTION | +Vin | GND | +Vout |

**Packing Formation**



Unit : mm

|               |                        |
|---------------|------------------------|
| <b>Weight</b> | <b>: 2.0 grams/pcs</b> |
| <b>Tube</b>   | <b>: 43 pcs</b>        |