

**Features**

- 3PIN SIP Package
- Pin-out compatible with LM78XX Linears
- Operating Temperature:-40°C TO +85°C
- Efficiency up to 93%
- Non isolated,no need for heatsinks
- Short circuit protection, Thermal shutdown



**NON-ISOLATED  
DC/DC Converter**

**Input Specifications**

Input Voltage Range	:6.5~36Vdc
Input current	:2mA TYP

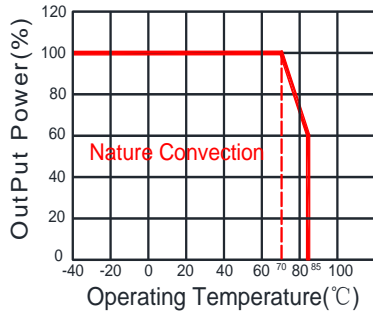
**Output Specifications**

Output Voltage	:5Vdc	
Output Voltage Range	:3%	@Vout=4.85~5.15Vdc @Vin=6.5~36Vdc
Output Current	:1000mA	
Efficiency	:93% TYP @Min Vin	
	:86% TYP @Max Vin	
Ripple / Noise	:75mVp-p MAX	@20MHz Bandwidth
Short Circuit Protection	:Short term	
Line Regulation	:±0.5% MAX	@LL to HL at Full Load
Load Regulation	:±0.6% MAX	@10% to 100% load

**General Specifications**

Operating Temperature Range	:-40°C ~ +85°C (with derating)	
Storage Temperature	:-55°C ~ +125°C	
Switching Frequency	:400KHz	
Humidity	:95% MAX	
Cooling	:Natural Convection	@20LFM
MTBF	:>7395000 Hours	MIL-HDBK-217F@25°C,Ground Benign.
Weight	:4.0g TYP	
Conducted Emission	:EN55022 Class A	
Radiated Emission	:EN55022 Class A	

Temperature Derating Graph



Part Number

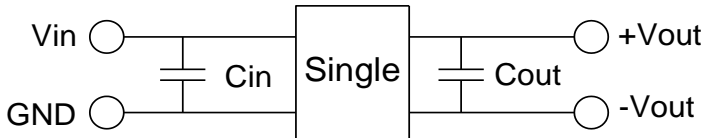
01DC2 - 05 - 1A  
 A B C

A: Series

B: Output Voltage

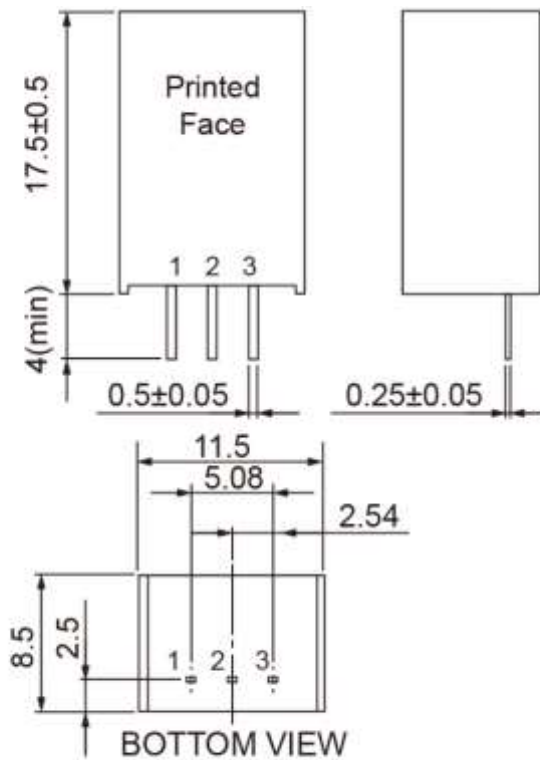
C: Output Current

Outline Dimensions



Vin	Cin	Single Vout	Cout
24Vdc	10μF/50V	5Vdc	22μF/10V

To make sure the product work at perfect operation status with full loading external capacitor is necessary and it is recommended to use high frequency low resistance electrolytic capacitor

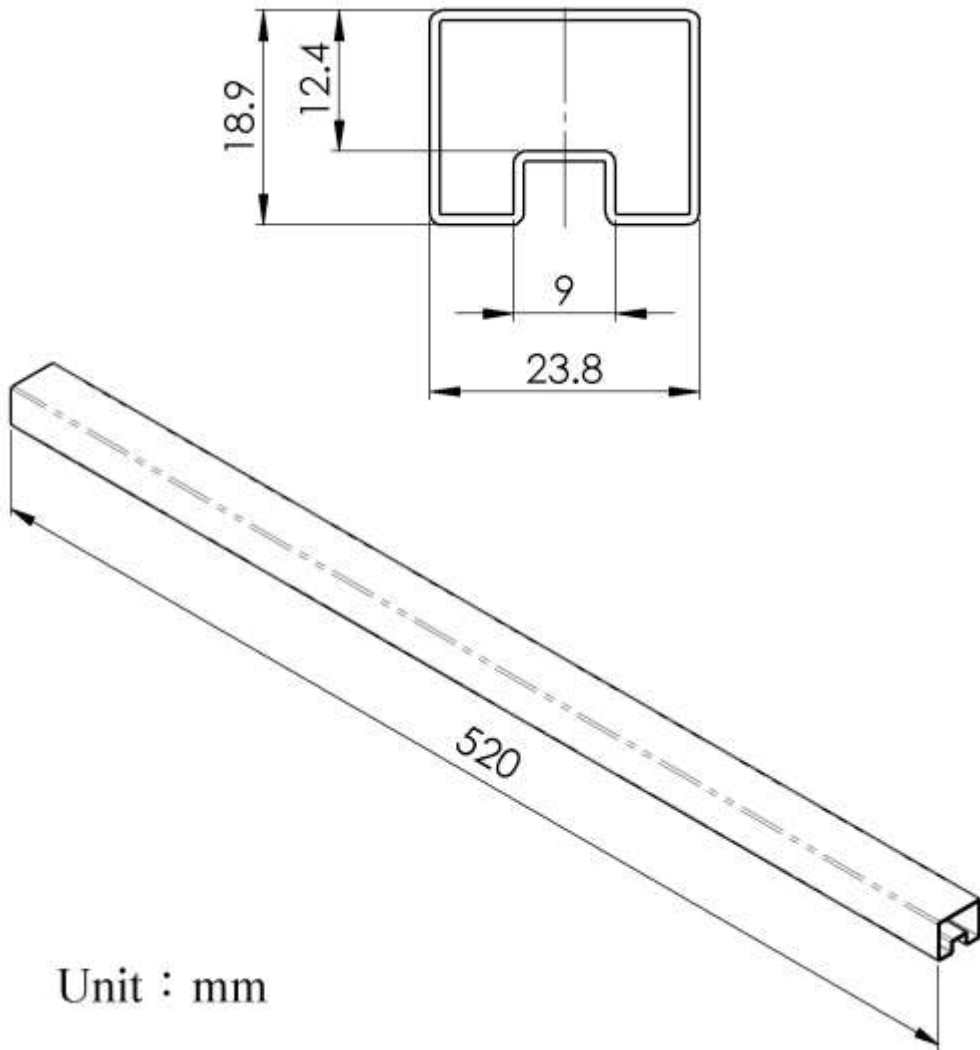


Unit : mm Tolerance : XX.X±0.5 , XX.XX±0.25

PIN Assignment

PIN	1	2	3
FUNCTION	+Vin	GND	+Vout

**Packing Formation**



Unit : mm

<b>Weight</b>	<b>: 4.0 grams/pcs</b>
<b>TUBE</b>	<b>: 42 pcs</b>