

Features

- 1WATT SIP PACKAGE
- EFFICIENCY TO 83%
- 100% BURNED IN
- UL 94V-0 PACKAGE MATERIAL
- CUSTOM SOLUTIONS AVAILABLE
- UNREGULATED OUTPUT TYPES



**1 Watt DC/DC
Converter**

1 Watt Single O/P
Isolated DC-DC Converter

Input Specifications

Input Voltage	:5Vdc
Input Voltage Range	:± 10%

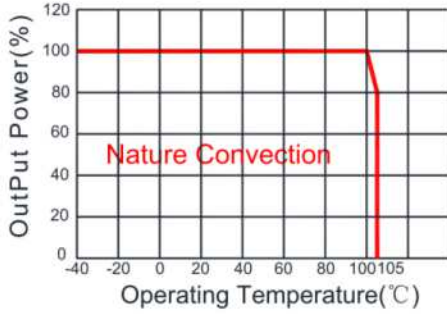
Output Specifications

Output Voltage	:9Vdc	
Output Voltage Accuracy	:± 5%	@Vout=8.55-9.45Vdc@Vin=5Vdc
Output Current	:112mA	
Efficiency	:83% TYP	
Ripple / Noise	:75mVp-p MAX	@20MHz Bandwidth
Short Circuit Protection	:Continuous	
Line Regulation	:± 1.2% TYP	@ For 1.0% OF Vin
Load Regulation	:± 10% MAX	@10% to 100% full load

General Specifications

Operating Temperature Range	:-40°C ~ +105°C	
Storage Temperature	:-55°C ~ +125°C	
Switching Frequency	:250KHz TYP	
Isolation Capacitance	:20pF TYP	@100KHz, 0.1V
Humidity	:95% MAX	
Isolation Voltage	:6400Vdc	@Input to Output (60sec/0.5mA)
Isolation Resistance	:10000MΩ MIN	@ 500Vdc
Cooling	:Free air convection	
MTBF	:>3500000 Hours	MIL-HDBK-217F@25°C,Ground Benign.
Case Material	:DAP	
Weight	:4.0g TYP	

Temperature Derating Graph



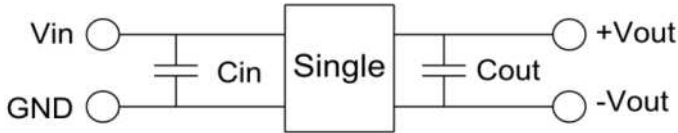
Part Number

12D1C - 05 S 09 N

A B C D E

A:Series
 B:Input Voltage
 C:Single Output
 D:Output Voltage
 E:Unregulated(N)

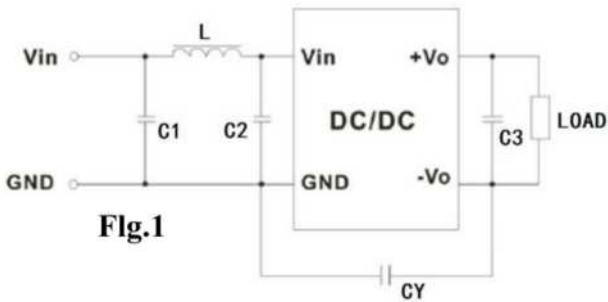
Recommended Test Circuit



Vin	Cin	Single Vout	Cout
5Vdc	4.7µF/25V	9Vdc	2.2µF/16V

To make sure the product work at perfect operation status with full loading external capacitor is necessary and it is recommended to use high frequency low resistance electrolytic capacitor.

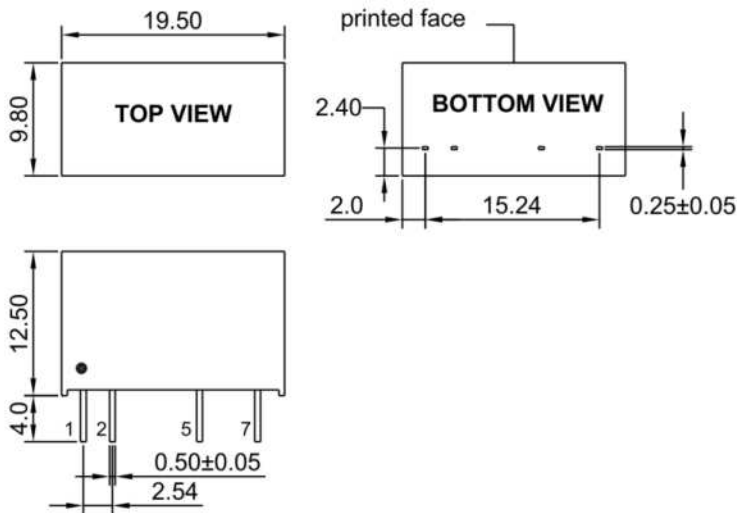
EMC (CLASS B) compliance circuit



EMC recommended circuit value table

EMI	Component	Value
	C1	4.7µF /50V
	C2	4.7µF /50V
	CY	1nF/4kV
	C3	Recommended Test Circuit
	L	6.8µH

Outline Dimensions



UNIT:mm Unless otherwise specified,all tolerances are ±0.25

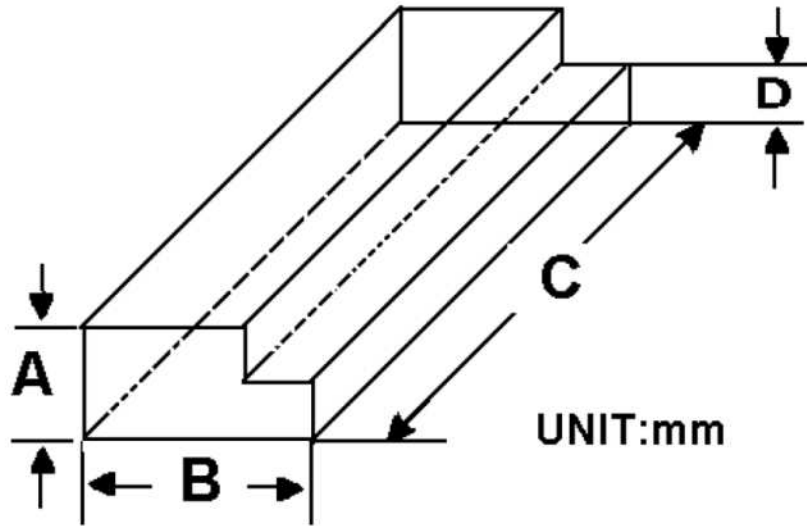
PIN	1	2	5	7
Single	+Vin	-Vin	-Vout	+Vout

Packing Information:

Weight----- 4.0grams/pcs

TUBE-----25pcs

Weight: 135.5g per tube



Size(mm)			
A	B	C	D
12.0	28.55	550	6.00

Outer carton unit: 2400pcs/96Tube/box

Weight: 14.0kg per carton

