

Features

- 1WATT SIP PACKAGE
- EFFICIENCY TO 78%
- 100% BURNED IN
- UL 94V-0 PACKAGE MATERIAL
- CUSTOM SOLUTIONS AVAILABLE
- UNREGULATED OUTPUT TYPES
- Design refer to EN60601-1, ANSI/AAMI ES60601-1



**1 Watt DC/DC
Converter**

**1 Watt Single O/P
Isolated DC-DC Converter**

Input Specifications

Input Voltage	:24Vdc
Input Voltage Range	:±10%

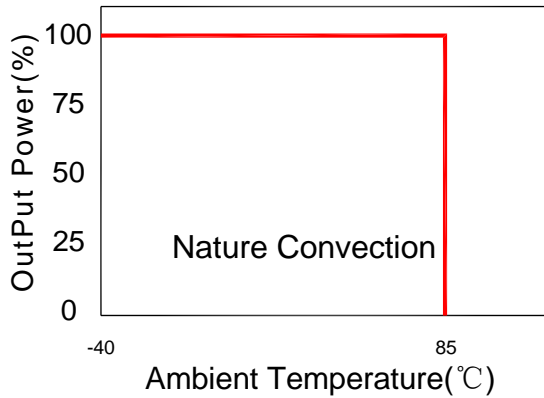
Output Specifications

Output Voltage	:15Vdc	
Output Voltage Accuracy	:±5%	@Vout=14.25-15.75Vdc@Vin=24Vdc
Output Current	:67mA	
Efficiency	:74% MIN,78% TYP	
Ripple / Noise	:70mVp-p TYP,120mVp-p MAX	@20MHz Bandwidth
Short Circuit Protection	:Continuous	
Line Regulation	:±1.2% TYP	@ For 1.0% OF Vin
Load Regulation	:±15% MAX	@10% to 100% full load

General Specifications

Operating Temperature Range	:-40°C ~ +85°C	
Storage Temperature	:-55°C ~ +125°C	
Switching Frequency	:100KHz TYP	
Isolation Capacitance	:5pF TYP	@100KHz, 1V
Humidity	:95% MAX	
Isolation Voltage	:4200Vac	@Input to Output (60sec/0.5mA)
Isolation Voltage	:6000Vdc	@Input to Output (60sec/0.5mA)
Isolation Resistance	:1000MΩ MIN	@ 500Vdc
Cooling	:Free air convection	
MTBF	:>3500000 Hours	MIL-HDBK-217F@25°C,Ground Benign.
Case Material	:DAP	
Weight	:4.0g TYP	

Temperature Derating Graph

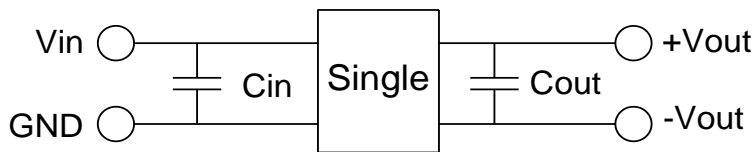


Part Number

12D1M - 24 S 15 N
 A B C D E

A:Series
 B:Input Voltage
 C:Single Output
 D:Output Voltage
 E:Unregulated(N)

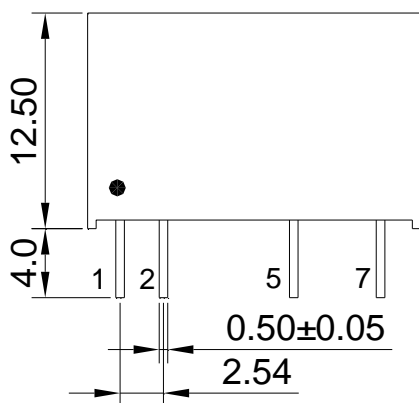
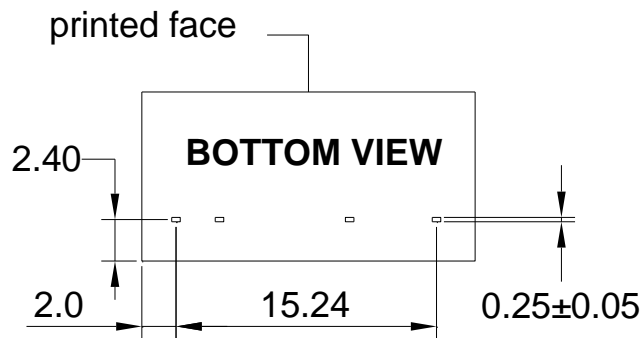
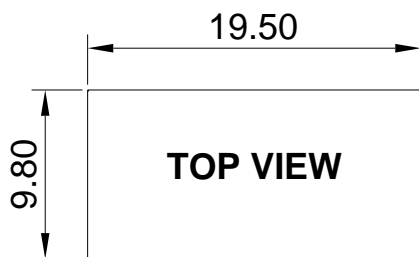
Recommended Test Circuit



Vin	Cin	Dual Vout	Cout
24Vdc	1μF/50V	15Vdc	1μF/50V

To make sure the product work at perfect operation status with full loading external capacitor is necessary and it is recommended to use high frequency low resistance electrolytic capacitor.

Outline Dimensions



UNIT:mm Unless otherwise specified,all tolerances are ±0.25

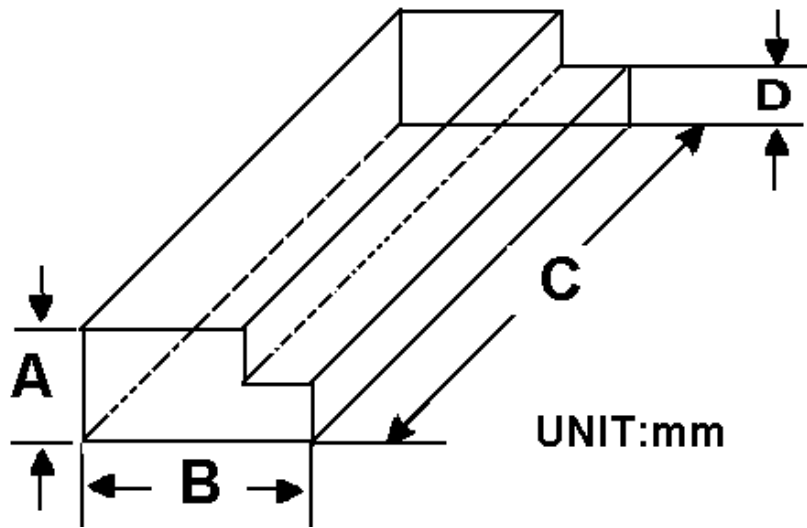
PIN	1	2	5	7
Single	+Vin	-Vin	-Vout	+Vout

Packing Information:

Weight----- 4.0grams/pcs

TUBE-----25pcs

Weight: 135.5g per tube



Size(mm)			
A	B	C	D
12.0	28.55	550	6.00

Outer carton unit: 2400pcs/96Tube/box

Weight: 14.0kg per carton

