

Features

- 1WATT DIL PACKAGE
- EFFICIENCY TO 85%
- 100% BURNED IN
- No-load Input Current as Low as 5mA
- UL 94V-0 PACKAGE MATERIAL
- CUSTOM SOLUTIONS AVAILABLE
- UNREGULATED OUTPUT TYPES



**1 Watt DC/DC
Converter**

**1 Watt Single O/P
Isolated DC-DC Converter**

Input Specifications

Input Voltage	:24Vdc
Input Voltage Range	:±20%

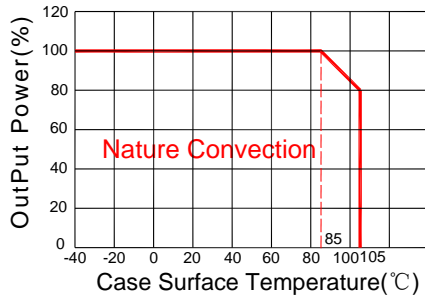
Output Specifications

Output Voltage	:9Vdc	
Output Voltage Accuracy	:±5%	@Vout=8.55-9.45Vdc@Vin=24Vdc
Output Current	:112mA	
Efficiency	:85% TYP	
Ripple / Noise	:30mVp-p TYP, 75mVp-p MAX	@20MHz Bandwidth
Short Circuit Protection	: Continuous	
Line Regulation	:±1.2% TYP	@ For 1.0% OF Vin
Load Regulation	:±8% TYP, ±10% MAX	@10% to 100% full load
Capacitive Load	:1000uF MAX	

General Specifications

Operating Temperature Range	: -40°C ~ +105°C	
Storage Temperature	: -55°C ~ +125°C	
Switching Frequency	: 250KHz TYP	
Humidity	: 95% MAX	
Isolation Voltage	: 1500Vdc	@ Input to Output (60sec/0.5mA)
Isolation Resistance	: 1000MΩ MIN	@ 500Vdc
Cooling	: Free air convection	
MTBF	: >3500000 Hours	MIL-HDBK-217F@25°C, Ground Benign.
Case Material	: DAP	
Weight	: 1.7g TYP	
EMI	CE	CISPR32/EN55032 CLASS B (see Fig. 1 for recommended circuit)
	RE	CISPR32/EN55032 CLASS B (see Fig. 1 for recommended circuit)
EMS	ESD	IEC/EN61000-4-2 Air ±8kV , Contact ±4kV perf. Criteria B

Temperature Derating Graph

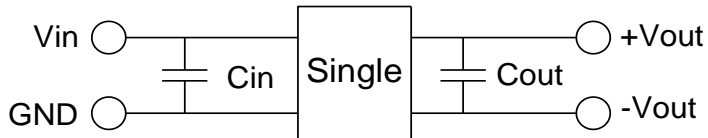


Part Number

13DC - 24 S 09 N 3 P
A B C D E F G

A:Series
 B:Input Voltage
 C:Single Output
 D:Output Voltage
 E:Unregulated(N)
 F:Packge
 G:Protection

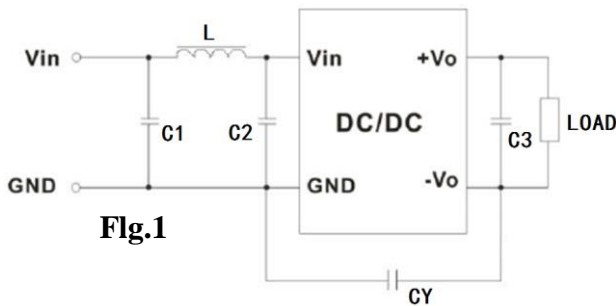
Recommended Test Circuit



Vin	Cin	Single Vout	Cout
24Vdc	1μF/25V	9Vdc	2.2μF/16V

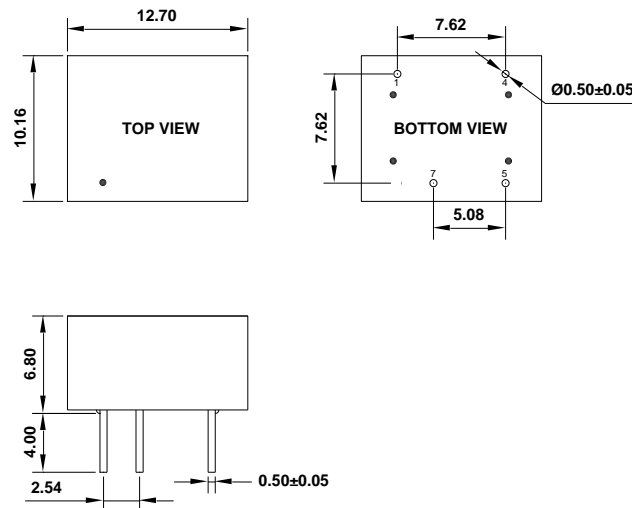
To make sure the product work at perfect operation status with full loading external capacitor is necessary and it is recommended to use high frequency low resistance electrolytic capacitor.

EMC (CLASS B) compliance circuit



EMC recommended circuit value table		
EMI	C1	4.7μF /50V
	C2	4.7μF /50V
	CY	1nF/4kV
	C3	Recommended Test Circuit
	L	6.8μH

Outline Dimensions



UNIT:mm Unless otherwise specified,all tolerances are ±0.25

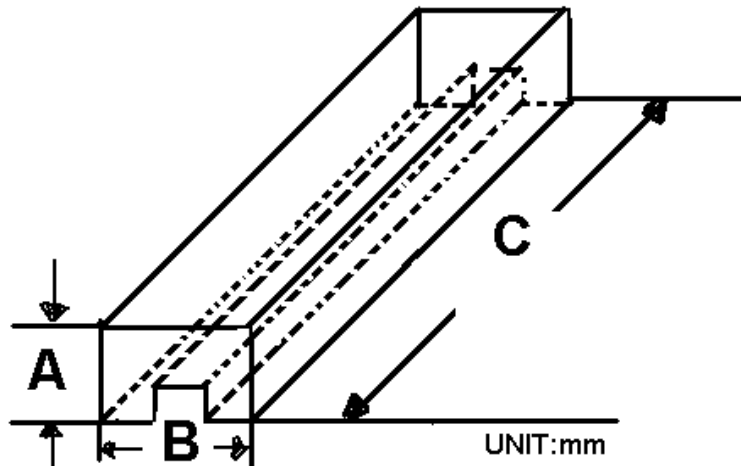
PIN	1	4	5	7
Single	-Vin	+Vin	+Vout	-Vout

Packing Information:

Weight----- 1.7grams/pcs

TUBE-----40pcs

Weight: 87g per tube



Size(mm)		
A	B	C
13.7	13.2	530

Outer carton unit: 3200pcs/80Tube/box

Weight: 7.2kg per carton

