

## Features

- 1WATT SMD PACKAGE
- EFFICIENCY TO 87%
- 100% BURNED IN
- UL 94V-0 PACKAGE MATERIAL
- CUSTOM SOLUTIONS AVAILABLE
- UNREGULATED OUTPUT TYPES



**1 Watt DC/DC Converter**

1 Watt Single O/P  
Isolated DC-DC Converter

## Input Specifications

Input Voltage	:24Vdc
Input Voltage Range	:±20%

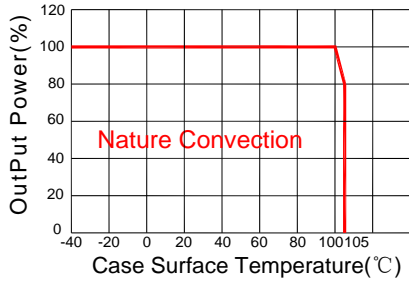
## Output Specifications

Output Voltage	:15Vdc	
Output Voltage Accuracy	:±5%	@Vout=14.25-15.75Vdc@Vin=24Vdc
Output Current	:67mA	
Efficiency	:87% TYP	
Ripple / Noise	: 30mVp-p TYP, 75mVp-p MAX	@20MHz Bandwidth
Short Circuit Protection	:Continuous	
Line Regulation	:±1.2% TYP	@ For 1.0% OF Vin
Load Regulation	:±10% MAX	@10% to 100% full load

## General Specifications

Operating Temperature Range	: -40°C ~ +105°C	
Storage Temperature	: -55°C ~ +125°C	
Switching Frequency	: 250KHz TYP	
Humidity	: 95% MAX	
Isolation Voltage	: 1500Vdc	@ Input to Output ( 60sec/0.5mA )
Isolation Resistance	: 1000MΩ MIN	@ 500Vdc
Cooling	: Free air convection	
MTBF	: >3500000 Hours	MIL-HDBK-217F@25°C, Ground Benign.
Case Material	: DAP	
Weight	: 1.28g TYP	
EMI	CE	CISPR32/EN55032 CLASS B (see Fig. 1 for recommended circuit)
	RE	CISPR32/EN55032 CLASS B (see Fig. 1 for recommended circuit)
EMS	ESD	IEC/EN61000-4-2 Air ±8kV , Contact ±4kV perf. Criteria B

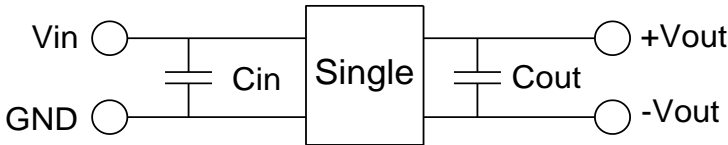
## Temperature Derating Graph



## Part Number

13DSC - 24 S 15 N 3 P  
 A B C D E F G  
 A:Series  
 B:Input Voltage  
 C:Single Output  
 D:Output Voltage  
 E:Unregulated(N)  
 F:Package  
 G:Protection

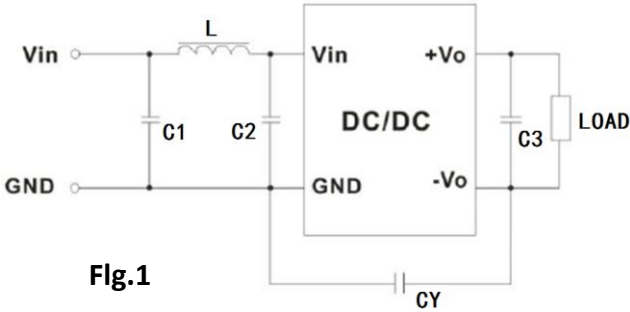
## Recommended Test Circuit



Vin	Cin	SingleVout	Cout
24Vdc	1μF/50V	15Vdc	1μF/25V

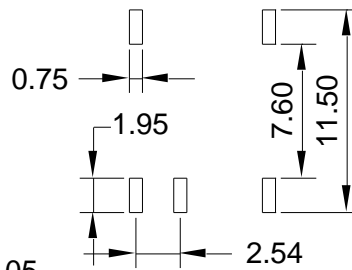
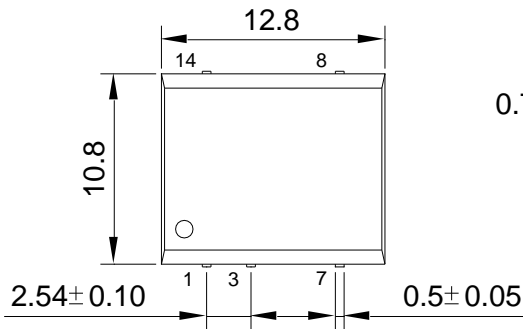
To make sure the product work at perfect operation status with full loading external capacitor is necessary and it is recommended to use high frequency low resistance electrolytic capacitor.

## EMC (CLASS B) compliance circuit

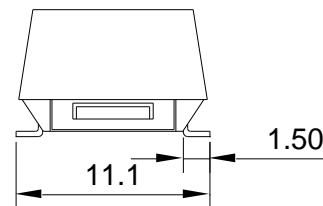
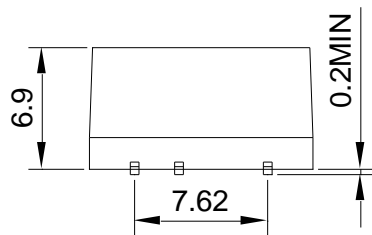


EMC recommended circuit value table		
EMI	C1	4.7μF /50V
	C2	4.7μF /50V
	CY	1nF/4kV
	C3	Recommended Test Circuit
	L	6.8μH

## Outline Dimensions



SUGGESTED PAD LAYOUT



UNIT : mm Unless otherwise specified, all tolerances are ±0.25

PIN	1	3	7	8	14
Single	-Vin	+Vin	-Vout	+Vout	NC

## RoHS compliant type

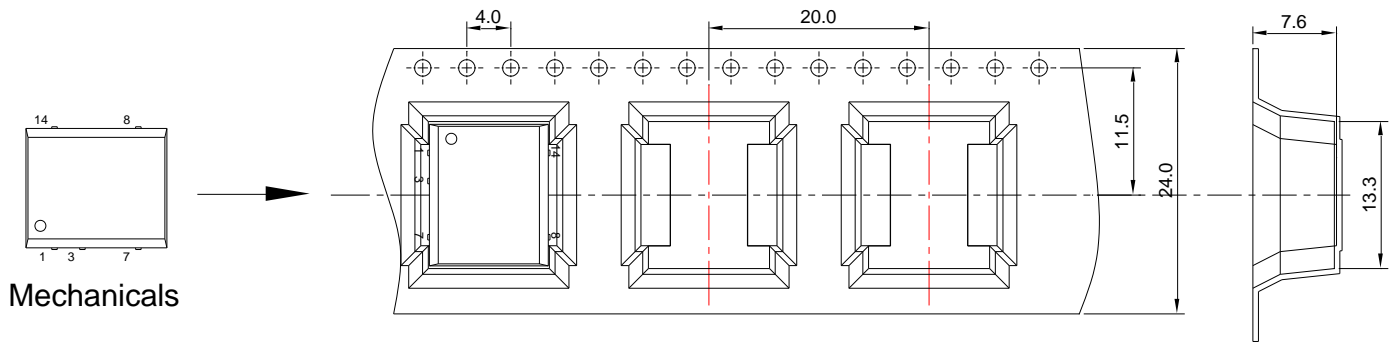
Our RoHS parts just can withstand IR Reflow peak temperature: 240degC +/-5degC as the following profile:

Profile Feature	Pb-Free Assembly
Average Ramp-Up Rate (Ts <sub>max</sub> to Tp)	3°C /second max.
Preheat -Temperature Min (Ts <sub>min</sub> ) -Temperature Max (Ts <sub>max</sub> ) -Time (ts <sub>min</sub> to ts <sub>max</sub> )	150°C 200°C 60-180 seconds
<b>Time maintained above:</b> -Temperature (T <sub>L</sub> ) -Time (t <sub>L</sub> )	217°C 60-150 seconds
Peak/Classification Temperature (Tp)	240±5 °C
Time within 5°C of actual Peak Temperature (tp)	20-40 seconds
Ramp-Down Rate	6°C/seconds max
Time 25°C to Peak Temperature	6 minutes max.

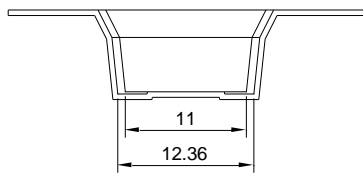


**Packing Information:**

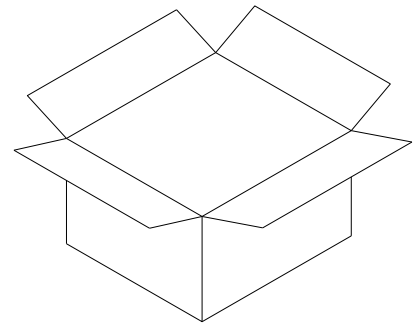
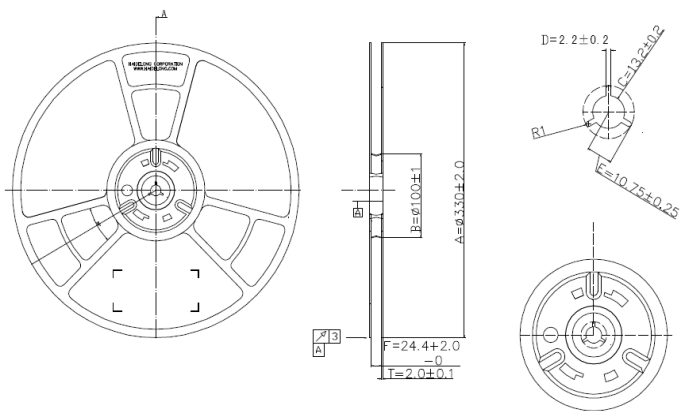
- 1.Weight-----1.28 grams/pcs
- 2.Tape & Reel----- 400 pcs
- 3. outer carton unit: 4000pcs/box
- 4. outer carton unit: 10T&R/box
- 5.Weight: 10.5kg per carton



Mechanicals



Tape & Reel



Outer carton: 365x365x350mm