

Features

- 6 WATT SIP PACKAGE
- 4:1 WIDE INPUT VOLTAGE
- EFFICIENCY TO 81%
- 100% BURNED IN
- INTERNAL SMD CONSTRUCTION
- CUSTOMIZED SOLUTIONS AVAILABLE
- REGULATED OUTPUT TYPE



**6 Watt DC/DC
Converter**

WIDE INPUT VOLTAGE RANGE

6 WATT DC-DC CONVERTER

Input Specifications

Input Voltage	:24Vdc	
Input Voltage Range	:9~36Vdc	
Remote ON/OFF	:Open or 0~1V (DC/DC ON) :2.2~12V(DC/DC OFF)	@Negative logic(Standard) (Refer to -Vin PIN)
	:-0.5 ~ +0.5 mA	@Input current of Remote ON/OFF pin
	:5 mA TYP	@Remote off input current

Output Specifications

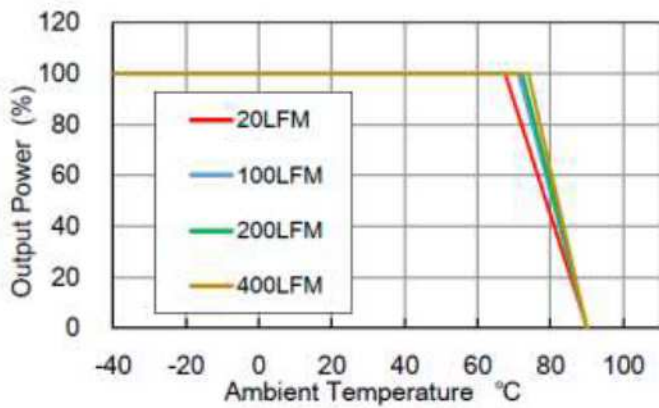
Output Voltage	:3.3Vdc	
Output Voltage Accuracy	:±2%	@3.234~3.366Vdc @Vin=9~36Vdc
Output Current	:1500mA	
Efficiency	:81% TYP	@Vin=24Vdc
Ripple / Noise	:100mVp-p MAX	@20MHz Bandwidth
Short Circuit Protection	:Continuous	@Auto-recovery
Line Regulation	:±0.5% MAX	@Full Load
Load Regulation	:±0.5% MAX	@25% to 100% Load

General Specifications

Operating Temperature Range	:-40°C ~ +78.8°C (with derating)	Output load derate 4.46% per degree Celsius above 67.6°C as refer to temperature derating graph.
Storage Temperature	:-55°C ~ +125°C	
Switching Frequency	:400KHz TYP	
Humidity	:95% MAX	
Isolation Voltage	:1500Vdc	@Input to Output
Isolation Resistance	:1000MΩ MIN	@500Vdc
Cooling	:Natural Convection	@20LFM
MTBF	:1500000 Hours	MIL-HDBK-217F@25°C,Ground Benign.
Case Material	:Plastic	
Weight	:4.5g TYP	

Temperature Derating Graph

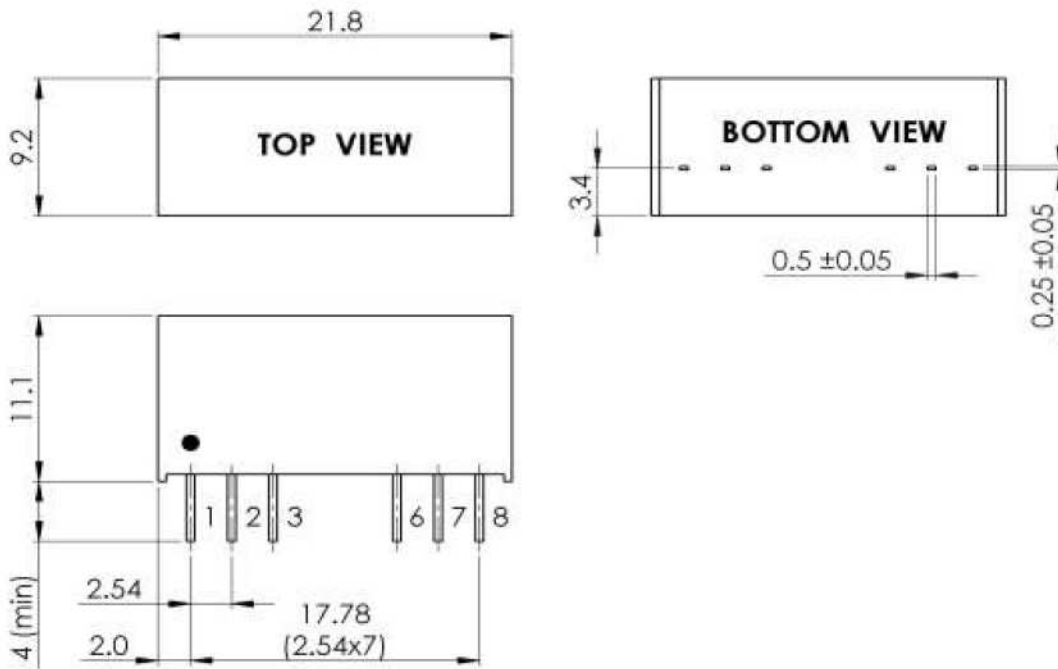
Part Number



27DW- **24** **S** **03** **R** **6W**
A **B** **C** **D** **E** **F**

- A: Series
- B: Input Voltage
- C: Single Output
- D: Output Voltage
- E: Regulated(R)
- F: Output Power

Outline Dimensions

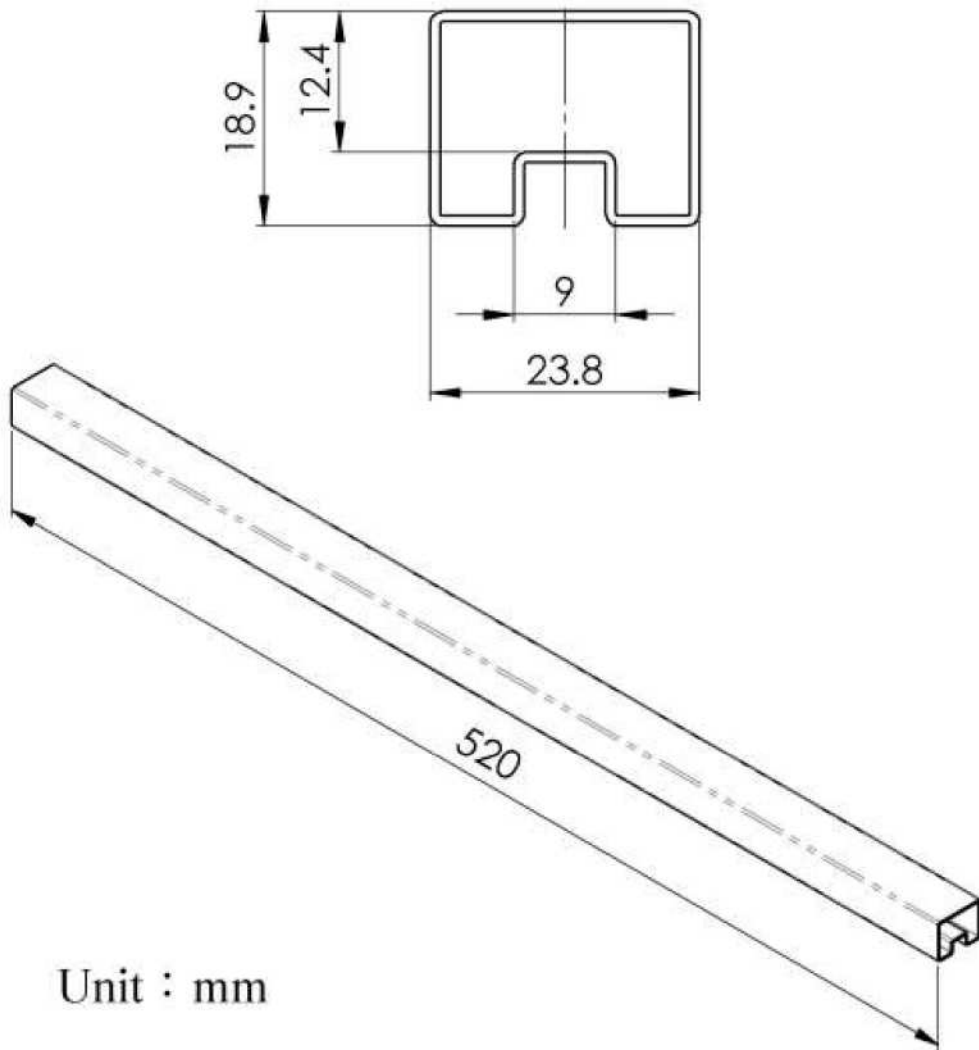


Unit : mm
 Tolerance : XX.X ±0.5 , XX.XX ±0.25

PIN Assignment

PIN	1	2	3	6	7	8
FUNCTION	-Vin	+Vin	Remote ON/OFF	+Vout	-Vout	No con.

Packing Formation



Unit : mm

Weight	: 4.5 grams/pcs
Tube	: 44 pcs