

Features

- 6 WATT SIP PACKAGE
- 4:1 WIDE INPUT VOLTAGE
- EFFICIENCY TO 84%
- 100% BURNED IN
- INTERNAL SMD CONSTRUCTION
- CUSTOMIZED SOLUTIONS AVAILABLE
- REGULATED OUTPUT TYPE



**6 Watt DC/DC
Converter**

WIDE INPUT VOLTAGE RANGE
6 WATT DC-DC CONVERTER

Input Specifications

Input Voltage	:24Vdc	
Input Voltage Range	:9~36Vdc	
Remote ON/OFF	: Floating (DC/DC ON)	@Standard (Refer to -Vin PIN)
	: Short to +Vin (DC/DC OFF)	
	: -0.5 ~ +0.5 mA	@Input current of Remote ON/OFF pin
	:5 mA TYP	@Remote off input current

Output Specifications

Output Voltage	:5Vdc	
Output Voltage Accuracy	: ±2%	@4.9~5.1Vdc @Vin=9~36Vdc
Output Current	:1200mA	
Efficiency	:84% TYP	@Vin=24Vdc
Ripple / Noise	:100mVp-p MAX	@20MHz Bandwidth
Short Circuit Protection	: Continuous	@Auto-recovery
Line Regulation	: ±0.5% MAX	@Full Load
Load Regulation	: ±0.5% MAX	@25% to 100% Load

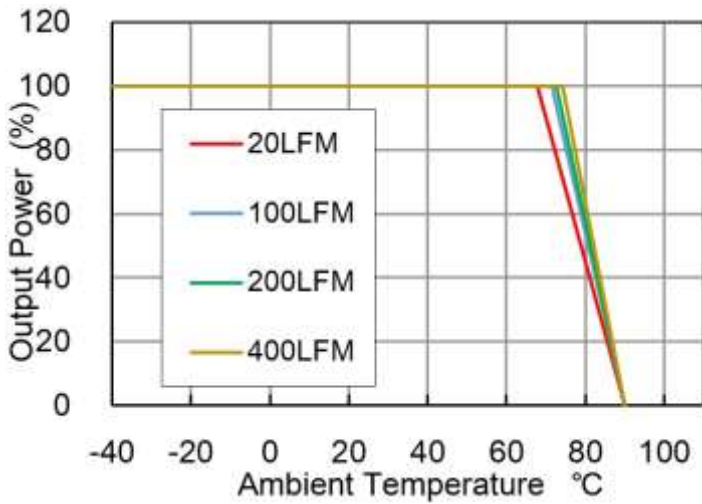
General Specifications

Operating Temperature Range	: -40°C ~ +79°C (with derating)	Output load derate 4.52% per degree Celsius above 67.9°C as refer to temperature derating graph.
Storage Temperature	: -55°C ~ +125°C	
Switching Frequency	:400KHz TYP	
Humidity	:95% MAX	
Isolation Voltage	:1500Vdc	@Input to Output
Isolation Resistance	:1000MΩ MIN	@500Vdc
Cooling	: Natural Convection	@20LFM
MTBF	:1500000 Hours	MIL-HDBK-217F@25°C, Ground Benign.
Case Material	: Plastic	
Weight	:4.5g TYP	

Temperature Derating Graph

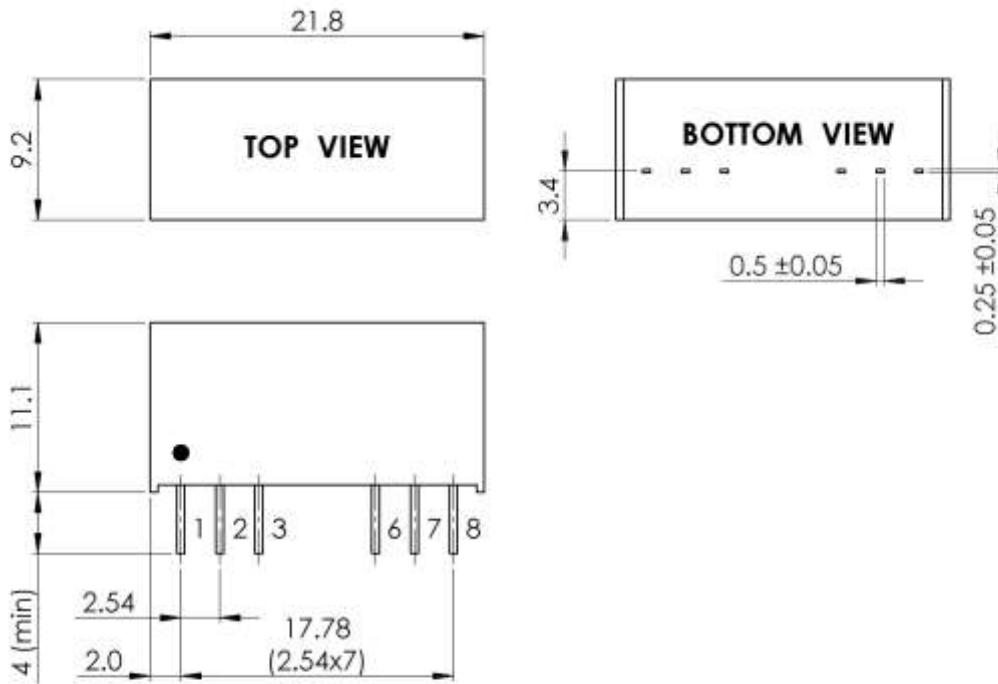
Part Number

27DW- **24** **S** **05** **R** **6W**
A **B** **C** **D** **E** **F**



- A: Series
- B: Input Voltage
- C: Single Output
- D: Output Voltage
- E: Regulated(R)
- F: Output Power

Outline Dimensions

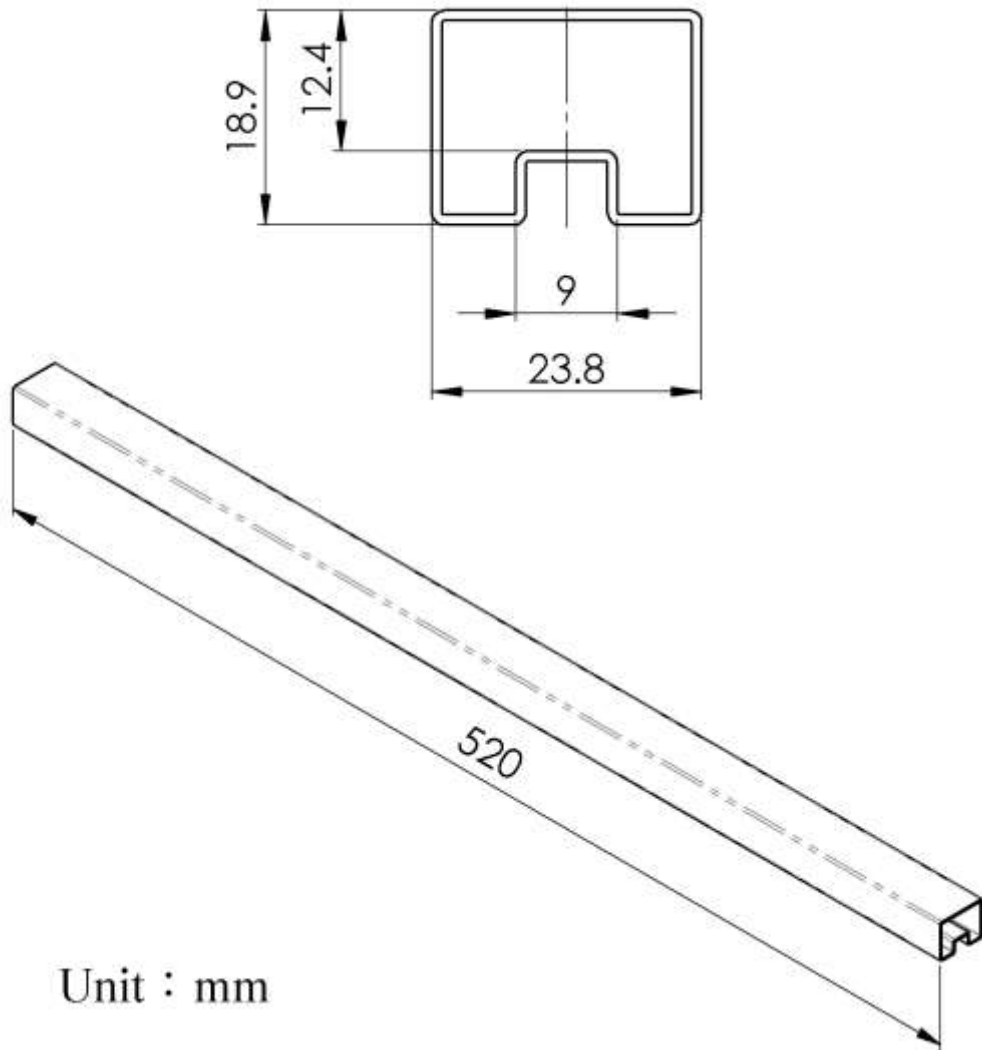


Unit : mm
 Tolerance : XX.X ± 0.5 , XX.XX ± 0.25

PIN Assignment

PIN	1	2	3	6	7	8
FUNCTION	-Vin	+Vin	Remote ON/OFF	+Vout	-Vout	No con.

Packing Formation



Weight	: 4.5 grams/pcs
Tube	: 44 pcs