

Features

- 9 WATT SIP PACKAGE
- 4:1 WIDE INPUT VOLTAGE
- EFFICIENCY TO 86%
- 100% BURNED IN
- INTERNAL SMD CONSTRUCTION
- CUSTOMIZED SOLUTIONS AVAILABLE
- REGULATED OUTPUT TYPE



**9 Watt DC/DC
Converter**

WIDE INPUT VOLTAGE RANGE

9 WATT DC-DC CONVERTERS

Input Specifications

Input Voltage	:24Vdc	
Input Voltage Range	:9~36Vdc	
Remote ON/OFF	: Open or 0~1V (DC/DC ON)	@ Refer to -Vin PIN
	:2.2~12V (DC/DC OFF)	
	: -0.5 ~ +0.5 mA	@ Input current of Remote ON/OFF pin
	:5 mA TYP	@ Remote off input current

Output Specifications

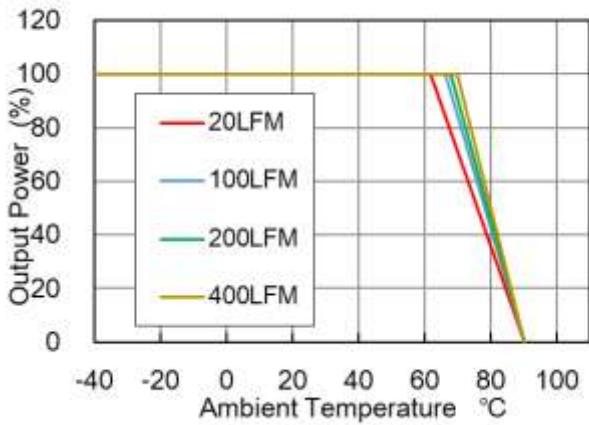
Output Voltage	:12Vdc	
Output Voltage Accuracy	: ±2%	@11.76~12.24Vdc @Vin=9~36Vdc
Output Current	:750mA	
Efficiency	:86% TYP	@Vin=24Vdc
Ripple / Noise	:120mVp-p MAX	@20MHz Bandwidth
Short Circuit Protection	: Continuous	@Auto-recovery
Line Regulation	: ±0.5% MAX	@Full Load
Load Regulation	: ±0.5% MAX	@25% to 100% Load

General Specifications

Operating Temperature Range	: -40°C ~ +75°C (with derating)	
Storage Temperature	: -55°C ~ +125°C	
Switching Frequency	:400KHz TYP	
Humidity	:95% MAX	
Isolation Voltage	:1600Vdc	@ Input to Output
Isolation Resistance	:1000MΩ MIN	@500Vdc
Cooling	:Natural Convection	@20LFM
MTBF	:2696000 Hours	MIL-HDBK-217F@25°C, Ground Benign.
Case Material	: Plastic	
Weight	:4.5g TYP	

Temperature Derating Graph

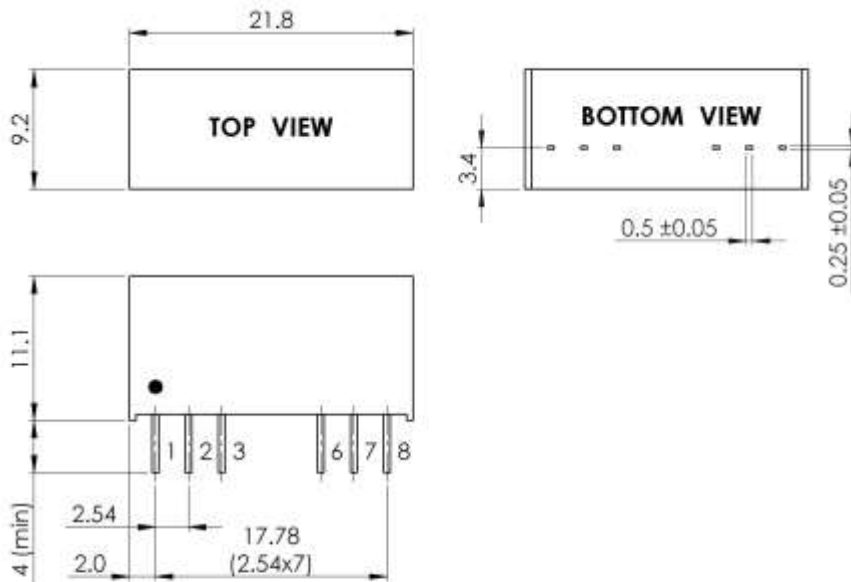
Part Number



27DW- **24** **S** **12** **R** **9W**
A **B** **C** **D** **E** **F**

- A: Series
- B: Input Voltage
- C: Single Output
- D: Output Voltage
- E: Regulated(R)
- F: Output Power

Outline Dimensions

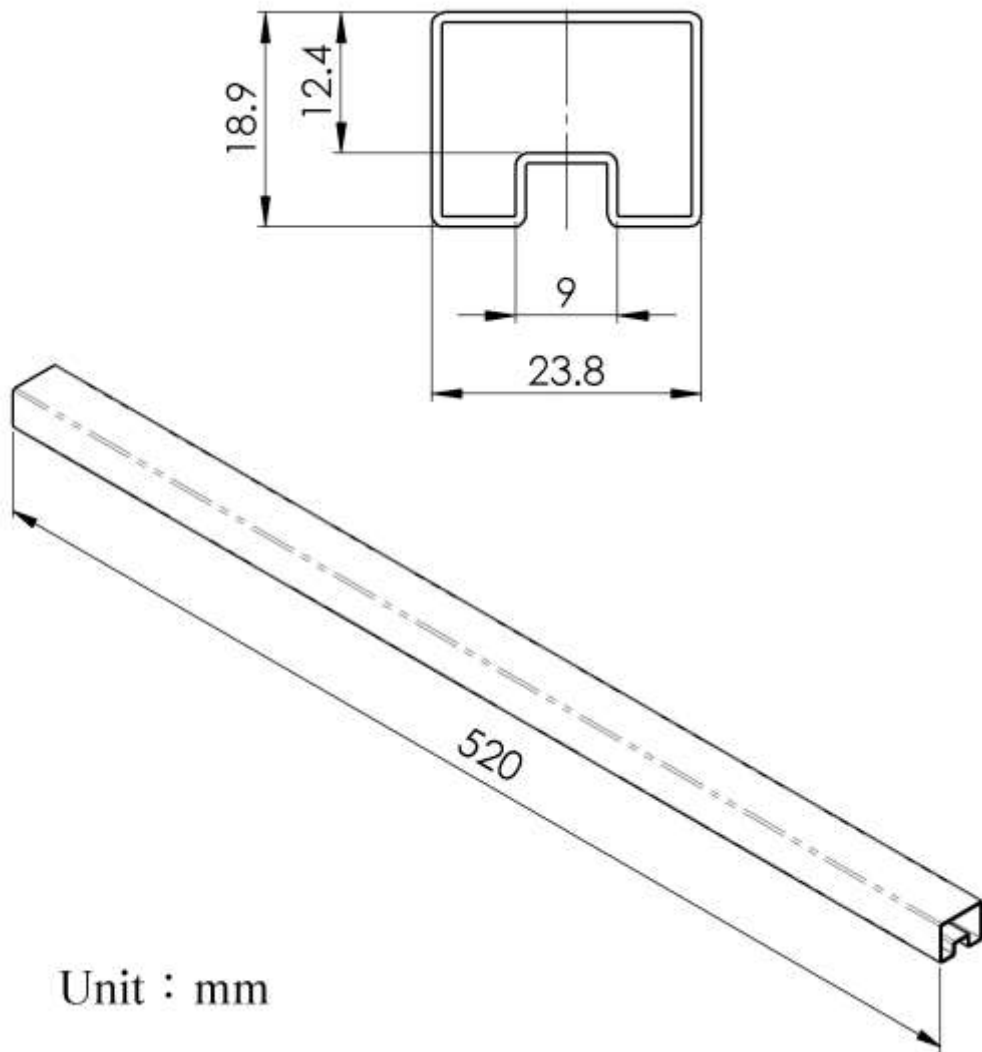


Unit : mm
 Tolerance : XX.X ± 0.5 , XX.XX ± 0.25

PIN Assignment

PIN	1	2	3	6	7	8
FUNCTION	-Vin	+Vin	Remote ON/OFF	+Vout	-Vout	No con.

Packing Formation



Weight	: 4.5 grams/pcs
Tube	: 44 pcs