

**Features**

- 9 WATT SIP PACKAGE
- 4:1 WIDE INPUT VOLTAGE
- EFFICIENCY TO 88%
- 100% BURNED IN
- INTERNAL SMD CONSTRUCTION
- CUSTOMIZED SOLUTIONS AVAILABLE
- REGULATED OUTPUT TYPE



**9 Watt DC/DC  
Converter**

WIDE INPUT VOLTAGE RANGE  
9 WATT DC-DC CONVERTER

**Input Specifications**

Input Voltage	:24Vdc	
Input Voltage Range	:9~36Vdc	
Remote ON/OFF	:Open or 0~1V (DC/DC ON) :2.2~12V(DC/DC OFF)	@ Refer to -Vin PIN
	:-0.5 ~ +0.5 mA	@Input current of Remote ON/OFF pin
	:5 mA TYP	@Remote off input current

**Output Specifications**

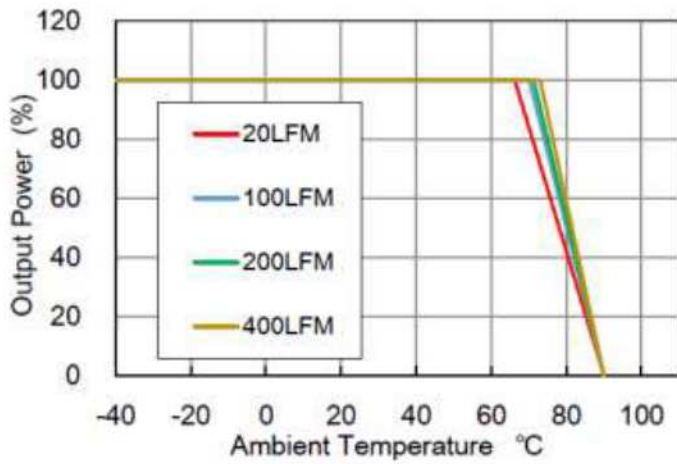
Output Voltage	:15Vdc	
Output Voltage Accuracy	:±2%	@14.7~15.3Vdc @Vin=9~36Vdc
Output Current	:600mA	
Efficiency	:88% TYP	@Vin=24Vdc
Ripple / Noise	:150mVp-p MAX	@20MHz Bandwidth
Short Circuit Protection	:Continuous	@Auto-recovery
Line Regulation	:±0.5% MAX	@Full Load
Load Regulation	:±0.5% MAX	@25% to 100% Load

**General Specifications**

Operating Temperature Range	:-40°C ~ +75°C (with derating)	
Storage Temperature	:-55°C ~ +125°C	
Switching Frequency	:400KHz TYP	
Humidity	:95% MAX	
Isolation Voltage	:1600Vdc	@Input to Output
Isolation Resistance	:1000MΩ MIN	@500Vdc
Cooling	:Natural Convection	@20LFM
MTBF	:2696000 Hours	MIL-HDBK-217F@25°C,Ground Benign.
Case Material	:Plastic	
Weight	:4.8g TYP	

Temperature Derating Graph

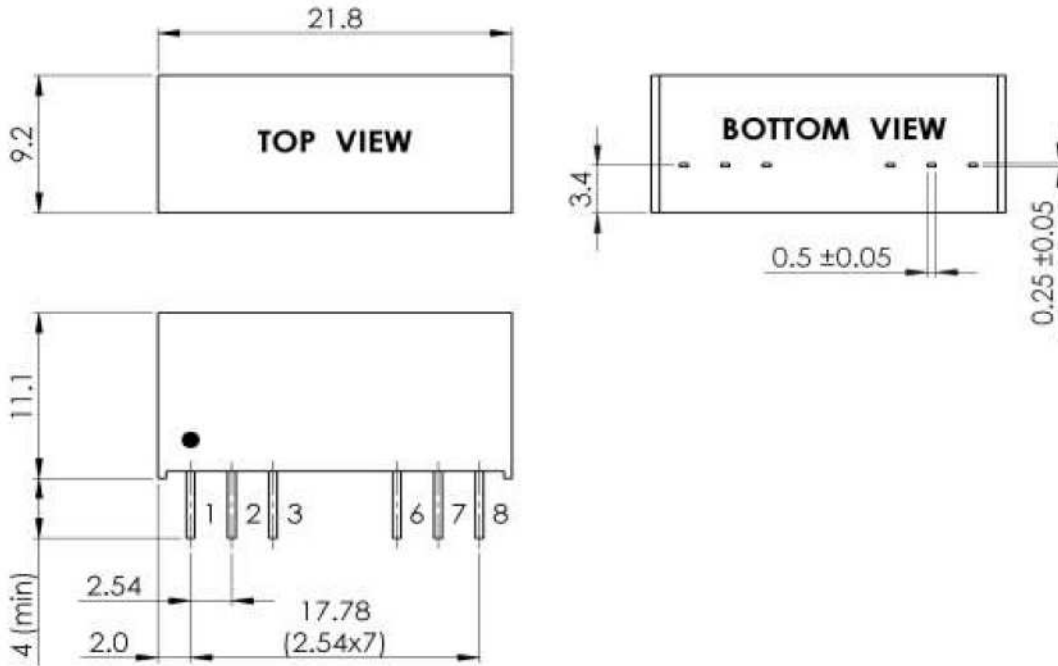
Part Number



**27DW-** **24** **S** **15** **R** **9W**  
**A** **B** **C** **D** **E** **F**

- A: Series
- B: Input Voltage
- C: Single Output
- D: Output Voltage
- E: Regulated(R)
- F: Output Power

Outline Dimensions

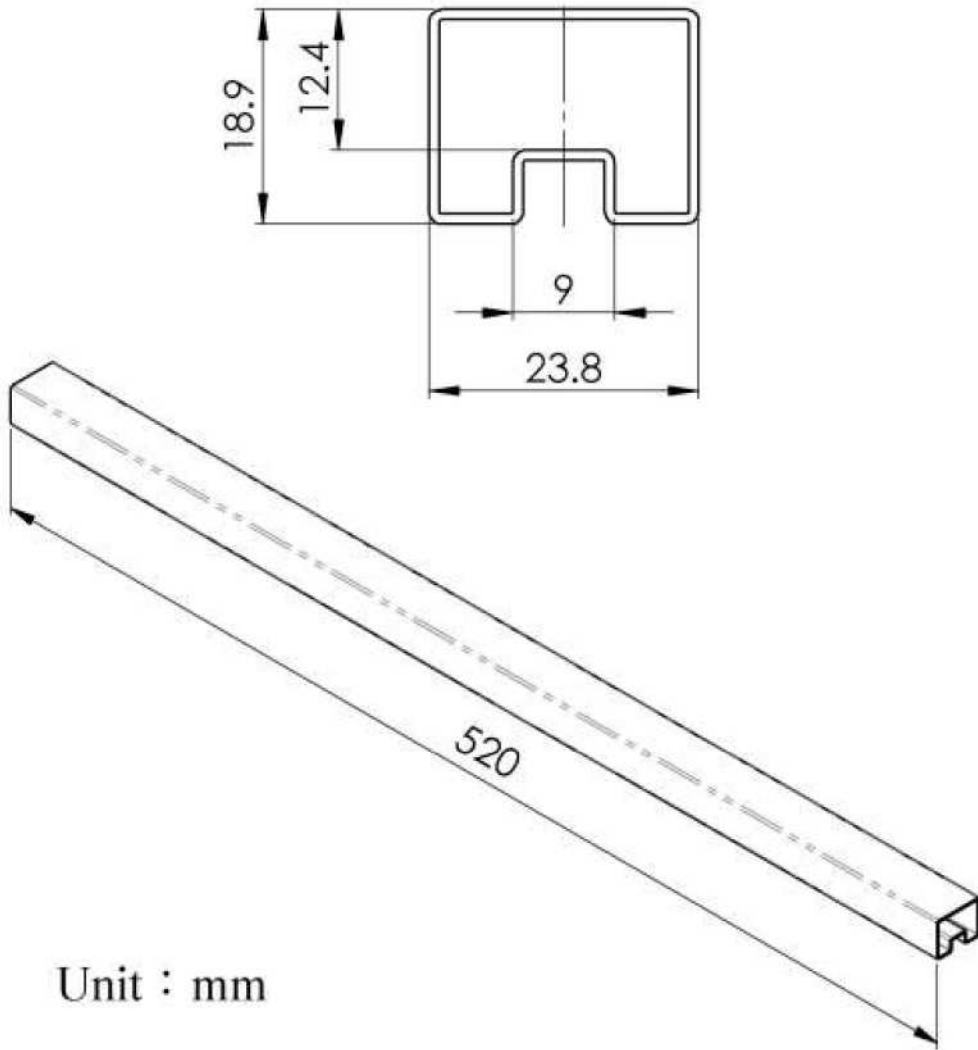


Unit : mm  
 Tolerance : XX.X ± 0.5 , XX.XX ± 0.25

PIN Assignment

PIN	1	2	3	6	7	8
FUNCTION	-Vin	+Vin	Remote ON/OFF	+Vout	-Vout	No con.

## Packing Formation



Unit : mm

<b>Weight</b>	<b>: 4.5 grams/pcs</b>
<b>Tube</b>	<b>: 44 pcs</b>