

Features

- 9 WATT SIP PACKAGE
- 4:1 WIDE INPUT VOLTAGE
- EFFICIENCY TO 86%
- 100% BURNED IN
- INTERNAL SMD CONSTRUCTION
- CUSTOMIZED SOLUTIONS AVAILABLE
- REGULATED OUTPUT TYPE



**9 Watt DC/DC
Converter**

WIDE INPUT VOLTAGE RANGE
9 WATT DC-DC CONVERTERS

Input Specifications

| | | |
|---------------------|---------------------------|-------------------------------------|
| Input Voltage | :48Vdc | |
| Input Voltage Range | :18~75Vdc | |
| Remote ON/OFF | : Open or 0~1V (DC/DC ON) | @ Refer to -Vin PIN |
| | :2.2~12V (DC/DC OFF) | |
| | : -0.5 ~ +0.5 mA | @Input current of Remote ON/OFF pin |
| | :5 mA TYP | @Remote off input current |

Output Specifications

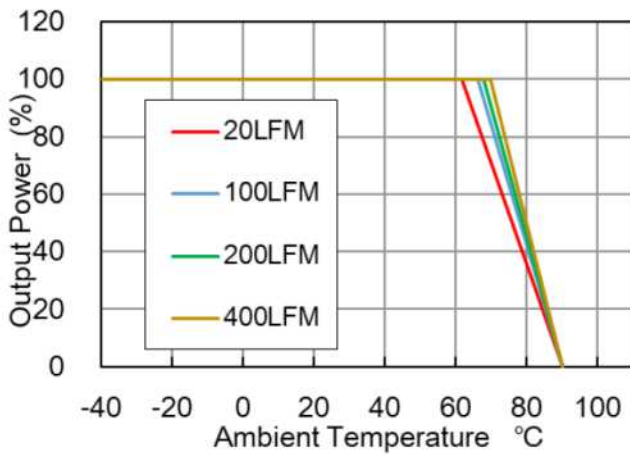
| | | |
|--------------------------|---------------|-------------------------------|
| Output Voltage | :12Vdc | |
| Output Voltage Accuracy | : ±2% | @11.76~12.24Vdc @Vin=18~75Vdc |
| Output Current | :750mA | |
| Efficiency | :86% TYP | @Vin=48Vdc |
| Ripple / Noise | :120mVp-p MAX | @20MHz Bandwidth |
| Short Circuit Protection | : Continuous | @Auto-recovery |
| Line Regulation | : ±0.5% MAX | @Full Load |
| Load Regulation | : ±0.5% MAX | @25% to 100% Load |

General Specifications

| | | |
|-----------------------------|---------------------------------|------------------------------------|
| Operating Temperature Range | : -40°C ~ +75°C (with derating) | |
| Storage Temperature | : -55°C ~ +125°C | |
| Switching Frequency | :400KHz TYP | |
| Humidity | :95% MAX | |
| Isolation Voltage | :1600Vdc | @Input to Output |
| Isolation Resistance | :1000MΩ MIN | @500Vdc |
| Cooling | :Natural Convection | @20LFM |
| MTBF | :2696000 Hours | MIL-HDBK-217F@25°C, Ground Benign. |
| Case Material | : Plastic | |
| Weight | :4.8g TYP | |

Temperature Derating Graph

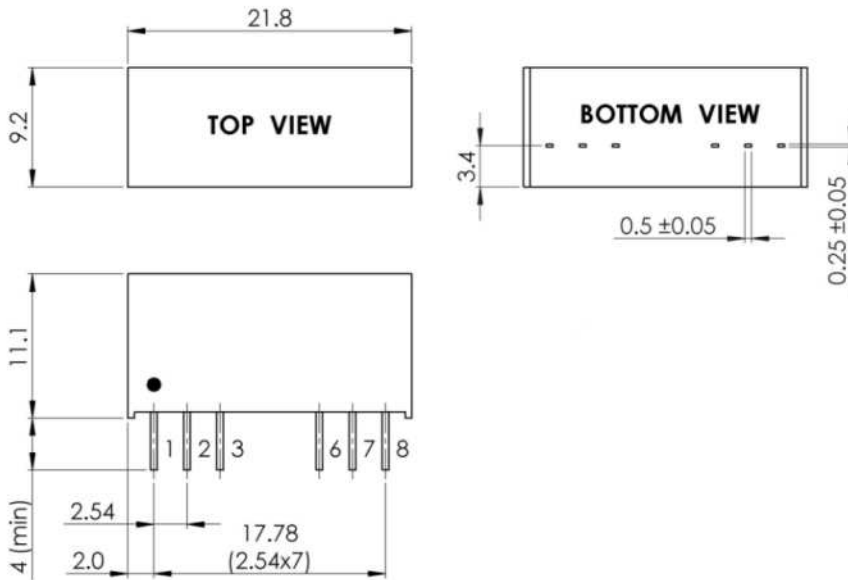
Part Number



27DW- **48** **S** **12** **R** **9W**
A **B** **C** **D** **E** **F**

- A: Series**
- B: Input Voltage**
- C: Single Output**
- D: Output Voltage**
- E: Regulated(R)**
- F: Output Power**

Outline Dimensions

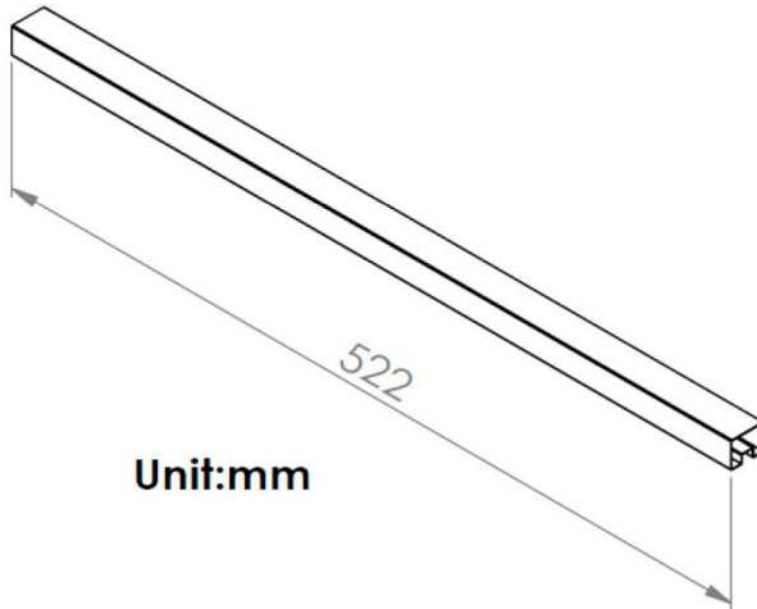
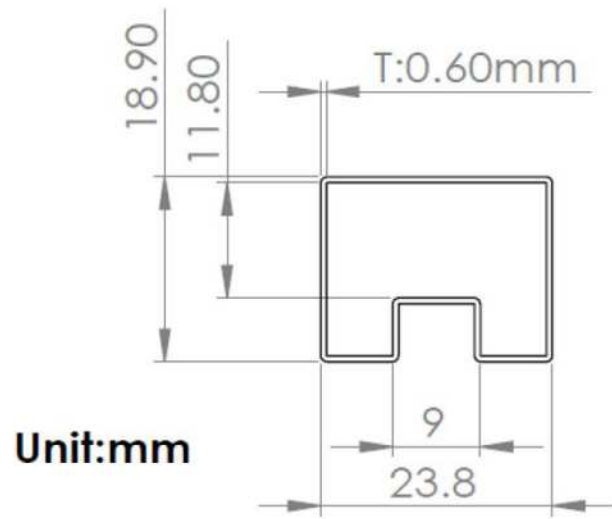


Unit : mm
 Tolerance : XX.X ± 0.5 , XX.XX ± 0.25

PIN Assignment

| PIN | 1 | 2 | 3 | 6 | 7 | 8 |
|----------|------|------|---------------|-------|-------|---------|
| FUNCTION | -Vin | +Vin | Remote ON/OFF | +Vout | -Vout | No con. |

Packing Formation



| | |
|---------------|------------------------|
| Weight | : 4.8 grams/pcs |
| Tube | : 44 pcs |