

Features

- 3WATT SMD PACKAGE
- 2:1 WIDE INPUT VOLTAGES
- EFFICIENCY TO 86%
- 100% BURNED IN
- UL 94V-0 PACKAGE MATERIAL
- CUSTOM SOLUTIONS AVAILABLE
- REGULATED OUTPUT TYPES



**3 Watt DC/DC
Converter**

WIDE INPUT VOLTAGE RANGE
3 WATT DC-DC CONVERTER

Input Specifications

Input Voltage	:24Vdc
Input Voltage Range	:18-36Vdc

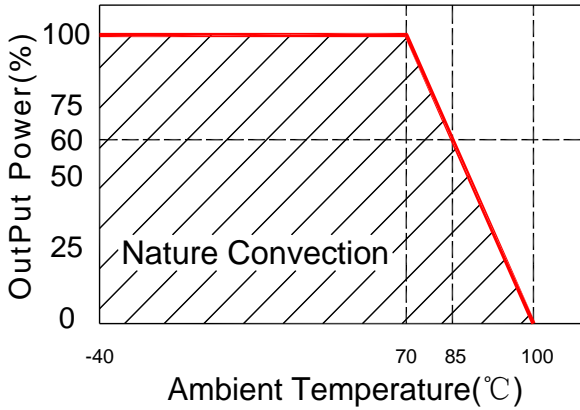
Output Specifications

Output Voltage	:12Vdc	
Output Voltage Accuracy	:±2%	@Vout=11.76-12.24Vdc@Vin=18-36Vdc
Output Current	:250mA	
Efficiency	:86% TYP	
Ripple / Noise	:100mVp-p MAX	@20MHz Bandwidth
Short Circuit Protection	:Continuous	
Line Regulation	:±0.5% MAX	@ LL to HL at Full Load
Load Regulation	:±0.8% MAX	@ 0% to 100%FL

General Specifications

Operating Temperature Range	:-40°C ~ +85°C	
Storage Temperature	:-55°C ~ +125°C	
Switching Frequency	:200KHz TYP	
Humidity	:95% MAX	
Isolation Voltage	:1500Vdc	@ Input to Output (60sec/0.5mA)
Isolation Resistance	:1000MΩ MIN	@ 500Vdc
Cooling	:Free air convection	
MTBF	:>1000000 Hours	MIL-HDBK-217F@25°C,Ground Benign.
Case Material	:DAP	
Weight	:3.9g TYP	

Temperature Derating Graph

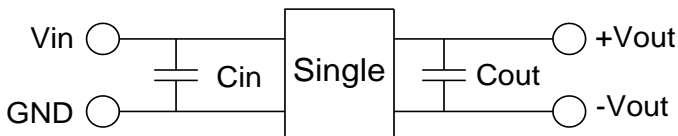


Part Number

28D - 24 S 12 R 3W
 A B C D E F

A:Series
 B:Input Voltage
 C:Single Output
 D:Output Voltage
 E:Regulated(R)
 F:Output Power

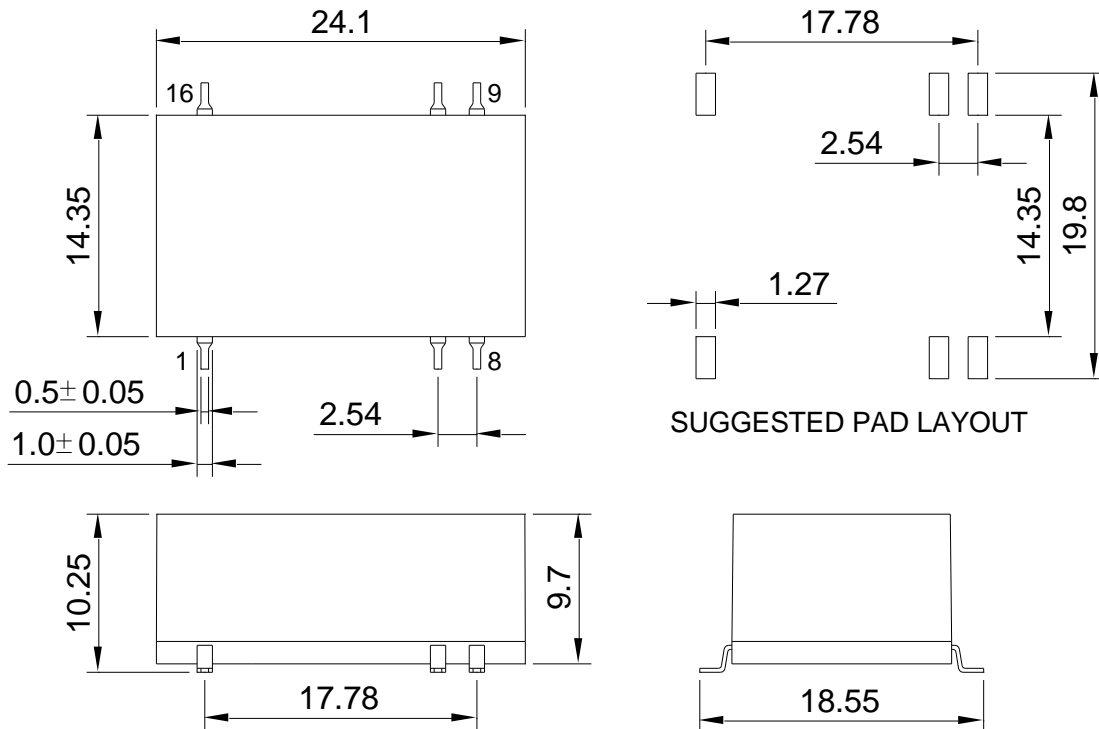
Recommended Test Circuit



Vin	Cin	SingleVout	Cout
24Vdc	10μF/100V	12Vdc	100μF/50V

To make sure the product work at perfect operation status with full loading external capacitor is necessary and it is recommended to use high frequency low resistance electrolytic capacitor.

Outline Dimensions



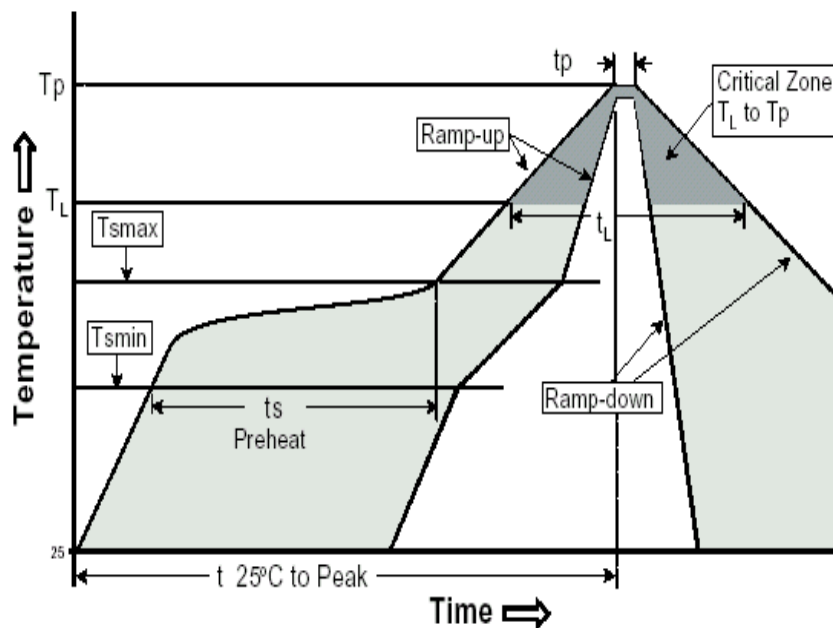
UNIT:mm Unless otherwise specified,all tolerances are ±0.25

PIN	1	7	8	9	10	16
Single	-Vin	NC	NC	+Vout	-Vout	+Vin

RoHS compliant type

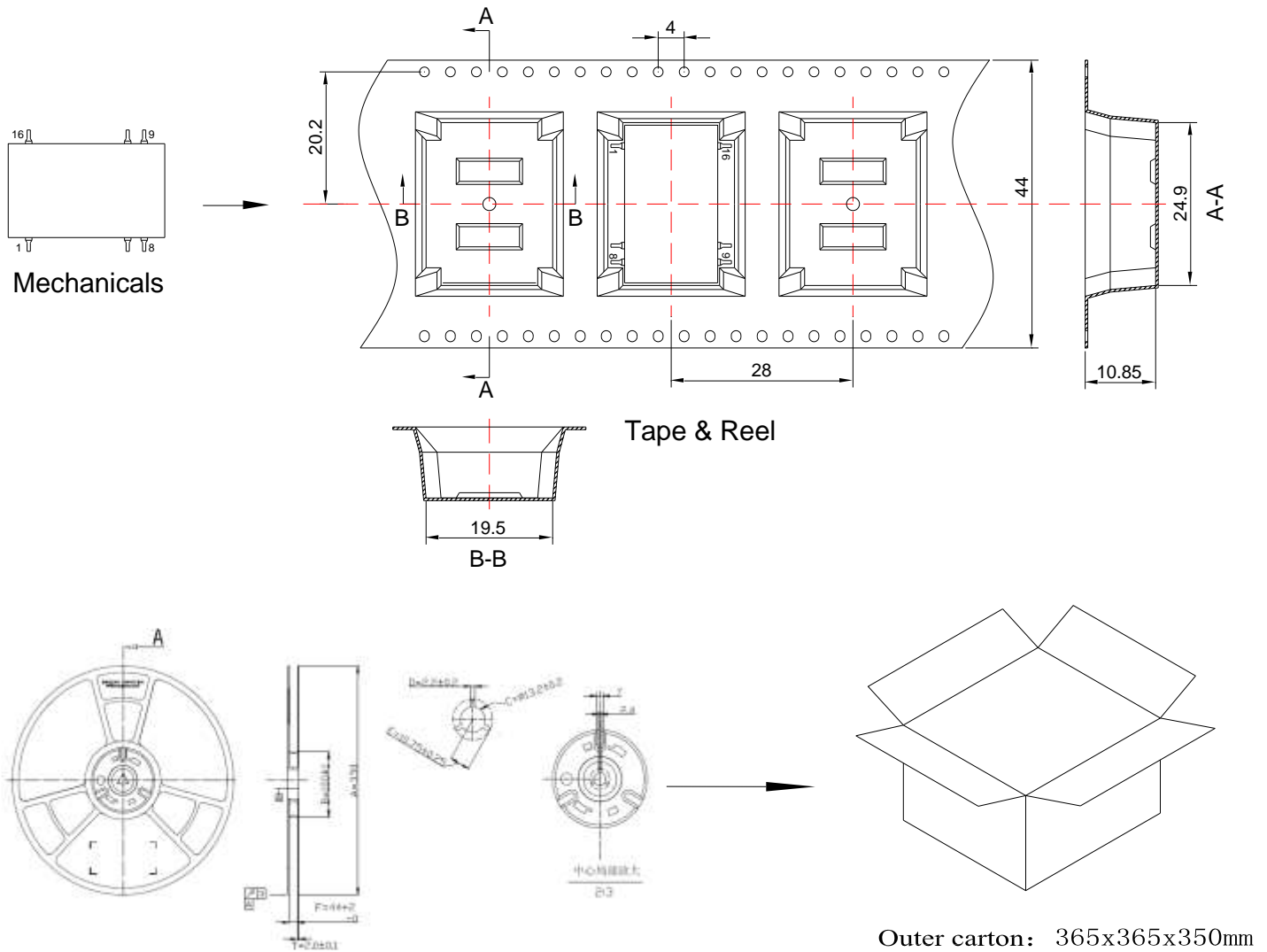
Our RoHS parts just can withstand IR Reflow peak temperature: 240degC +/-5degC as the following profile:

Profile Feature	Pb-Free Assembly
Average Ramp-Up Rate ($T_{s\ max}$ to T_p)	3 ⁰ C /second max.
Preheat -Temperature Min ($T_{s\ min}$) -Temperature Max ($T_{s\ max}$) -Time ($t_{s\ min}$ to $t_{s\ max}$)	150 ⁰ C 200 ⁰ C 60-180 seconds
Time maintained above: -Temperature (T_L) -Time (t_L)	217 ⁰ C 60-150 seconds
Peak/Classification Temperature (T_p)	240±5 ⁰ C
Time within 5 ⁰ C of actual Peak Temperature (t_p)	20-40 seconds
Ramp-Down Rate	6 ⁰ C/seconds max
Time 25 ⁰ C to Peak Temperature	6 minutes max.



Packing Information:

- 1. Weight-----3.9 grams/pcs
- 2. Tape & Reel----- 200pcs
- 3. outer carton unit: 1200pcs/box
- 4. outer carton unit: 6T&R/box
- 5. Weight: 7.8kg per carton



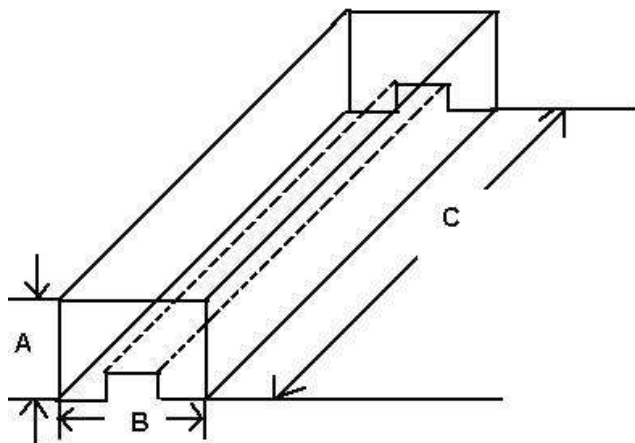
Outer carton: 365x365x350mm

Packing Information:

Weight----- 3.9 grams/pcs

TUBE----- 20pcs

Weight: 112.3g per tube



UNIT:mm

Size(mm)		
A	B	C
18.0	20.0	520

Outer carton unit: 1440pcs/72Tube/box

Weight: 8.2kg per carton

