

**Features**

- 10 WATT DIL PACKAGE
- 4:1 WIDE INPUT VOLTAGE
- EFFICIENCY TO 83%
- PI INPUT FILTER
- 100% BURNED IN
- UL 94V-0 PACKAGE MATERIAL
- CUSTOMIZED SOLUTIONS AVAILABLE
- REGULATED OUTPUT TYPE

**10 Watt DC/DC Converter**

WIDE INPUT VOLTAGE RANGE

10 WATT DC-DC CONVERTER

**Input Specifications**

Input Voltage	:24Vdc	
Input Voltage Range	:9~36Vdc	
Under voltage shut down (lock-out circuit)	:8.0 Vdc Typ	
Remote ON/OFF	:Open or 0~1.2Vdc(DC/DC ON)	@Negative logic (Standard)
	:Short or 2.2~12Vdc(DC/DC OFF)	(Refer to -Vin PIN)
	:-0.5 ~ +0.5 mA	@Input current of Remote ON/OFF pin
	:3 mA TYP	@Remote off input current

**Output Specifications**

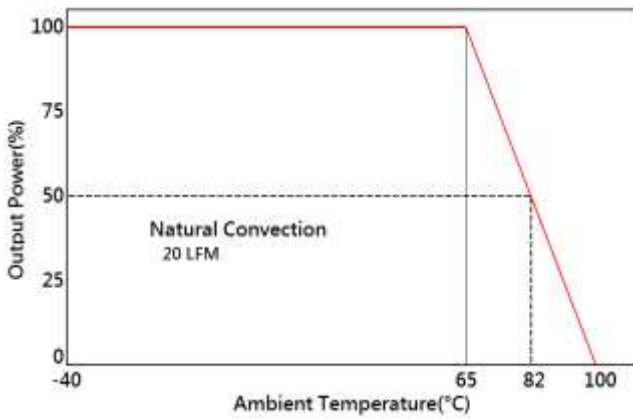
Output Voltage	:12Vdc	
Output Voltage Accuracy	:±2%	@11.76~12.24Vdc @Vin=9~36Vdc
Output Current	:833mA	
Efficiency	:83% TYP	@Vin=24Vdc
Ripple / Noise	:100mVp-p MAX	@20MHz Bandwidth
Short Circuit Protection	:Continuous	@Hiccup, auto-recovery
Line Regulation	:±0.5% MAX	@Full Load
Load Regulation	:±0.5% MAX	@25% TO 100% load

**General Specifications**

Operating Temperature Range	:-40°C ~ +82°C (with derating)	Output load derate 2.86% per degree Celsius above 65°C as refer to temperature derating graph.
Storage Temperature	:-55°C ~ +125°C	
Switching Frequency	:300KHz TYP	
Humidity	:95% MAX	
Isolation Voltage	:3000Vac	
Isolation Resistance	:1000M Ω MIN	
Cooling	:Natural Convection	@20LFM
MTBF	:>=700000 Hours	MIL-HDBK-217F @25°C, Ground Benign.
Case Material	:Plastic case	
Weight	:13.5 g TYP	
Conducted Emission	:EN55011 CLASS A	
Radiated Emission	:EN55011 CLASS A	

Temperature Derating Graph

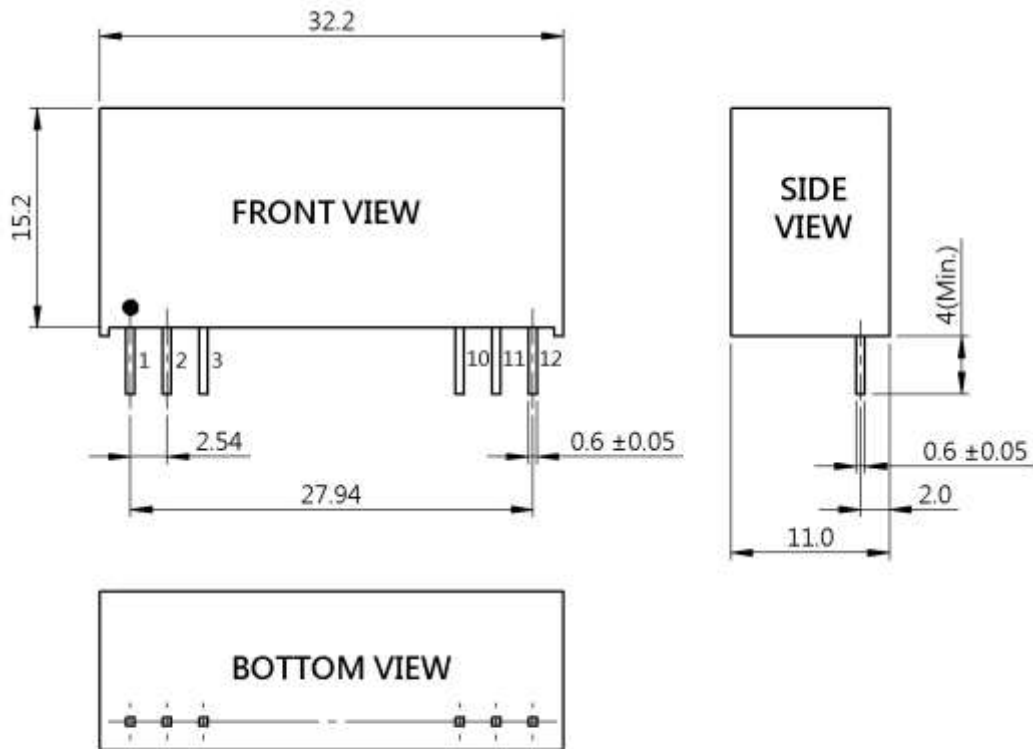
Part Number



**30DW-** **24** **S** **12** **R** **10W** **M**  
**A** **B** **C** **D** **E** **F** **G**

- A: Series**
- B: Input Voltage**
- C: Single Output**
- D: Output Voltage**
- E: Regulated(R)**
- F: Power**
- G: Medical Application**

Outline Dimensions

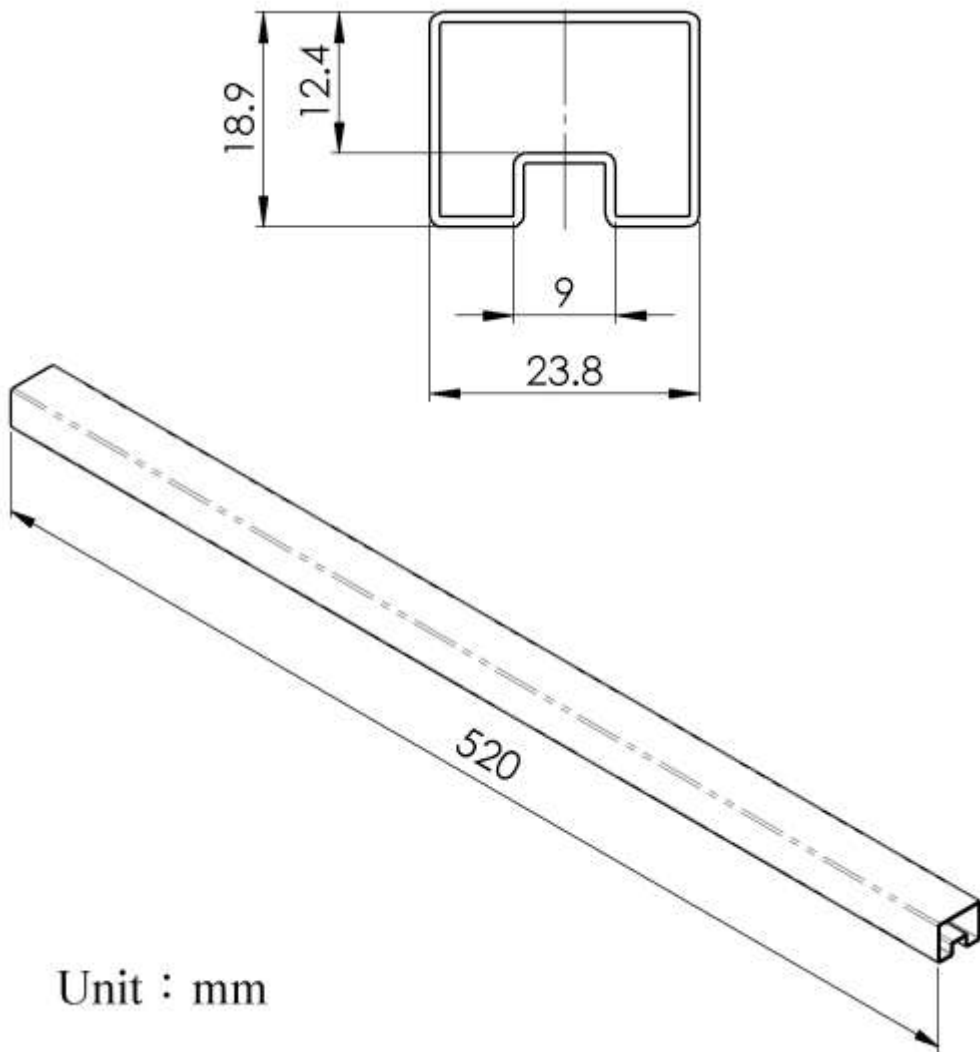


Unit : mm  
 Tolerance : XX.X ± 0.5 , XX.XX ± 0.25

PIN Assignment

PIN	1	2	3	10	11	12
FUNCTION	-Vin	+Vin	Remote ON/OFF	+Vout	-Vout	No con.

**Packing Formation**



Unit : mm

<b>Weight</b>	<b>: 13.5 grams/pcs</b>
<b>TUBE</b>	<b>: 15 pcs</b>