

Features

- 12 WATT DIL PACKAGE
- 2:1 WIDE INPUT VOLTAGE
- EFFICIENCY TO 87%
- PI INPUT FILTER
- 100% BURNED IN
- UL 94V-0 PACKAGE MATERIAL
- CUSTOMIZED SOLUTIONS AVAILABLE
- REGULATED OUTPUT TYPE


**12 Watt DC/DC
Converter**

WIDE INPUT VOLTAGE RANGE
12 WATT DC-DC CONVERTER

Input Specifications

Input Voltage	:24Vdc	
Input Voltage Range	:18~36Vdc	
Under voltage shut down (lock-out circuit)	:16 Vdc Typ	
Remote ON/OFF	:Open or 3~12Vdc(DC/DC ON)	@Positive logic (Standard)
	:Short or 0~1.2Vdc(DC/DC OFF)	(Refer to -Vin PIN)
	:-0.5 ~ +0.5 mA	@Input current of Remote ON/OFF pin
	:3 mA TYP	@Remote off input current

Output Specifications

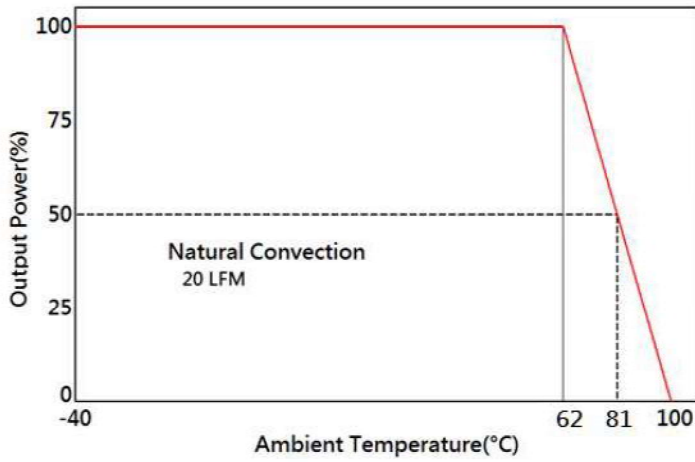
Output Voltage	:12Vdc	
Output Voltage Accuracy	:±2%	@11.76~12.24Vdc @Vin=18~36V
Output Current	:1000mA	
Efficiency	:87% TYP	@Vin=24Vdc
Ripple / Noise	:100mVp-p MAX	@20MHz Bandwidth
Short Circuit Protection	:Continuous	@Hiccup, auto-recovery
Line Regulation	:±0.5% MAX	@Full Load
Load Regulation	:±0.5% MAX	@25% TO 100% load

General Specifications

Operating Temperature Range	: -40°C ~ +81°C (with derating)	Output load derate 2.632% per degree Celsius above 62°C as refer to temperature derating graph.
Storage Temperature	: -55°C ~ +125°C	
Switching Frequency	: 400KHz TYP	
Humidity	: 95% MAX	
Isolation Voltage	: 1500Vdc	
Isolation Resistance	: 1000M Ω MIN	
Cooling	: Natural Convection	@20LFM
MTBF	: ≥900000 Hours	MIL-HDBK-217F@25°C, Ground Benign.
Case Material	: Copper	
Weight	: 17.5g TYP	

Temperature Derating Graph

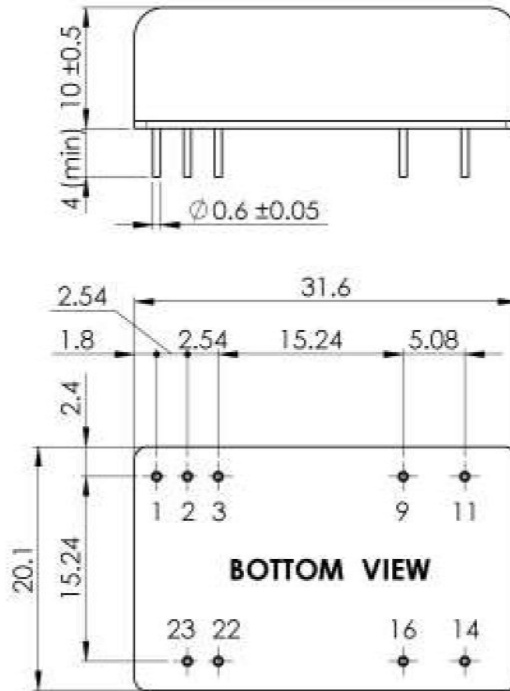
Part Number



68D12- 24 S 12 R NL
A B C D E F

- A:Series**
- B:Input Voltage**
- C:Single Output**
- D:Output Voltage**
- E:Regulated(R)**
- F:RoHs Version**

Outline Dimensions

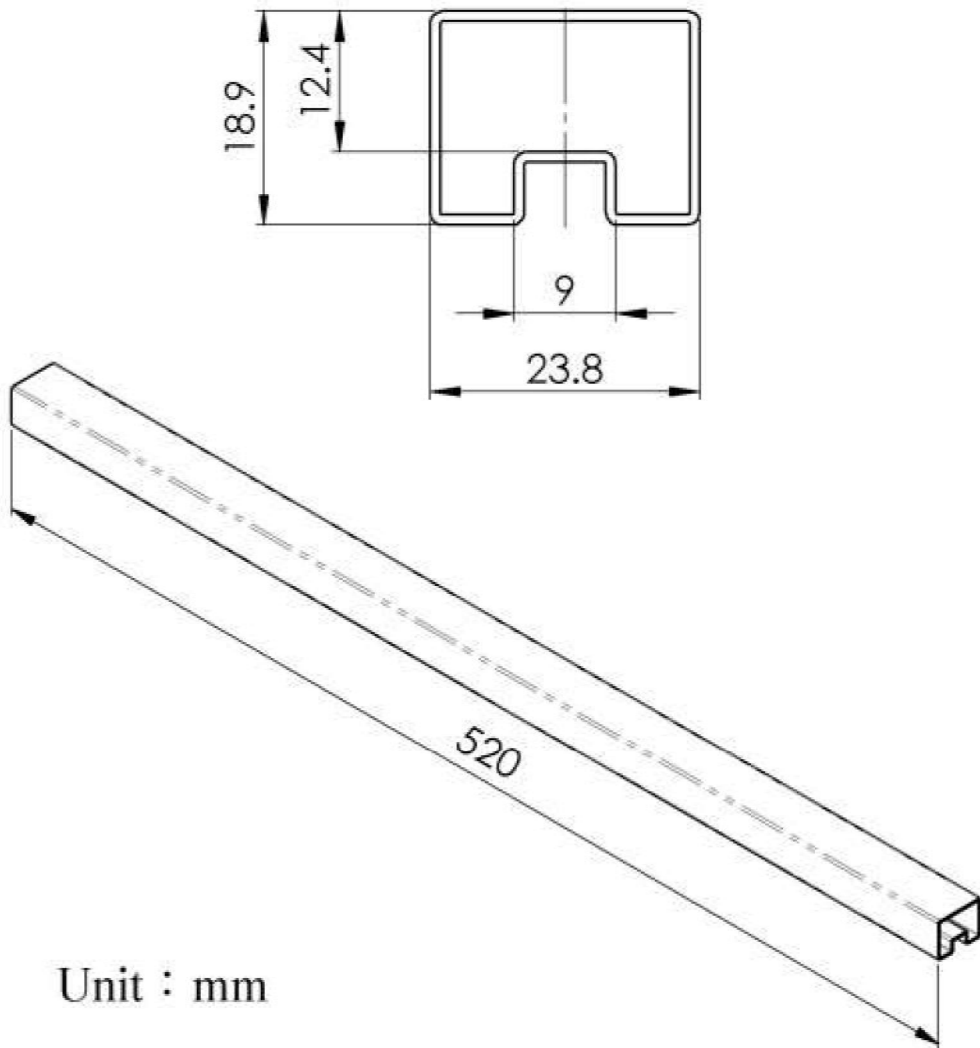


Unit : mm
 Tolerance : XX.X ± 0.5 , XX.XX ± 0.25

PIN Assignment

PIN	1	2&3	9	11	14	16	22&23
FUNCTION	Remote On/Off	-Vin	No con.	No con.	+Vout	-Vout	+Vin

Packing Formation



Unit : mm

Weight	: 17.5 grams/pcs
TUBE	: 15 pcs