

**Features**

- 15 WATT DIL PACKAGE
- EFFICIENCY TO 89%
- PI INPUT FILTER
- 100% BURNED IN
- UL 94V-0 PACKAGE MATERIAL
- CUSTOMIZED SOLUTIONS AVAILABLE
- REGULATED OUTPUT TYPE
- Remote Control: On/Off



**15 Watt DC/DC  
Converter**

WIDE INPUT VOLTAGE RANGE

15 WATT DC-DC CONVERTER

**Input Specifications**

|  |   |   |
|--|---|---|
| Input Voltage                              | :24Vdc  |   |
| Input Voltage Range                        | :18~36Vdc   |   |
| Under voltage shut down (lock-out circuit) | :16.0 Vdc Typ   |   |
| Remote ON/OFF                              | :Open or 3~12Vdc(DC/DC ON)<br>:Short or 0~1.2Vdc(DC/DC OFF) | @Positive logic (Standard)<br>(Refer to -Vin PIN) |
|  | : -0.5 ~ +0.5 mA  | @Input current of Remote ON/OFF pin               |
|  | :3 mA TYP   | @Remote off input current                         |

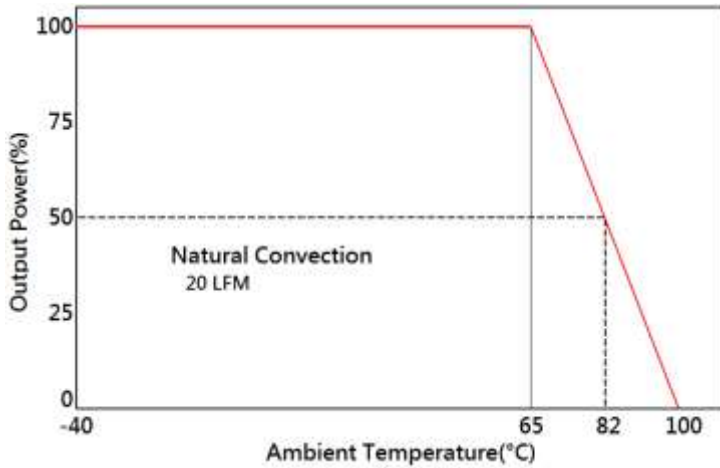
**Output Specifications**

|                          |               |                               |
|--------------------------|---------------|-------------------------------|
| Output Voltage           | :12Vdc        |                               |
| Output Voltage Accuracy  | :±2%          | @11.76~12.24Vdc @Vin=18~36Vdc |
| Output Current           | :1250mA       |                               |
| Efficiency               | :89% TYP      | @Vin=24Vdc                    |
| Ripple / Noise           | :100mVp-p MAX | @20MHz Bandwidth              |
| Short Circuit Protection | :Continuous   | @Hiccup, auto-recovery        |
| Line Regulation          | :±0.5% MAX    | @ Full Load                   |
| Load Regulation          | :±0.5% MAX    | @25% TO 100% Load             |

**General Specifications**

|                             |                                 |  |
|-----------------------------|---------------------------------|--|
| Operating Temperature Range | : -40°C ~ +82°C (with derating) | Output load derate 2.86% per degree Celsius above 65°C as refer to temperature derating graph. |
| Storage Temperature         | : -55°C ~ +125°C                |  |
| Switching Frequency         | : 400KHz TYP                    |  |
| Humidity                    | : 95% MAX                       |  |
| Isolation Voltage           | : 1500Vdc                       |  |
| Isolation Resistance        | : 1000MΩ MIN                    |  |
| Cooling                     | : Natural convection            | @20LFM   |
| MTBF                        | : ≥560000 Hours                 | MIL-HDBK-217F@25°C, Ground Benign.   |
| Case Material               | : Six-side shielded case        |  |
| Weight                      | : 16.5g TYP                     |  |

**Temperature Derating Graph**

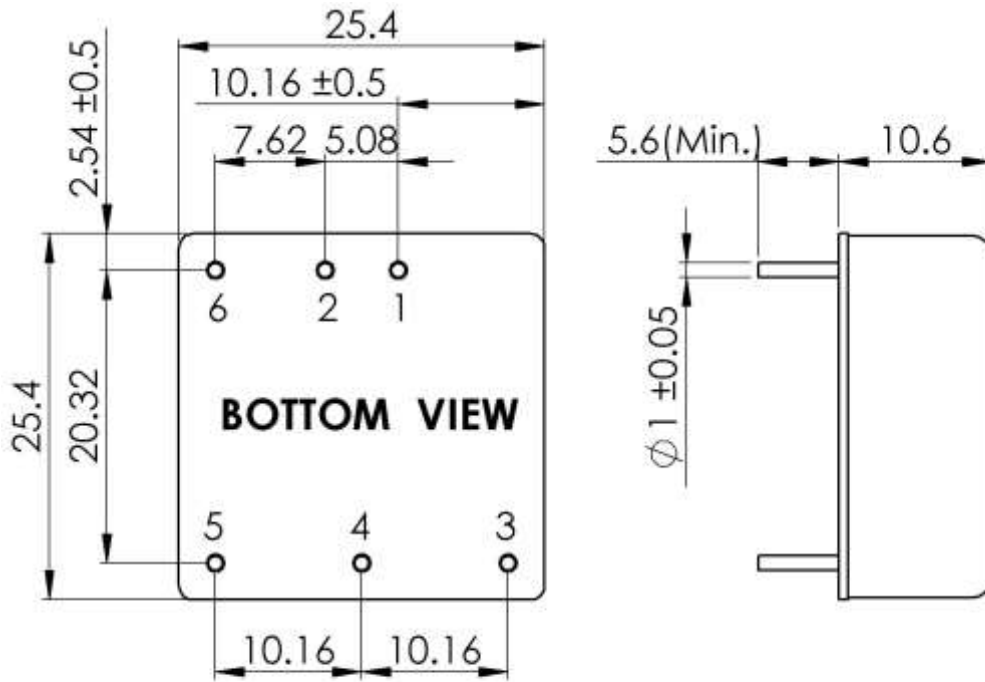


**Part Number**

**68D15- 24 S 12 R NL**  
**A B C D E F**

- A: Series**
- B: Input Voltage**
- C: Single Output**
- D: Output Voltage**
- E: Regulated(R)**
- F: RoHs Version**

**Outline Dimensions**

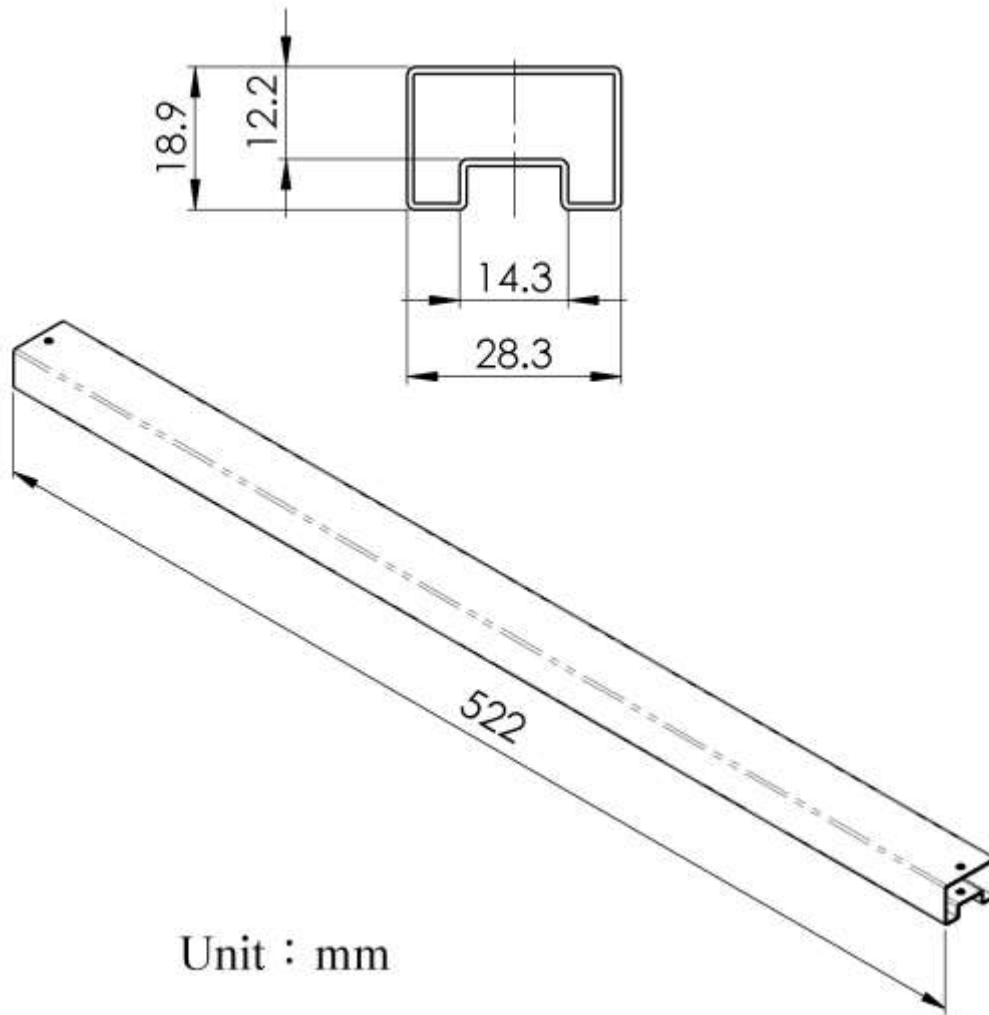


**Unit : mm**  
**Tolerance : XX.X ± 0.5 , XX.XX ± 0.25**

**PIN Assignment**

| PIN      | 1    | 2    | 3     | 4    | 5     | 6             |
|----------|------|------|-------|------|-------|---------------|
| FUNCTION | +Vin | -Vin | +Vout | Trim | -Vout | Remote On/Off |

## Packing Formation



Unit : mm

|               |                         |
|---------------|-------------------------|
| <b>Weight</b> | <b>: 16.5 grams/pcs</b> |
| <b>TUBE</b>   | <b>: 19 pcs</b>         |