

Features

- 20 WATT DIL PACKAGE
- 2:1 WIDE INPUT VOLTAGE
- EFFICIENCY TO 86%
- PI INPUT FILTER
- 100% BURNED IN
- UL 94V-0 PACKAGE MATERIAL
- CUSTOMIZED SOLUTIONS AVAILABLE
- REGULATED OUTPUT TYPE



**20 Watt DC/DC
Converter**

WIDE INPUT VOLTAGE RANGE
20 WATT DC-DC CONVERTER

Input Specifications

Input Voltage	:24Vdc	
Input Voltage Range	:18~36Vdc	
Remote ON/OFF	:Open or 3~12Vdc(DC/DC ON) :Short or 0~1.2Vdc(DC/DC OFF)	@Positive logic (Standard) (Refer to -Vin PIN)
	:-0.5 ~ +0.5 mA	@Input current of Remote ON/OFF pin
	: 3 mA TYP	@Remote off input current

Output Specifications

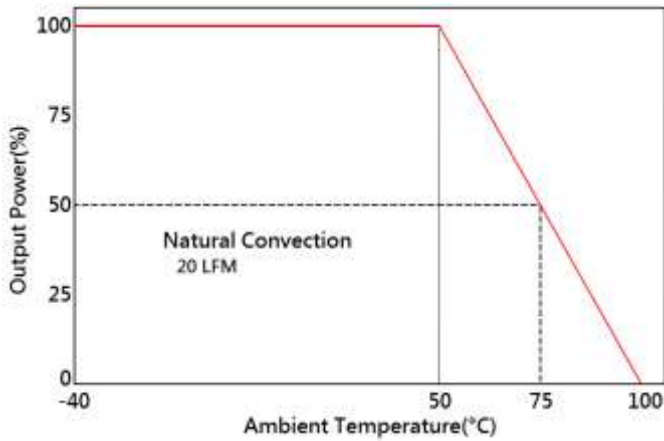
Output Voltage	:3.3Vdc	
Output Voltage Accuracy	:±2%	@3.234~3.366Vdc@Vin=18~36Vdc
Output Current	:4500mA	
Efficiency	:86% TYP	@Vin=24Vdc
Ripple / Noise	:100mVp-p MAX	@20MHz Bandwidth
Short Circuit Protection	:Continuous	@Hiccup, auto-recovery
Line Regulation	:±0.5% MAX	@Full Load
Load Regulation	:±0.5% MAX	@25% TO 100% Load

General Specifications

Operating Temperature Range	:-40°C ~ +75°C (with derating)	Output load derate 2% per degree Celsius above 50°C as refer to temperature derating graph.
Storage Temperature	:-55°C ~ +125°C	
Switching Frequency	:330KHz TYP	
Humidity	:95% MAX	
Isolation Voltage	:1500Vdc	
Isolation Resistance	:1000MΩ MIN	
Cooling	:Natural Convection	@20LFM
MTBF	:>=340000 Hours	MIL-HDBK-217F@25°C,Ground Benign.
Case Material	:Six-side shielded case	
Weight	:16.5g TYP	
Conducted Emission	:EN55022 Class A	
Radiated Emission	:EN55022 Class A	

Temperature Derating Graph

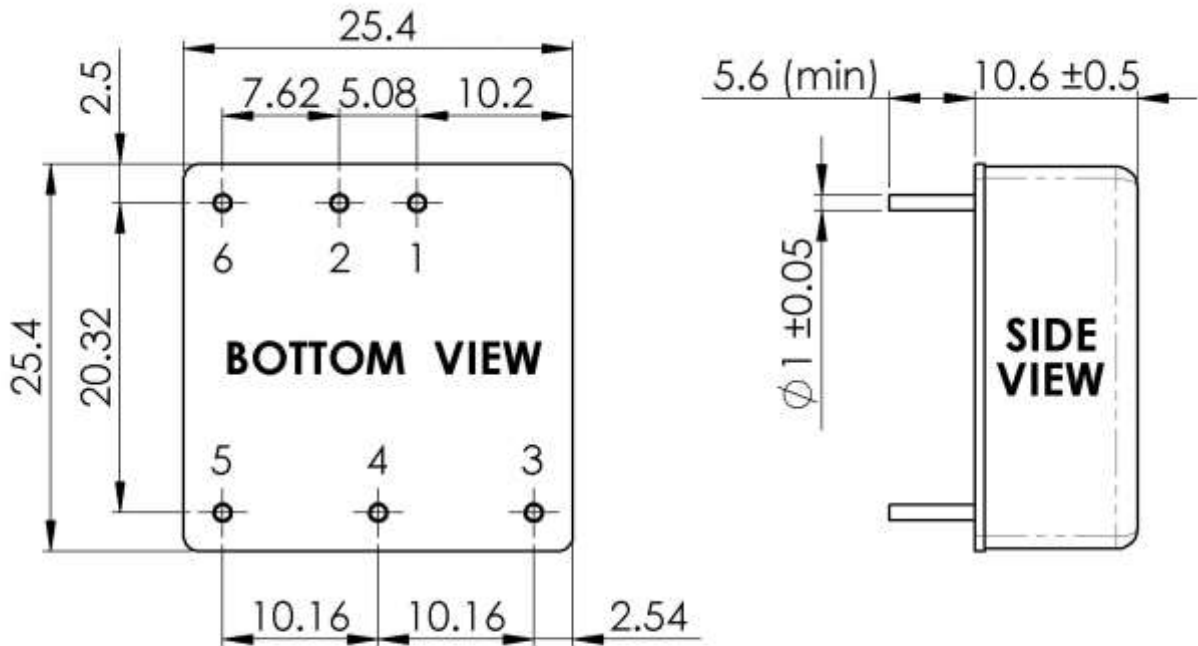
Part Number



68D20- **24** **S** **03** **R** **NL**
A **B** **C** **D** **E** **F**

- A: Series**
- B: Input Voltage**
- C: Single Output**
- D: Output Voltage**
- E: Regulated(R)**
- F: RoHs Version**

Outline Dimensions

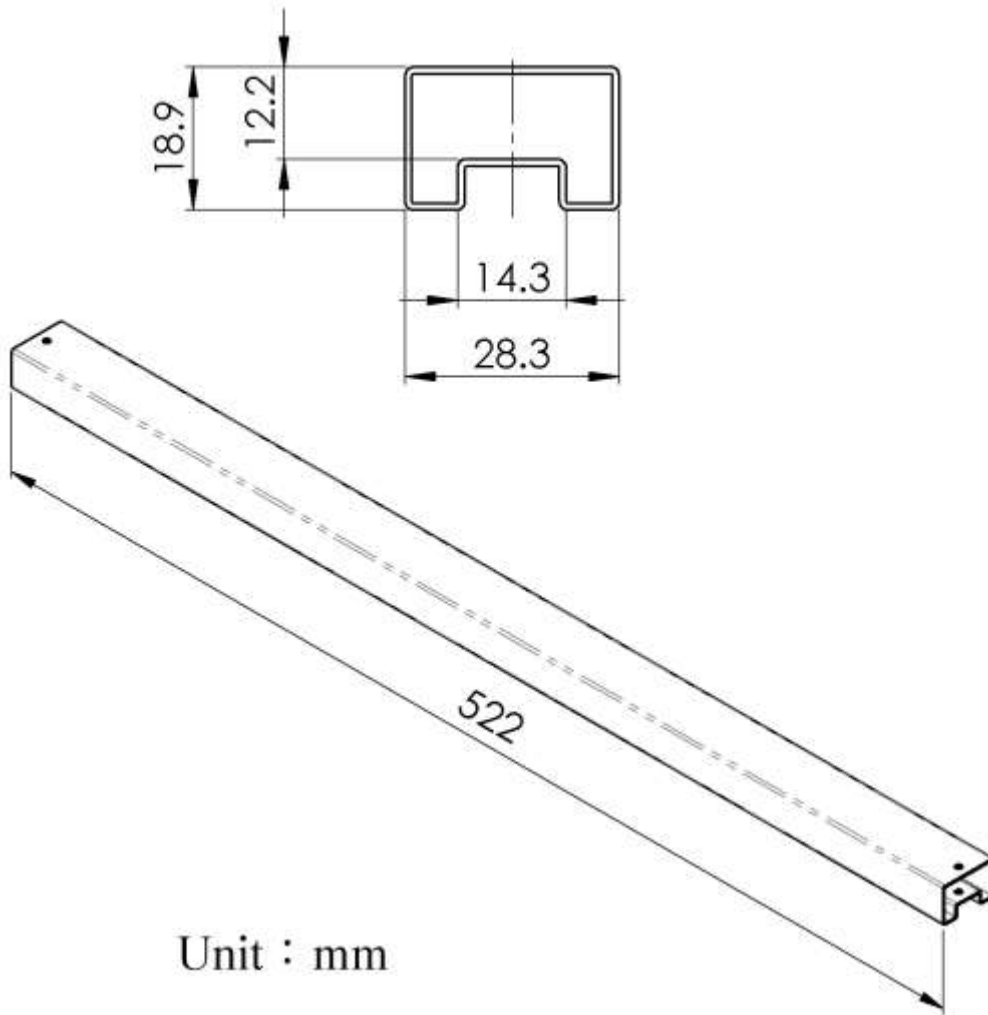


Unit : mm
 Tolerance : XX.X ± 0.5 , XX.XX ± 0.25

PIN Assignment

PIN	1	2	3	4	5	6
FUNCTION	+Vin	-Vin	+Vout	Trim	-Vout	Remote ON/OFF

Packing Formation



Weight	: 16.5 grams/pcs
TUBE	: 19 pcs