

Features

- 20 WATT DIL PACKAGE
- 2:1 WIDE INPUT VOLTAGE
- EFFICIENCY TO 87%
- LC INPUT FILTER
- 100% BURNED IN
- UL 94V-0 PACKAGE MATERIAL
- CUSTOMIZED SOLUTIONS AVAILABLE
- REGULATED OUTPUT TYPE



**20 Watt DC/DC
Converter**

WIDE INPUT VOLTAGE RANGE
20 WATT DC-DC CONVERTER

Input Specifications

| | | |
|---------------------|---|---|
| Input Voltage | :48Vdc | |
| Input Voltage Range | :36~75Vdc | |
| Remote ON/OFF | :Open or 3~12Vdc(DC/DC ON) :Short or 0~1.2Vdc(DC/DC OFF) | @Positive logic (Standard) (Refer to -Vin PIN) |
| | :-0.5 ~ +0.5 mA | @Input current of Remote ON/OFF pin |
| | : 3 mA TYP | @Remote off input current |

Output Specifications

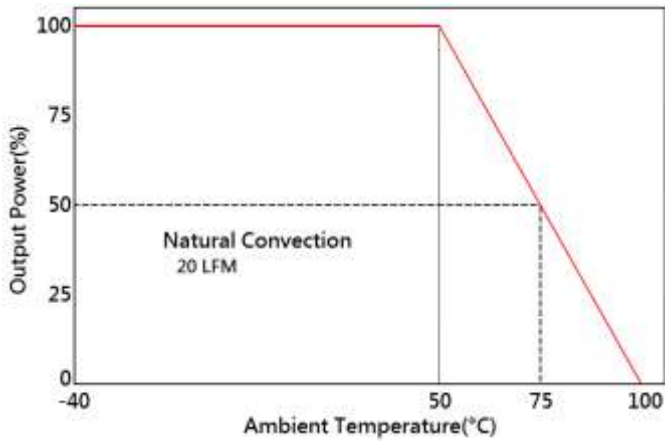
| | | |
|--------------------------|---------------|------------------------------|
| Output Voltage | :3.3Vdc | |
| Output Voltage Accuracy | :±2% | @3.234~3.366Vdc@Vin=36~75Vdc |
| Output Current | :4500mA | |
| Efficiency | :87% TYP | @Vin=48Vdc |
| Ripple / Noise | :100mVp-p MAX | @20MHz Bandwidth |
| Short Circuit Protection | :Continuous | @Hiccup, auto-recovery |
| Line Regulation | :±0.5% MAX | @Full Load |
| Load Regulation | :±0.5% MAX | @25% TO 100% Load |

General Specifications

| | | |
|-----------------------------|--------------------------------|---|
| Operating Temperature Range | :-40°C ~ +75°C (with derating) | Output load derate 2% per degree Celsius above 50°C as refer to temperature derating graph. |
| Storage Temperature | :-55°C ~ +125°C | |
| Switching Frequency | :330KHz TYP | |
| Humidity | :95% MAX | |
| Isolation Voltage | :1500Vdc | |
| Isolation Resistance | :1000MΩ MIN | |
| Cooling | :Natural Convection | @20LFM |
| MTBF | :>=340000 Hours | MIL-HDBK-217F@25°C,Ground Benign. |
| Case Material | :Six-side shielded case | |
| Weight | :16.5g TYP | |
| Conducted Emission | :EN55022 Class A | |
| Radiated Emission | :EN55022 Class A | |

Temperature Derating Graph

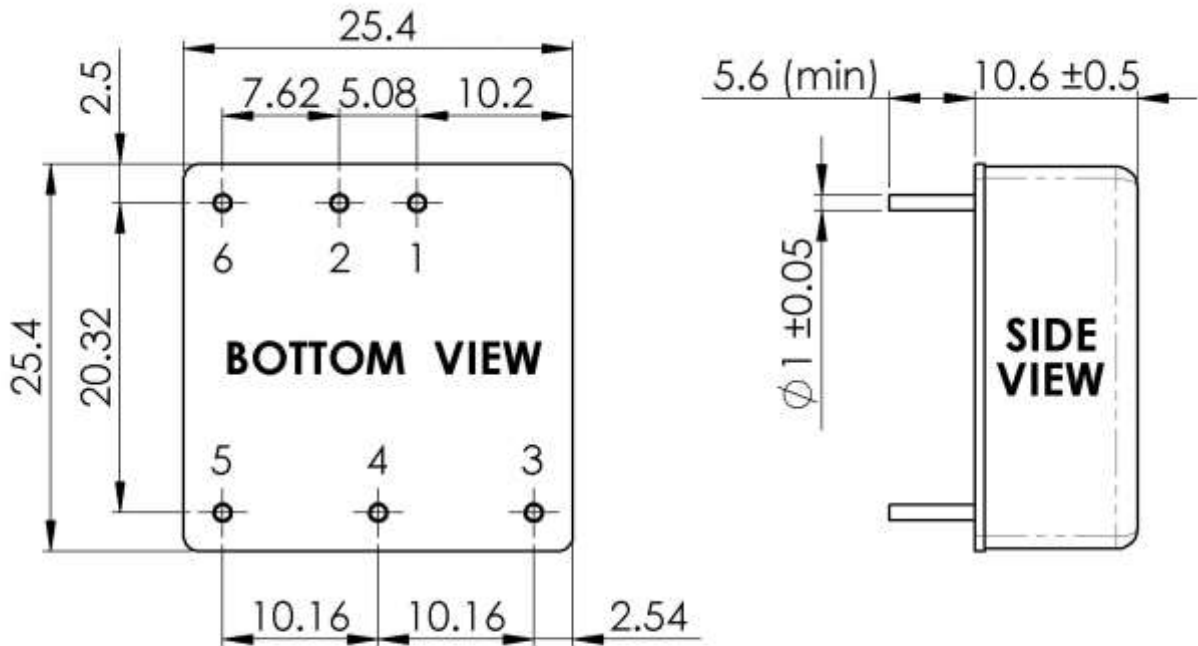
Part Number



68D20- **48** **S** **03** **R** **NL**
A **B** **C** **D** **E** **F**

- A: Series**
- B: Input Voltage**
- C: Single Output**
- D: Output Voltage**
- E: Regulated(R)**
- F: RoHs Version**

Outline Dimensions

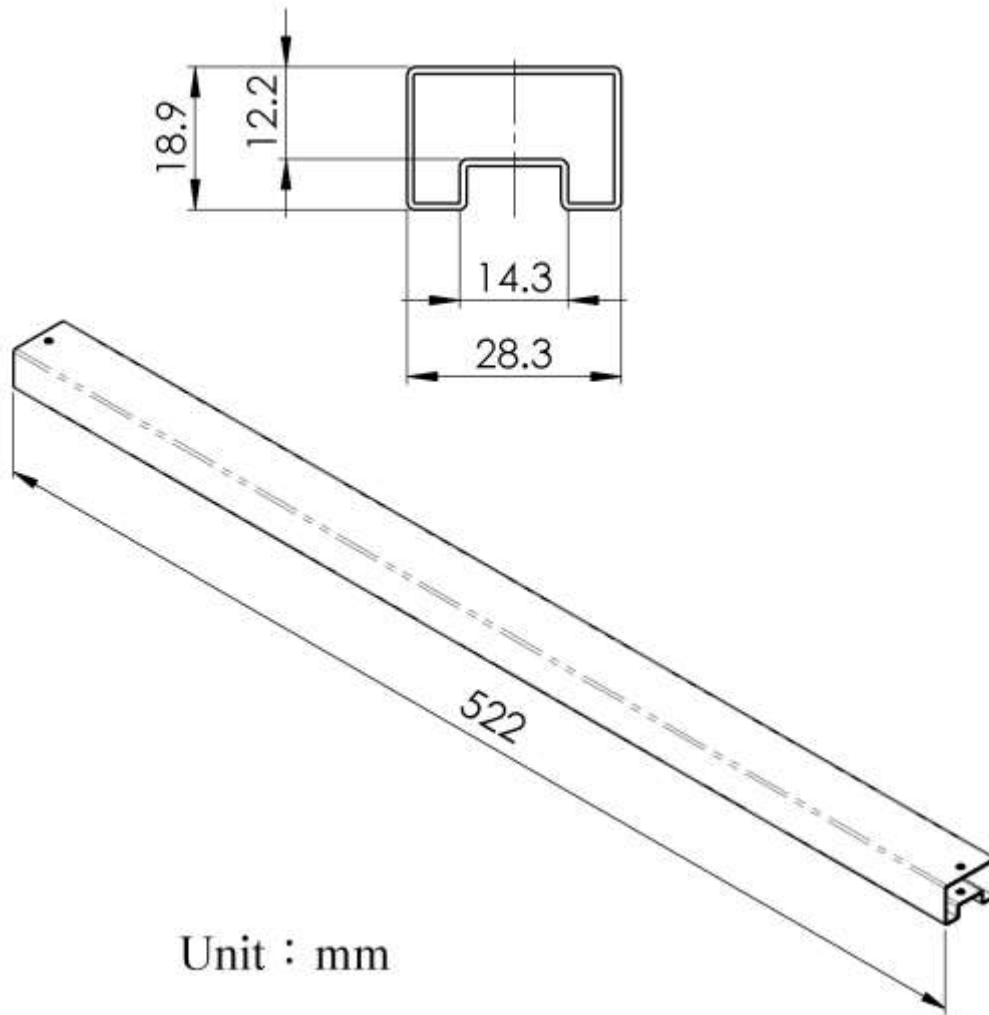


Unit : mm
 Tolerance : XX.X ± 0.5 , XX.XX ± 0.25

PIN Assignment

| PIN | 1 | 2 | 3 | 4 | 5 | 6 |
|----------|------|------|-------|------|-------|---------------|
| FUNCTION | +Vin | -Vin | +Vout | Trim | -Vout | Remote ON/OFF |

Packing Formation



Unit : mm

| | |
|--------|------------------|
| Weight | : 16.5 grams/pcs |
| TUBE | : 19 pcs |