

**Features**

- 20 WATT DIL PACKAGE
- 2:1 WIDE INPUT VOLTAGE
- EFFICIENCY TO 88%
- PI INPUT FILTER
- 100% BURNED IN
- UL 94V-0 PACKAGE MATERIAL
- CUSTOMIZED SOLUTIONS AVAILABLE
- REGULATED OUTPUT TYPE



**20 Watt DC/DC  
Converter**

WIDE INPUT VOLTAGE RANGE  
20 WATT DC-DC CONVERTER

**Input Specifications**

Input Voltage	:48Vdc
Input Voltage Range	:36~75Vdc

**Output Specifications**

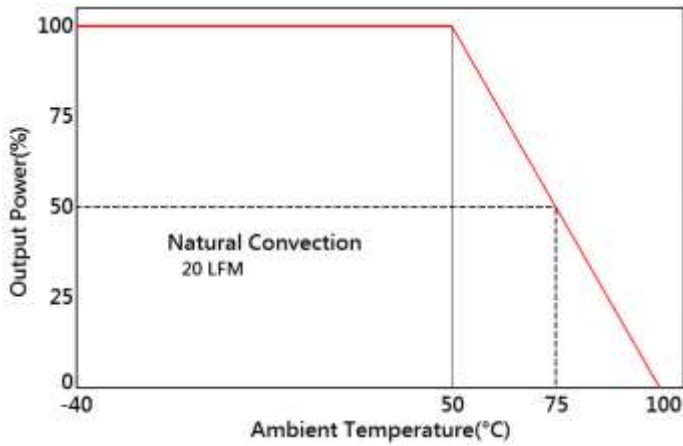
Output Voltage	:24Vdc	
Output Voltage Accuracy	:±2%	@23.52V~24.48Vdc @Vin=36~75V
Output Current	:833mA	
Efficiency	:88% TYP	@Vin=48Vdc
Ripple / Noise	:100mVp-p MAX	@20MHz Bandwidth
Short Circuit Protection	:Continuous	@Hiccup, auto-recovery
Line Regulation	:±0.5% MAX	@LL TO FL ,Full Load
Load Regulation	:±0.5% MAX	@25%FL TO 100%FL

**General Specifications**

Operating Temperature Range	: -40°C ~ +75°C (with derating)	
Storage Temperature	: -55°C ~ +125°C	
Switching Frequency	: 330KHz TYP	
Humidity	: 95% MAX	
Isolation Voltage	: 1500Vdc	
Isolation Resistance	: 1000MΩ MIN	
Cooling	: Free air convection	
MTBF	: ≥340000 Hours	MIL-HDBK-217F @25°C, Ground Benign.
Case Material	: Six-side shielded case	
Weight	: 16.5g TYP	
Conducted Emission	: EN55022 Class A	
Radiated Emission	: EN55022 Class A	

Temperature Derating Graph

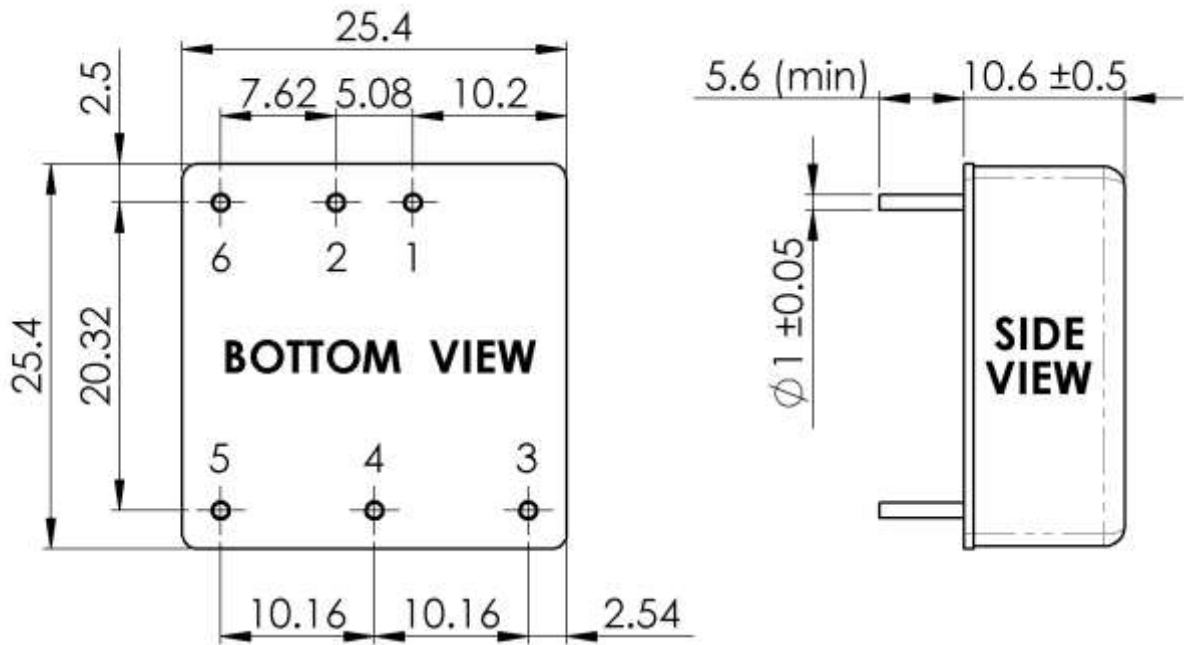
Part Number



**68D20-** **48** **S** **24** **R** **NL**  
**A** **B** **C** **D** **E** **F**

- A: Series**
- B: Input Voltage**
- C: Single Output**
- D: Output Voltage**
- E: Regulated(R)**
- F: RoHs Version**

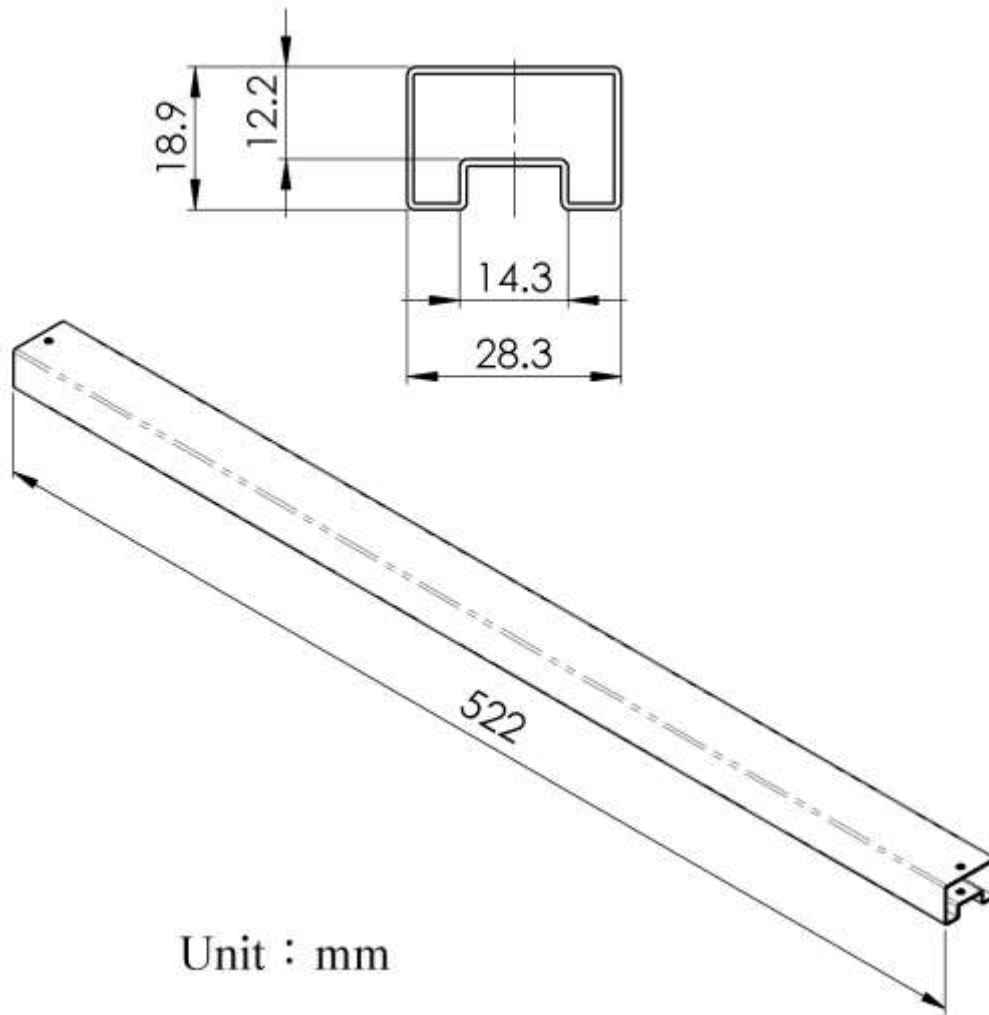
Outline Dimensions



PIN Assignment

PIN	1	2	3	4	5	6
FUNCTION	+Vin	-Vin	+Vout	Trim	-Vout	Remote On/Off

## Packing Formation



Unit : mm

Weight	: 16.5 grams/pcs
TUBE	: 19 pcs