

Features

- 10 WATT DIL PACKAGE
- 4:1 WIDE INPUT VOLTAGE
- EFFICIENCY TO 84%
- PI INPUT FILTER
- 100% BURNED IN
- UL 94V-0 PACKAGE MATERIAL
- CUSTOMIZED SOLUTIONS AVAILABLE
- REGULATED OUTPUT TYPE



**10 Watt DC/DC
Converter**

WIDE INPUT VOLTAGE RANGE
10 WATT DC-DC CONVERTER

Input Specifications

| | |
|---------------------|----------|
| Input Voltage | :24Vdc |
| Input Voltage Range | :9~36Vdc |

Output Specifications

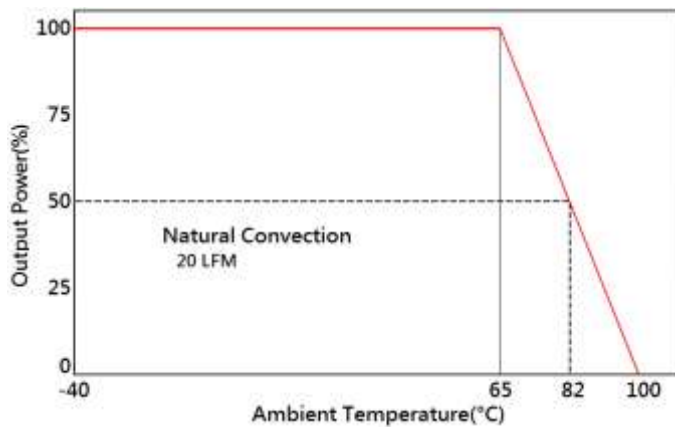
| | | |
|--------------------------|---------------|------------------------------|
| Output Voltage | :±5Vdc | |
| Output Voltage Accuracy | :±2% | @±4.90~±5.10Vdc @Vin=9~36Vdc |
| Output Current | :±1000mA | |
| Efficiency | :84% TYP | @Vin=24Vdc |
| Ripple / Noise | :100mVp-p MAX | @20MHz Bandwidth |
| Short Circuit Protection | :Continuous | @Hiccup, auto-recovery |
| Line Regulation | :±0.5% MAX | @Full Load |
| Load Regulation | :±5% MAX | @25% TO 100% load |

General Specifications

| | | |
|-----------------------------|---------------------------------|--|
| Operating Temperature Range | : -40°C ~ +82°C (with derating) | Output load derate 2.86% per degree Celsius above 65°C as refer to temperature derating graph. |
| Storage Temperature | : -55°C ~ +125°C | |
| Switching Frequency | : 300KHz TYP | |
| Humidity | : 95% MAX | |
| Isolation Voltage | : 5000Vac | |
| Isolation Resistance | : 1000M Ω MIN | |
| Cooling | : Natural Convection | @20LFM |
| MTBF | : ≥900000 Hours | MIL-HDBK-217F@25°C, Ground Benign. |
| Case Material | : Plastic case | |
| Weight | : 13.5 g TYP | |
| Conducted Emission | : EN55011 CLASS A | |
| Radiated Emission | : EN55011 CLASS A | |

Temperature Derating Graph

Part Number



68DW10- **24** **D** **05** **R** **M**
A **B** **C** **D** **E** **F**

A: Series

B: Input Voltage

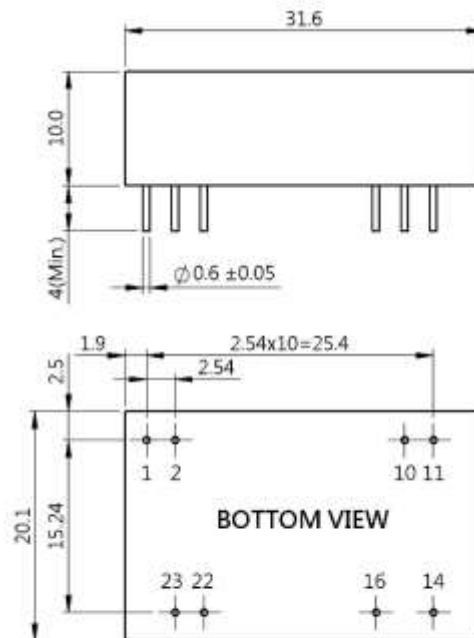
C: Dual Output

D: Output Voltage

E: Regulated(R)

F: Medical Application

Outline Dimensions



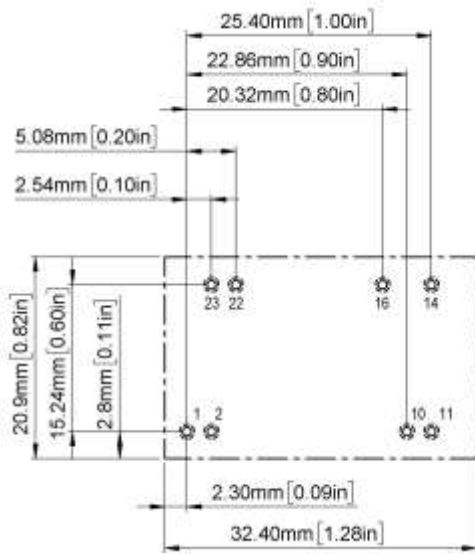
Unit : mm

Tolerance : XX.X ±0.5 , XX.XX ±0.25

PIN Assignment

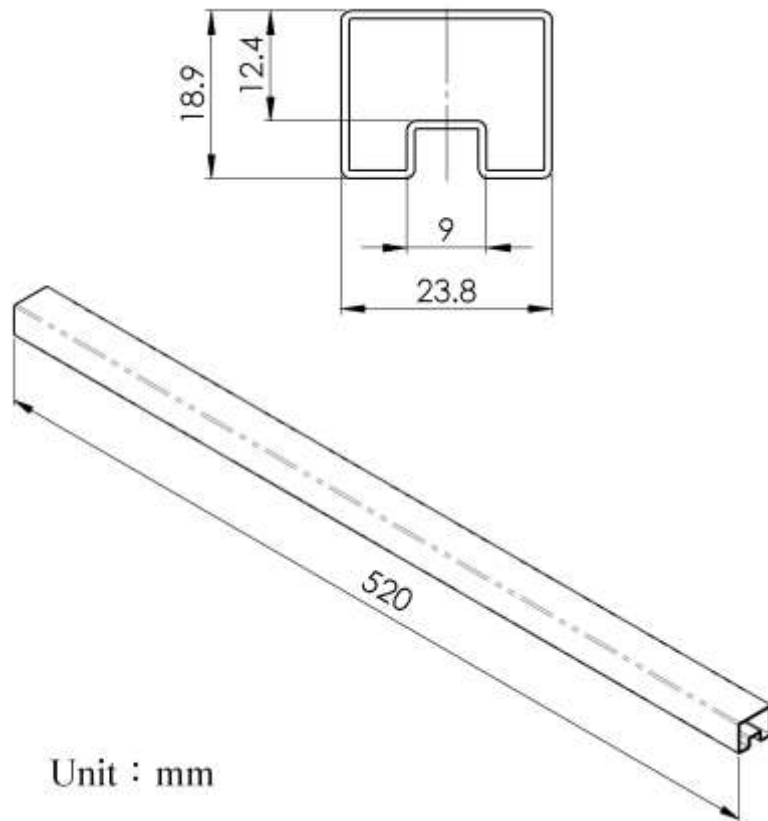
| PIN | 1 | 2 | 10 | 11 | 14 | 16 | 22 | 23 |
|----------|---------------|------|------|-------|-------|-----|------|------|
| FUNCTION | Remote ON/OFF | -Vin | Trim | -Vout | +Vout | Com | +Vin | +Vin |

Recommended Pad Layout



Pad Size (lead free recommended) :
 Through hole 1,2,10,11,14,16,22,23 : \varnothing 0.9mm[0.035in]
 Top view pad 1,2,10,11,14,16,22,23 : \varnothing 1.13mm[0.044in]
 Bottom view pad 1,2,10,11,14,16,22,23 : \varnothing 1.80mm[0.071in]

Packing Formation



Unit : mm

| | |
|---------------|-------------------------|
| Weight | : 13.5 grams/pcs |
| TUBE | : 15 pcs |