

Features

- 10 WATT DIL PACKAGE
- 4:1 WIDE INPUT VOLTAGE
- EFFICIENCY TO 86%
- 100% BURNED IN
- UL 94V-0 PACKAGE MATERIAL
- CUSTOMIZED SOLUTIONS AVAILABLE
- Remote Control: On/Off

**10 Watt DC/DC Converter**

WIDE INPUT VOLTAGE RANGE

10 WATT DC-DC CONVERTER

Input Specifications

Input Voltage	:24Vdc	
Input Voltage Range	:9~36Vdc	
Under voltage shut down (lock-out circuit)	:8.0 Vdc Typ	
Remote ON/OFF	:Open or 3~12Vdc(DC/DC ON)	@Positive logic
	:Short or 0~1.2Vdc(DC/DC OFF)	(Refer to -Vin PIN)
	:-0.5 ~ +0.5 mA	@Input current of Remote ON/OFF pin
	:3 mA TYP	@Remote off input current

Output Specifications

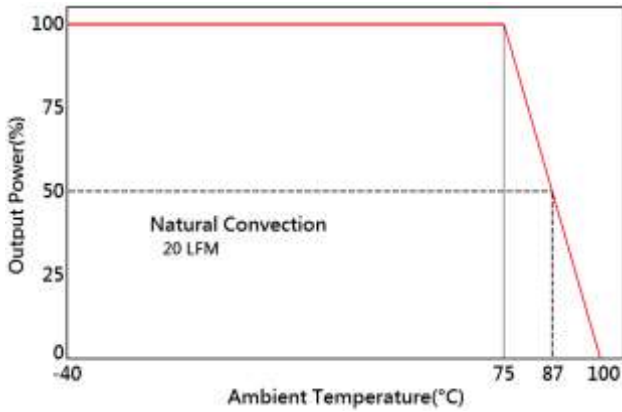
Output Voltage	:±12Vdc	
Output Voltage Accuracy	:±2%	@±11.76~±12.24Vdc @Vin=9~36Vdc
Output Current	:±415mA	
Efficiency	:86% TYP	@Vin=24Vdc
Ripple / Noise	:100mVp-p MAX	@20MHz Bandwidth
Short Circuit Protection	:Continuous	@Hiccup, auto-recovery
Line Regulation	:±0.5% MAX	@Full Load
Load Regulation	:±5.0% MAX	@25% TO 100% load

General Specifications

Operating Temperature Range	:-40°C ~ +87°C (with derating)	Output load derate 4% per degree Celsius above 75°C as refer to temperature derating graph.
Storage Temperature	:-55°C ~ +125°C	
Switching Frequency	:400KHz TYP	
Humidity	:95% MAX	
Isolation Voltage	:1500Vdc	
Isolation Resistance	:1000M Ω MIN	
Cooling	:Natural Convection	@20LFM
MTBF	:>=560000 Hours	MIL-HDBK-217F@25°C,Ground Benign.
Case Material	:Six-side shielded case	
Weight	:16.5 g TYP	
Conducted Emission	:EN55022 Class A	
Radiated Emission	:EN55022 Class A	

Temperature Derating Graph

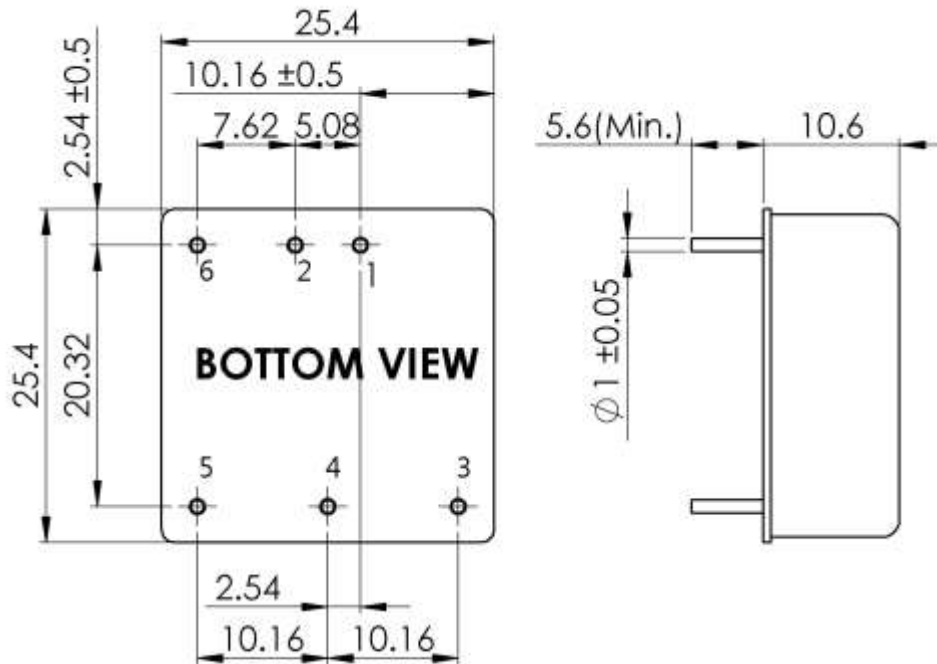
Part Number



68DW10- **24** **D** **12** **R** **6**
A **B** **C** **D** **E** **F**

- A: Series**
- B: Input Voltage**
- C: Dual Output**
- D: Output Voltage**
- E: Regulated(R)**
- F: Package**

Outline Dimensions

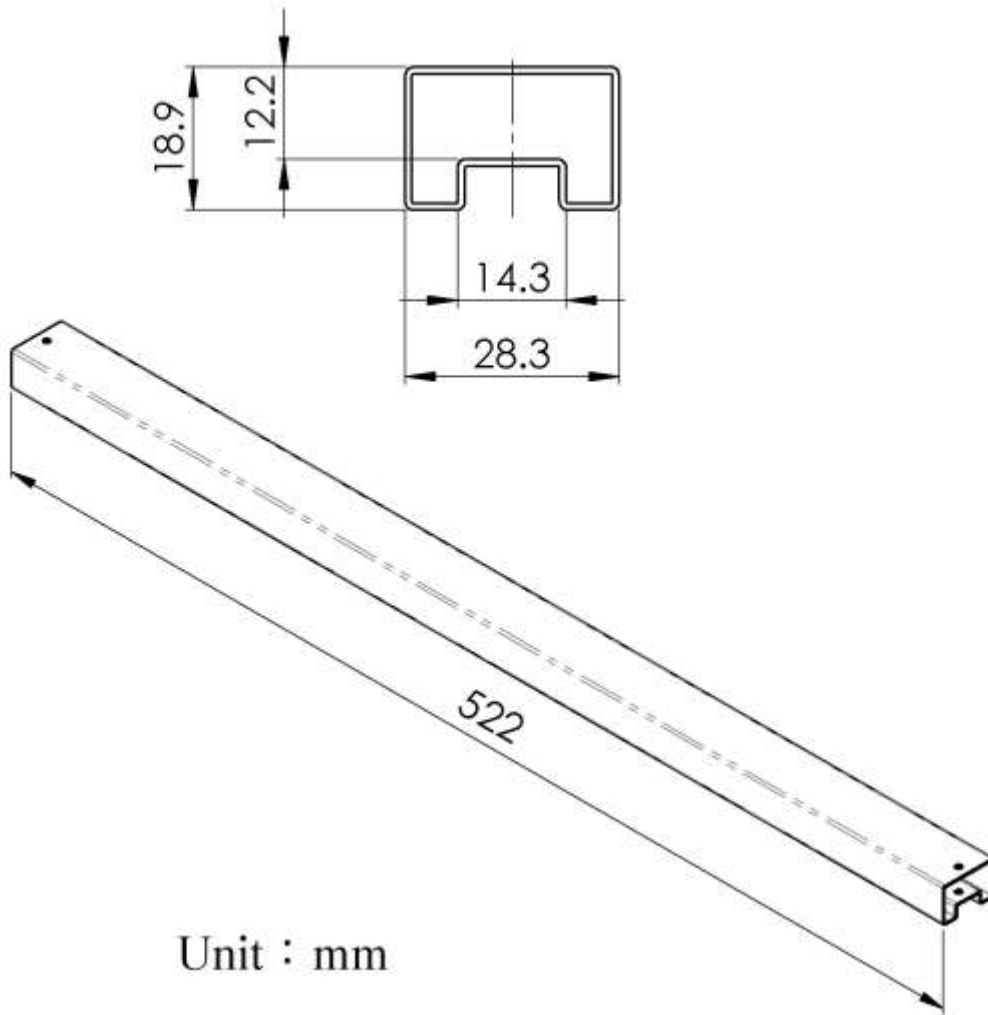


Unit : mm
Tolerance : XX.X ± 0.5 , XX.XX ± 0.25

PIN Assignment

PIN	1	2	3	4	5	6
FUNCTION	+Vin	-Vin	+Vout	Com	-Vout	Remote ON/OFF

Packing Formation



Weight	: 16.5 grams/pcs
TUBE	: 19 pcs