

**Features**

- 10 WATT DIL PACKAGE
- 4:1 WIDE INPUT VOLTAGE
- EFFICIENCY TO 85%
- PI INPUT FILTER
- 100% BURNED IN
- UL 94V-0 PACKAGE MATERIAL
- CUSTOMIZED SOLUTIONS AVAILABLE
- REGULATED OUTPUT TYPE



**10 Watt DC/DC  
Converter**

WIDE INPUT VOLTAGE RANGE

10 WATT DC-DC CONVERTER

**Input Specifications**

Input Voltage	:24Vdc
Input Voltage Range	:9~36Vdc

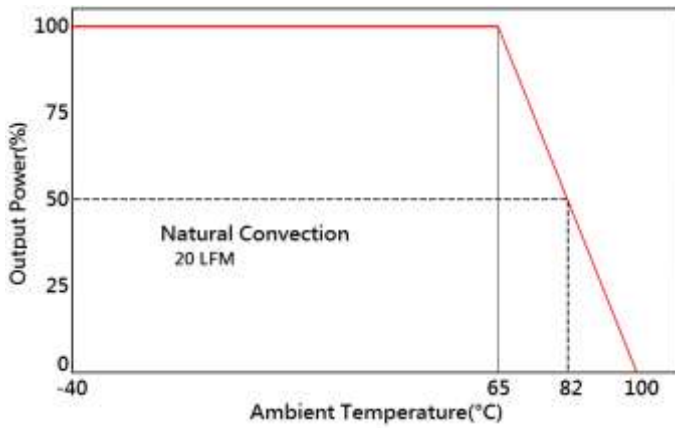
**Output Specifications**

Output Voltage	:±12Vdc	
Output Voltage Accuracy	:±2%	@±11.76~±12.24Vdc @Vin=9~36Vdc
Output Current	:±420mA	
Efficiency	:85% TYP	@Vin=24Vdc
Ripple / Noise	:100mVp-p MAX	@20MHz Bandwidth
Short Circuit Protection	:Continuous	@Hiccup, auto-recovery
Line Regulation	:±0.5% MAX	@Full Load
Load Regulation	:±5% MAX	@25% TO 100% load

**General Specifications**

Operating Temperature Range	: -40°C ~ +82°C (with derating)	Output load derate 2.86% per degree Celsius above 65°C as refer to temperature derating graph.
Storage Temperature	: -55°C ~ +125°C	
Switching Frequency	: 300KHz TYP	
Humidity	: 95% MAX	
Isolation Voltage	: 5000Vac	
Isolation Resistance	: 1000M Ω MIN	
Cooling	: Free air convection	
MTBF	: ≥900000 Hours	MIL-HDBK-217F@25°C, Ground Benign.
Case Material	: Plastic case	
Weight	: 15.5 g TYP	
Conducted Emission	: EN55011 CLASS A	
Radiated Emission	: EN55011 CLASS A	

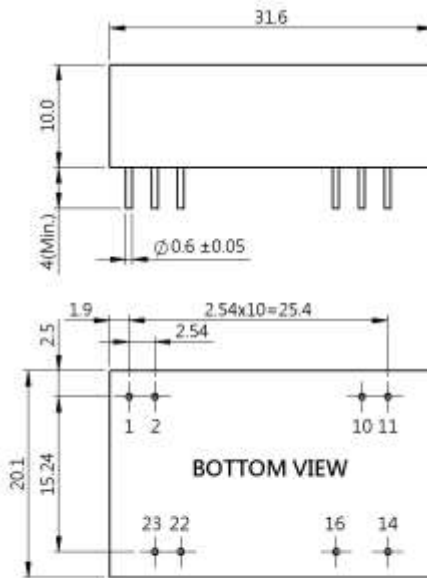
**Temperature Derating Graph** **Part Number**



**68DW10-** **24** **D** **12** **R** **M**  
**A** **B** **C** **D** **E** **F**

- A: Series**
- B: Input Voltage**
- C: Dual Output**
- D: Output Voltage**
- E: Regulated(R)**
- F: Medical Application**

**Outline Dimensions**

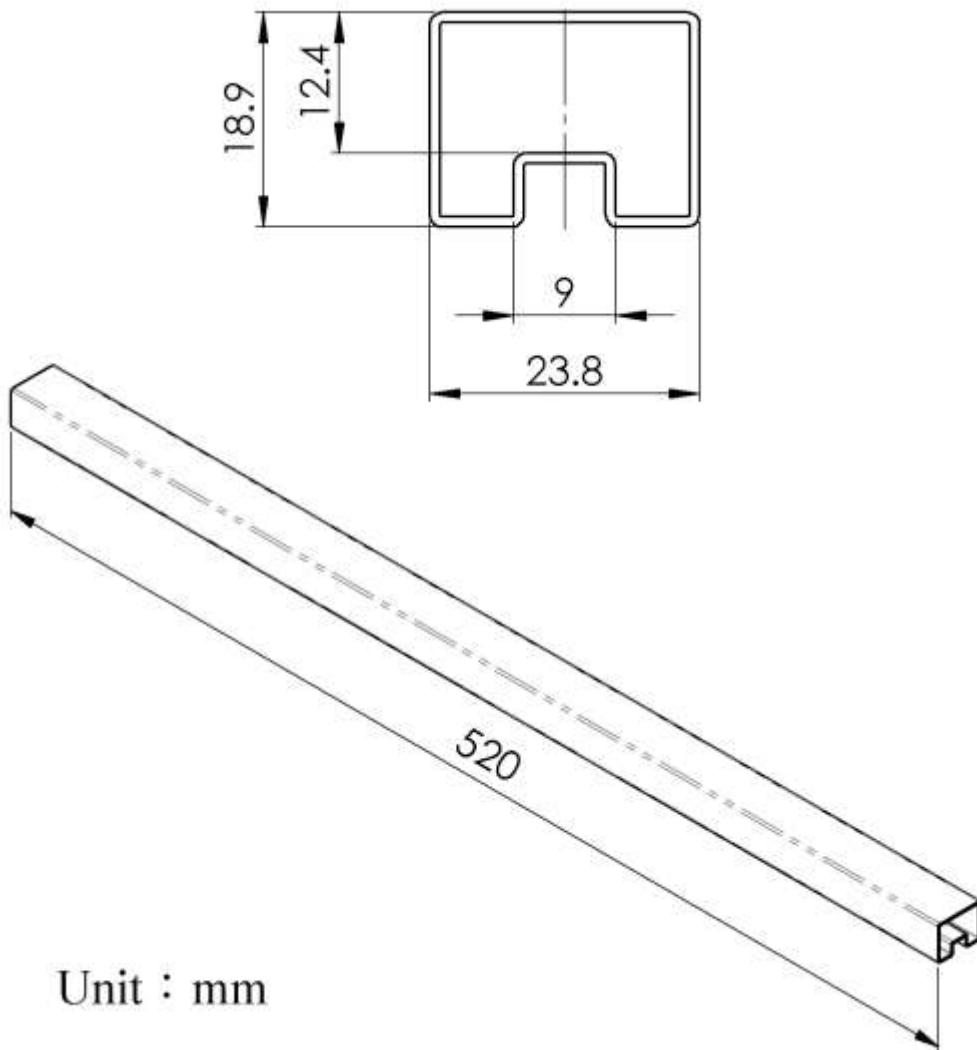


Unit : mm  
 Tolerance : XX.X ±0.5 , XX.XX ±0.25

**PIN Assignment**

PIN	1	2	10	11	14	16	23	23
FUNCTION	Ctrl	-Vin	Trim	-Vout	+Vout	Common	+Vin	+Vin

## Packing Formation



Unit : mm

<b>Weight</b>	<b>: 17.5 grams/pcs</b>
---------------	-------------------------

<b>TUBE</b>	<b>: 15 pcs</b>
-------------	-----------------