

Features

- 10 WATT DIL PACKAGE
- 4:1 WIDE INPUT VOLTAGE
- EFFICIENCY TO 85%
- PI INPUT FILTER
- 100% BURNED IN
- UL 94V-0 PACKAGE MATERIAL
- CUSTOMIZED SOLUTIONS AVAILABLE
- REGULATED OUTPUT TYPE



**10 Watt DC/DC
Converter**

WIDE INPUT VOLTAGE RANGE

10 WATT DC-DC CONVERTER

Input Specifications

Input Voltage	:24Vdc
Input Voltage Range	:9~36Vdc

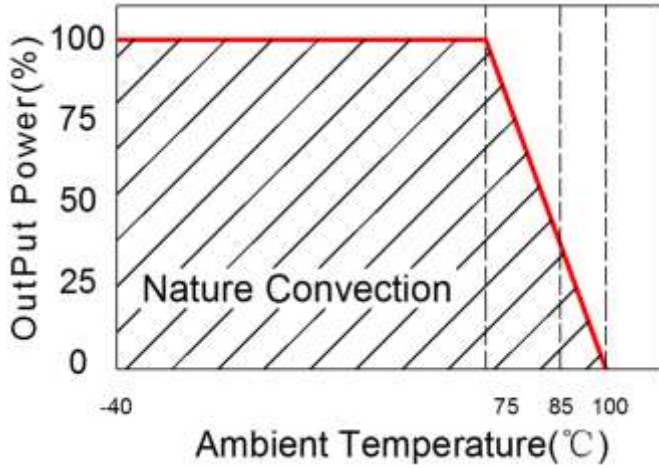
Output Specifications

Output Voltage	:±15Vdc	
Output Voltage Accuracy	:±2%	@±14.7~±15.3Vdc @Vin=9~36Vdc
Output Current	:±340mA	
Efficiency	:85% TYP	@Vin=24Vdc
Ripple / Noise	:100mVp-p MAX	@20MHz Bandwidth
Short Circuit Protection	:Continuous	@Hiccup, auto-recovery
Line Regulation	:±0.5% MAX	@Full Load
Load Regulation	:±5% MAX	@25% TO 100% load

General Specifications

Operating Temperature Range	: -40°C ~ +100°C (with derating)	Output load derate 4% per degree Celsius above 75°C as refer to temperature derating graph.
Storage Temperature	: -55°C ~ +125°C	
Switching Frequency	: 300KHz TYP	
Humidity	: 95% MAX	
Isolation Voltage	: 5000Vac	
Isolation Resistance	: 1000M Ω MIN	
Cooling	: Free air convection	
MTBF	: ≥900000 Hours	MIL-HDBK-217F@25°C, Ground Benign.
Case Material	: Plastic case	
Weight	: 15.5 g TYP	
Conducted Emission	: EN55011 CLASS A	
Radiated Emission	: EN55011 CLASS A	

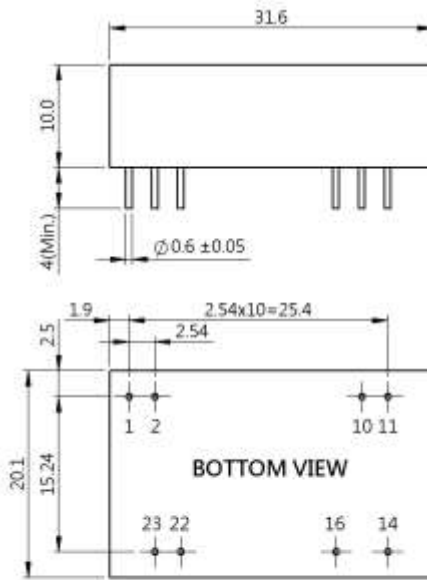
Temperature Derating Graph **Part Number**



68DW10- **24** **D** **15** **R** **M**
A **B** **C** **D** **E** **F**

- A: Series**
- B: Input Voltage**
- C: Dual Output**
- D: Output Voltage**
- E: Regulated(R)**
- F: Medical Application**

Outline Dimensions

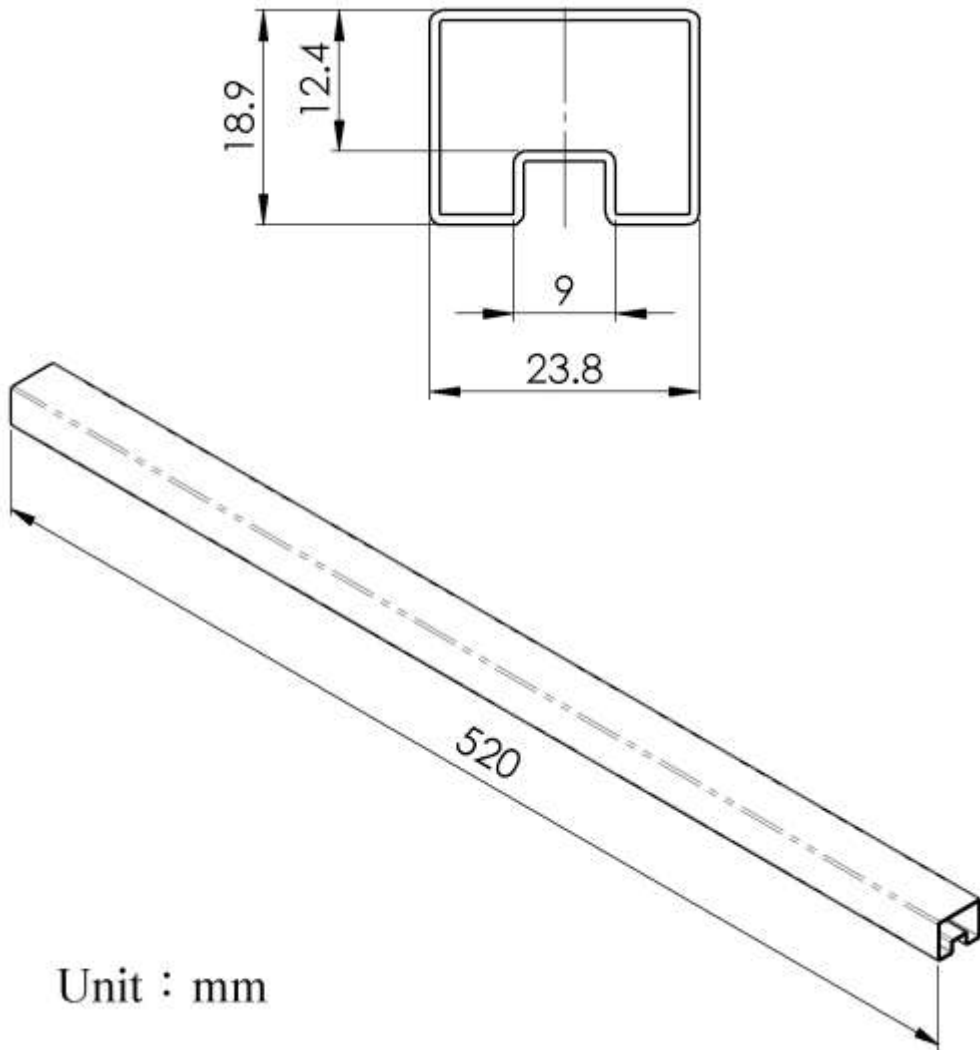


Unit : mm
 Tolerance : XX.X ±0.5 , XX.XX ±0.25

PIN Assignment

PIN	1	2	10	11	14	16	23	23
FUNCTION	Ctrl	-Vin	Trim	-Vout	+Vout	Common	+Vin	+Vin

Packing Formation



Unit : mm

Weight	: 17.5 grams/pcs
TUBE	: 15 pcs