

**Features**

- 10 WATT DIL PACKAGE
- 4:1 WIDE INPUT VOLTAGE
- EFFICIENCY TO 84%
- PI INPUT FILTER
- 100% BURNED IN
- UL 94V-0 PACKAGE MATERIAL
- CUSTOMIZED SOLUTIONS AVAILABLE
- REGULATED OUTPUT TYPE



**10 Watt DC/DC  
Converter**

WIDE INPUT VOLTAGE RANGE

10 WATT DC-DC CONVERTER

**Input Specifications**

Input Voltage	:24Vdc	
Input Voltage Range	:9~36Vdc	
Remote ON/OFF	:Open or 3~12Vdc(DC/DC ON)	@Positive logic (Standard)
	:Short or 0~1.2Vdc(DC/DC OFF)	(Refer to -Vin PIN)
	:-0.5 ~ +0.5 mA	@Input current of Remote ON/OFF pin
	:3 mA TYP	@Remote off input current

**Output Specifications**

Output Voltage	:3.3Vdc	
Output Voltage Accuracy	:±2%	@3.234~3.366Vdc @Vin=9~36Vdc
Output Current	:3000mA	
Efficiency	:84% TYP	@Vin=24Vdc
Ripple / Noise	:100mVp-p MAX	@20MHz Bandwidth
Short Circuit Protection	:Continuous	@Hiccup, auto-recovery
Line Regulation	:±0.5% MAX	@ Full Load
Load Regulation	:±0.5% MAX	@25% TO 100% Load

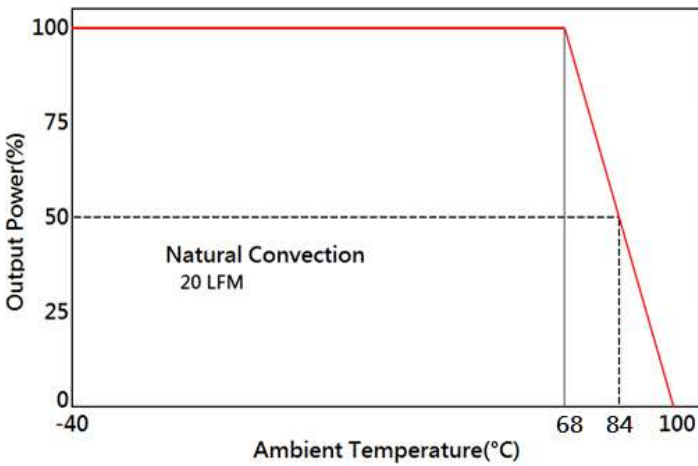
**General Specifications**

Operating Temperature Range	:-40°C ~ +84°C (with derating)	Output load derate 3.125% per degree Celsius above 68°C as refer to temperature derating graph.
Storage Temperature	:-55°C ~ +125°C	
Switching Frequency	:400KHz TYP	
Humidity	:95% MAX	
Isolation Voltage	:1500Vdc	
Isolation Resistance	:1000M Ω MIN	
Cooling	:Natural Convection	@20LFM
MTBF	:>=900000 Hours	MIL-HDBK-217F@25°C,Ground Benign.
Case Material	:Six-side shielded case	
Weight	:17.5 g TYP	
Conducted Emission	:EN55022 Class A	
Radiated Emission	:EN55022 Class A	

Temperature Derating Graph

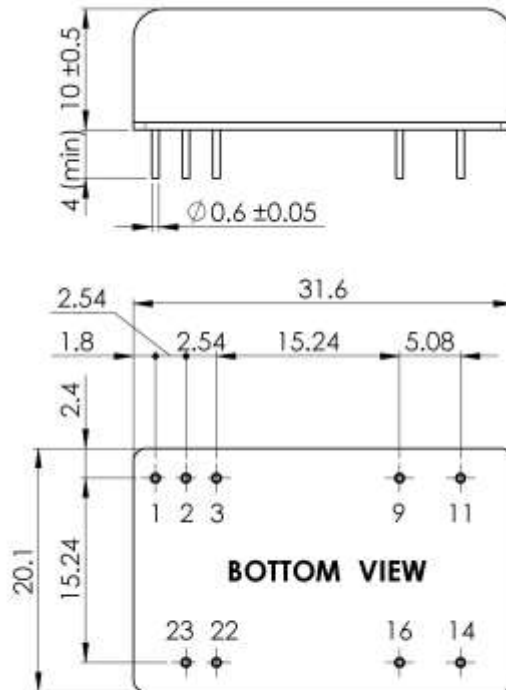
Part Number

**68DW10-** **24** **S** **03** **R** **NL**  
**A** **B** **C** **D** **E** **F**



- A: Series**
- B: Input Voltage**
- C: Single(S)**
- D: Output Voltage**
- E: Regulated(R)**
- F: RoHS Version**

Outline Dimensions

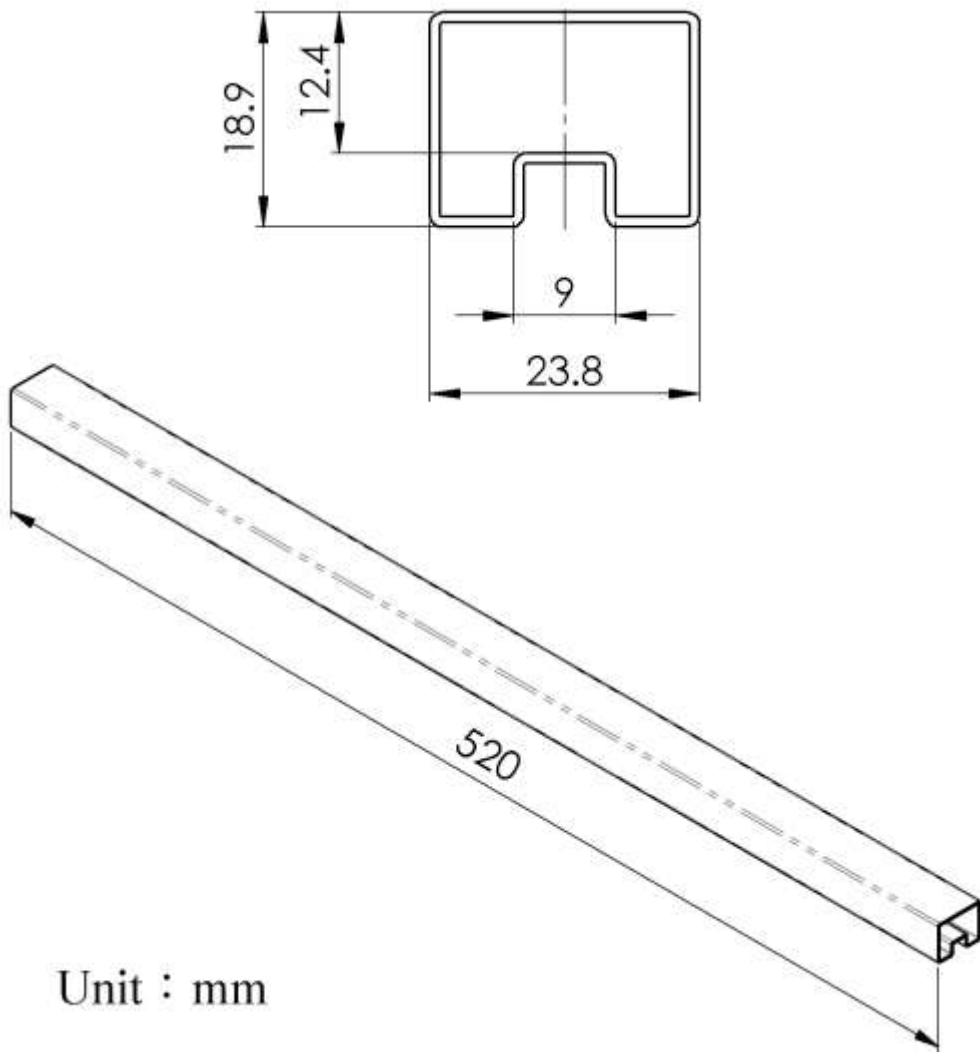


Unit : mm  
 Tolerance : XX.X ± 0.5 , XX.XX ± 0.25

PIN Assignment

PIN	1	2.3	9	11	14	16	22.23
FUNCTION	Remote On/Off	-Vin	No con.	No con.	+Vout	-Vout	+Vin

**Packing Formation**



<b>Weight</b>	<b>: 17.5 grams/pcs</b>
<b>Tube</b>	<b>: 15 pcs</b>