

**Features**

- 10 WATT DIL PACKAGE
- EFFICIENCY TO 86%
- PI INPUT FILTER
- 100% BURNED IN
- UL 94V-0 PACKAGE MATERIAL
- CUSTOMIZED SOLUTIONS AVAILABLE
- REGULATED OUTPUT TYPE
- Remote Control: On/Off



**10 Watt DC/DC  
Converter**

WIDE INPUT VOLTAGE RANGE

10 WATT DC-DC CONVERTERS

**Input Specifications**

Input Voltage	:24Vdc
Input Voltage Range	:9~36Vdc

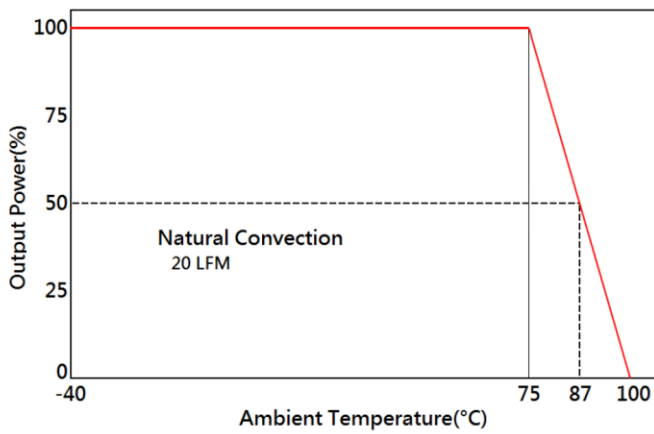
**Output Specifications**

Output Voltage	:12Vdc	
Output Voltage Accuracy	: ±2%	@11.76~12.24Vdc @Vin=9~36Vdc
Output Current	:830mA	
Efficiency	:86% TYP.	@Vin=24Vdc
Ripple / Noise	:100mVp-p MAX.	@20MHz Bandwidth
Short Circuit Protection	: Continuous	@Hiccup, auto-recovery
Line Regulation	: ±0.5% MAX.	@ Full Load
Load Regulation	: ±0.5% MAX.	@25%F. L TO 100%F. L

**General Specifications**

Operating Temperature Range	: -40°C ~ +87°C (with derating)	Output load derate 4% per degree Celsius above 75°C as refer to temperature derating graph.
Storage Temperature	: -55°C ~ +125°C	
Switching Frequency	:400KHz TYP.	
Humidity	:95% MAX.	
Isolation Voltage	:1500Vdc	
Isolation Resistance	:1000MΩ MIN.	
Cooling	: Natural Convection	@20LFM
MTBF	:>=560000 Hours	MIL-HDBK-217F@25°C, Ground Benign.
Case Material	: Six-side shielded case	
Weight	:16.5g TYP	

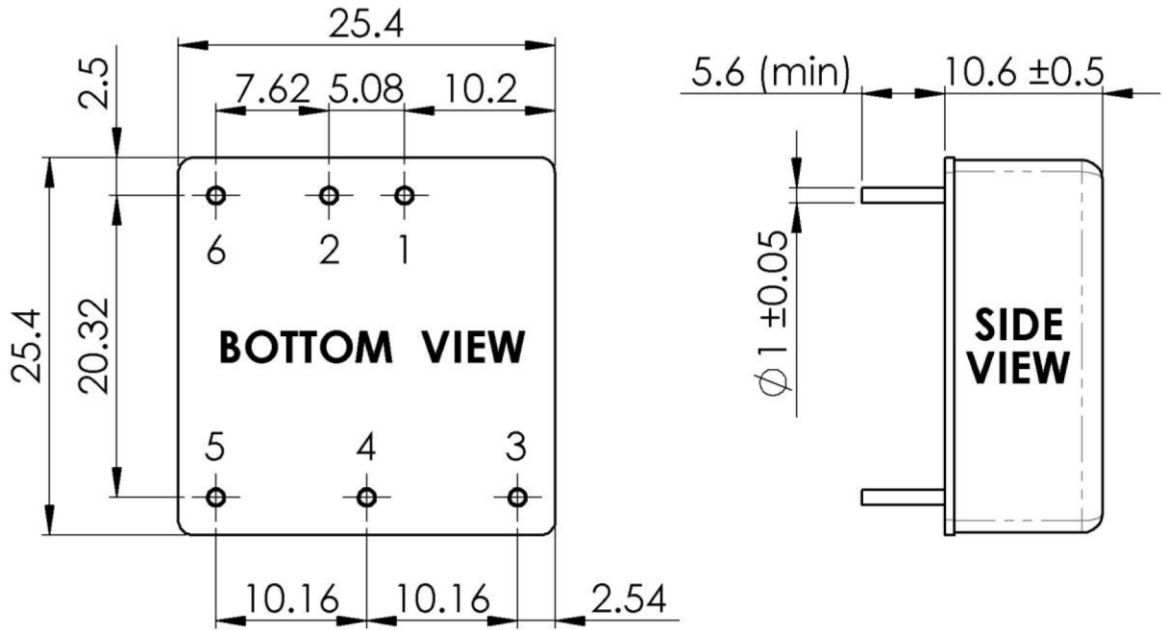
**Temperature Derating Graph** **Part Number**



**68DW10-**  
**A**      **24**    **S**    **12**    **R**    **6**    **PT**  
**B**      **C**      **D**      **E**      **F**      **G**

- A: Series**
- B: Input Voltage**
- C: Single Output**
- D: Output Voltage**
- E: Regulated(R)**
- F: Package**
- G: NO Trim PIN**

**Outline Dimensions**

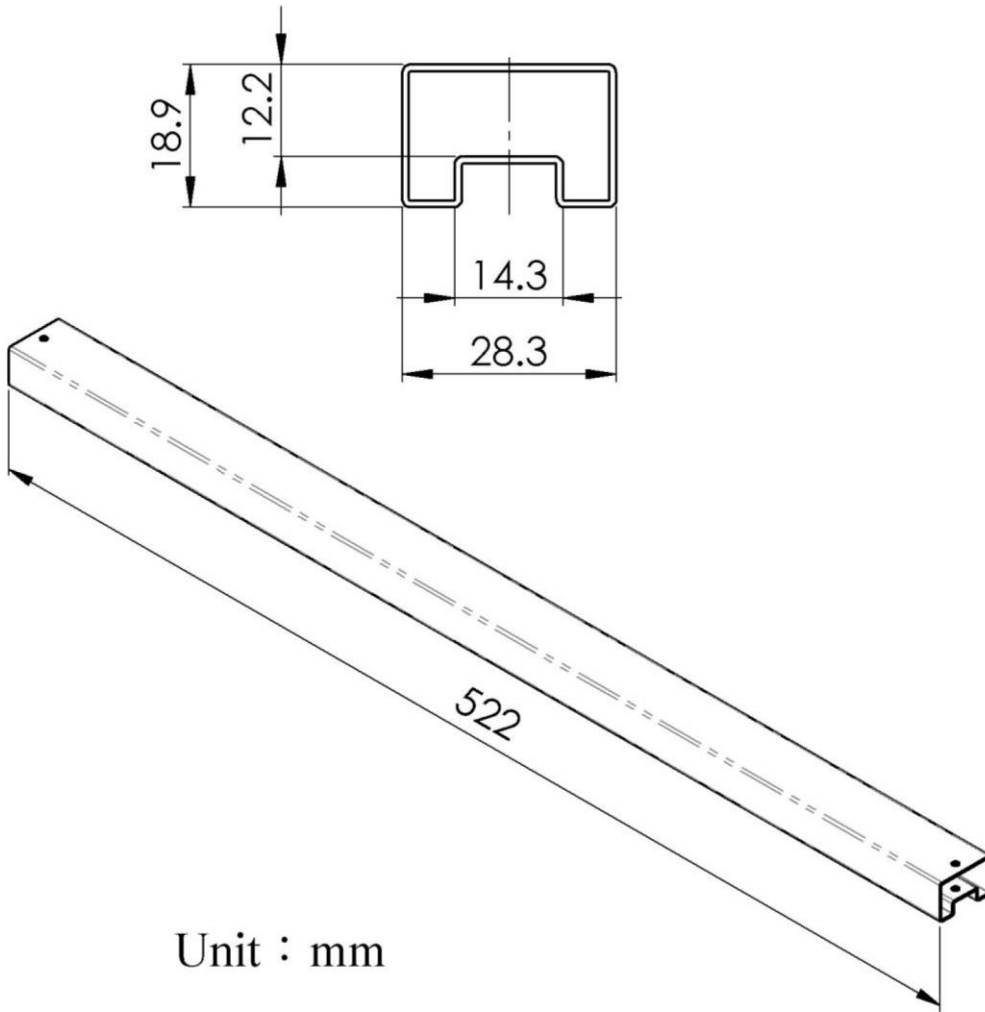


Unit : mm  
 Tolerance : XX.X ± 0.5 , XX.XX ± 0.25

**PIN Assignment**

PIN	1	2	3	4	5	6
FUNCTION	+Vin	-Vin	+Vout	NO PIN	-Vout	Remote On/Off

Packing Formation



Unit : mm

<b>Weight</b>	<b>: 16.5 grams/pcs</b>
<b>TUBE</b>	<b>: 19 pcs</b>